



Chipsmall Limited consists of a professional team with an average of over 10 year of expertise in the distribution of electronic components. Based in Hongkong, we have already established firm and mutual-benefit business relationships with customers from,Europe,America and south Asia,supplying obsolete and hard-to-find components to meet their specific needs.

With the principle of "Quality Parts,Customers Priority,Honest Operation,and Considerate Service",our business mainly focus on the distribution of electronic components. Line cards we deal with include Microchip,ALPS,ROHM,Xilinx,Pulse,ON,Everlight and Freescale. Main products comprise IC,Modules,Potentiometer,IC Socket,Relay,Connector.Our parts cover such applications as commercial,industrial, and automotives areas.

We are looking forward to setting up business relationship with you and hope to provide you with the best service and solution. Let us make a better world for our industry!



## Contact us

Tel: +86-755-8981 8866 Fax: +86-755-8427 6832

Email & Skype: info@chipsmall.com Web: www.chipsmall.com

Address: A1208, Overseas Decoration Building, #122 Zhenhua RD., Futian, Shenzhen, China



**Pb** THIS PRODUCT MANUFACTURED WITH LEAD-FREE PROCESSING

**DESIGNED & DIMENSIONED IN MILLIMETERS [INCHES]**

SCRES-X-XX.XX-XX-C5E

**PLATING SPECIFICATION**

-G: .000050" GOLD ON CONTACT AREAS, NICKEL ON SHELLS

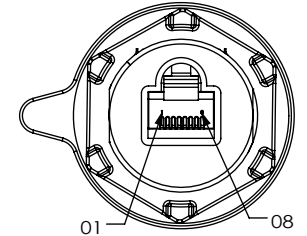
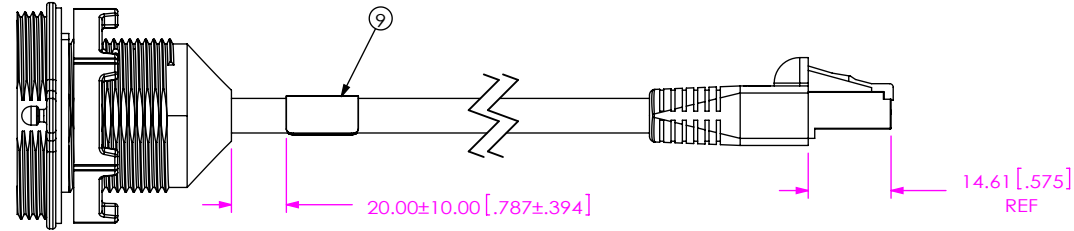
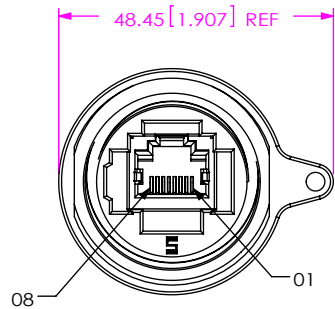
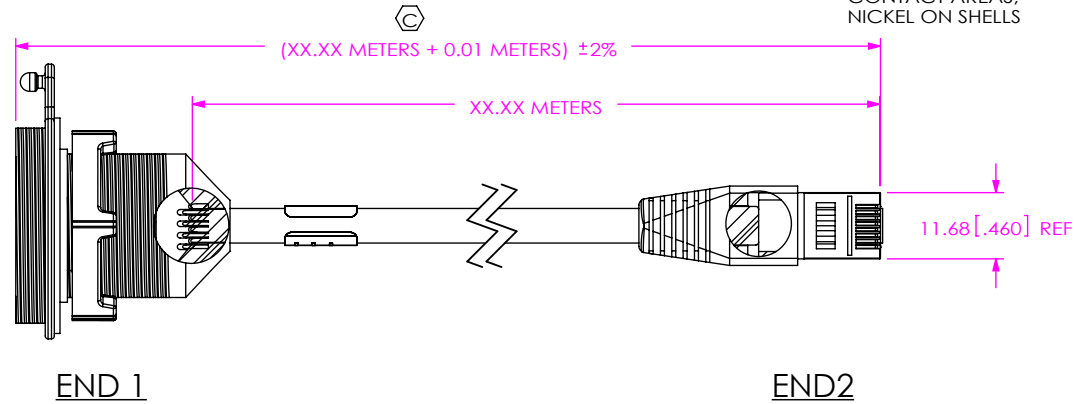
**END OPTION**

-D: DOUBLE ENDED (ONE END SEALED) (SEE FIG.1, SHT. 1)  
-BC: BLUNT CUT (SEE FIG.2, SHT. 2)

**LENGTH**

-XX.XX (IN METERS) (0.17M MIN - 50.00M MAX)

DO NOT SCALE FROM THIS PRINT



**FIG 1**  
SCRES-G-XX.XX-D-C5E

**NOTES:**

1. REPRESENTS A CRITICAL DIMENSION.
2. ASSEMBLY TO BE 100% TESTED TO CAT5e USING FLUKE DTX-1800 CABLE ANALYZER, AFTER FINAL ELECTRICAL TEST, LABELED. FOR BLUNT CUT OPTION, A LABEL WILL BE BE APPLIED TO BOTH ENDS.
3. NOTE DELETED.
4. PANEL THICKNESS: 0.8[.03] - 5.2[.20].
5. PANEL NUT TORQUE SPECIFICATION: 12 IN-LB.
6. PART MUST SCREW INTO SAMTEC PART # SCN-17-01.
7. PART MUST SCREW INTO SAMTEC PART # SPN-17-01
8. FLAT REQUIRED AT PARTING LINE OF CAMS TO AVOID DRAGGING THREADS.
9. NOTE DELETED.
10. ALL IDENTIFICATION MARKS MUST NOT STAND GREATER THAN 0.051 [.002] OFF THE SURFACE OF THE PART.
11. MOLD TO BE INSERTED TO ACCEPT DIFFERENT CABLE DIAMETERS.
12. ALL EJECTOR PIN AND GATE LOCATIONS MUST BE APPROVED BY SAMTEC PRODUCT ENGINEERING.
13. ANY ADDITIONAL VOIDING AND/OR MODIFICATIONS TO VOIDING MUST BE APPROVED BY SAMTEC PRODUCT ENGINEERING.
14. SAMTEC LOGO SHALL APPEAR ON SURFACE SHOWN, APPROXIMATELY 1.88 X 3.00.
15. COMPONENTS OF ASSEMBLY TO BE INSPECTED USING COMPONENT PRINTS.
16. ASSEMBLY TO BE PACKAGED IN BULK.
17. NOTE DELETED.

| SCRES-G-XX-XX-D-C5E BOM |                       |      |               |
|-------------------------|-----------------------|------|---------------|
| ITEM NO.                | PART NUMBER           | QTY  | DESCRIPTION   |
| 1                       | ECA-02-02             | XX.X | CABLE         |
| 2                       | MODS-A-8P8C-E-01-S-C5 | 1    | CONNECTOR     |
| 3                       | PCB-101555-01         | 1    | PCB           |
| 4                       | MD-PTC-RF-640-BK      | 1    | PREMOLD       |
| 5                       | MD-NYL-ZY-80G14-BK    | 1    | OVERMOLD      |
| 6                       | OR-17-01              | 1    | O-RING        |
| 7                       | SPG-17-01             | 1    | GASKET        |
| 8                       | SPN-17-01             | 1    | NUT           |
| 9                       | LABEL-ET              | 1    | LABEL         |
| 10                      | ETHB-02               | 1    | ETHERNET BOOT |
| 11                      | MODP-01-8P8C-S-01     | 1    | CONNECTOR     |

UNLESS OTHERWISE SPECIFIED, DIMENSIONS ARE IN MILLIMETERS.

**TOLERANCES ARE:**

DECIMALS ANGLES  
X.X: ±0.35[.014] 2°  
X.XX: ±0.25[.010]  
X.XXX: ±0.15[.0060]

**PROPRIETARY NOTE**

THIS DOCUMENT CONTAINS CONFIDENTIAL AND PROPRIETARY INFORMATION AND ALL DESIGN, MANUFACTURING, REPRODUCTION, USE, PATENT RIGHTS AND SALES RIGHTS ARE EXPRESSLY RESERVED BY SAMTEC, INC. THIS DOCUMENT SHALL NOT BE DISCLOSED, IN WHOLE OR PART, TO ANY UNAUTHORIZED PERSON OR ENTITY NOR REPRODUCED, TRANSFERRED OR INCORPORATED IN ANY OTHER PROJECT IN ANY MANNER WITHOUT THE EXPRESS WRITTEN CONSENT OF SAMTEC, INC.



520 PARK EAST BLVD, NEW ALBANY, IN 47150  
PHONE: 812-944-6733 FAX: 812-948-5047  
e-Mail: info@SAMTEC.com code: 55322

**MATERIAL:** DO NOT SCALE DRAWING SHEET SCALE: 1:1.53846

CABLE: PVC, COPPER  
CONNECTOR: PBT, COPPER ALLOY  
O-RING: SILICONE  
PCB: FR4, COPPER  
OVERMOLD, NUT: NYLON  
PREMOLD: TPE

F:\DWG\MISC\MKTG\SCRES-X-XX.XX-XX-C5E-MKT.SLDDRW

**DESCRIPTION:**  
SEALED CIRCULAR RECEPTACLE, ETHERNET

DWG. NO.  
**SCRES-X-XX.XX-XX-C5E**

BY: CHADP 3/17/2009 SHEET 1 OF 6

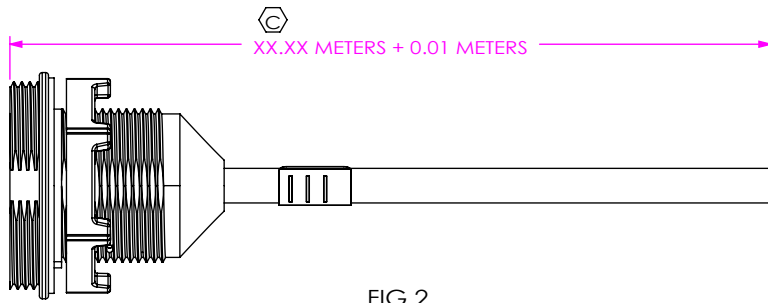
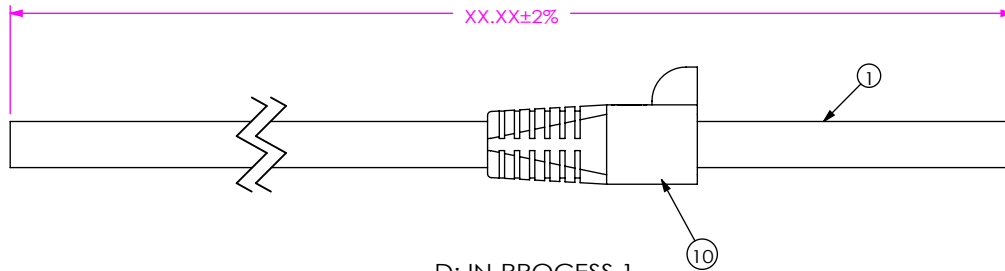
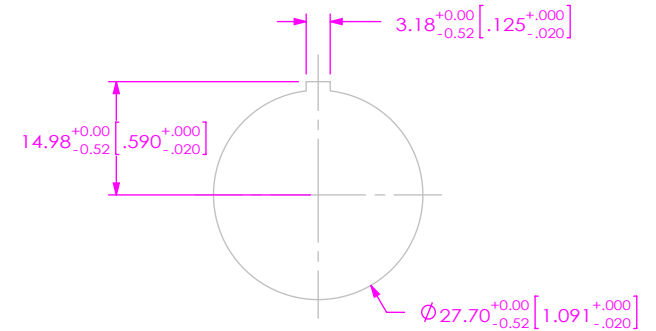


FIG 2  
SCRES-G-XX.XX-BC-C5E  
(SAME AS FIG 1 UNLESS OTHERWISE STATED)

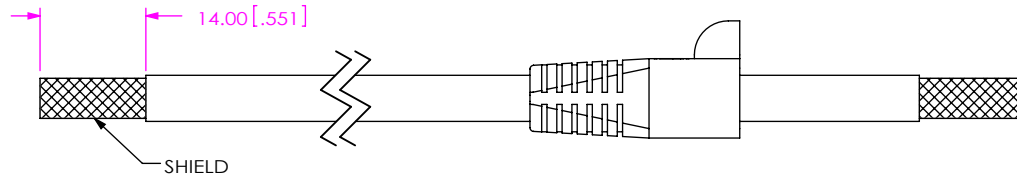
| SCRES-G-XX.XX-BC-C5E BOM |                       |      |             |
|--------------------------|-----------------------|------|-------------|
| ITEM NO.                 | PART NUMBER           | QTY  | DESCRIPTION |
| 1                        | ECA-02-02             | XX.X | CABLE       |
| 2                        | MODS-A-8P8C-E-01-S-C5 | 1    | CONNECTOR   |
| 3                        | PCB-101555-01         | 1    | PCB         |
| 4                        | MD-PTC-RF-640-BK      | 1    | PREMOLD     |
| 5                        | MD-NYL-ZY-80G14-BK    | 1    | OVERMOLD    |
| 6                        | OR-17-01              | 1    | O-RING      |
| 7                        | SPG-17-01             | 1    | GASKET      |
| 8                        | SPN-17-01             | 1    | NUT         |
| 9                        | LABEL-ET              | 1    | LABEL       |



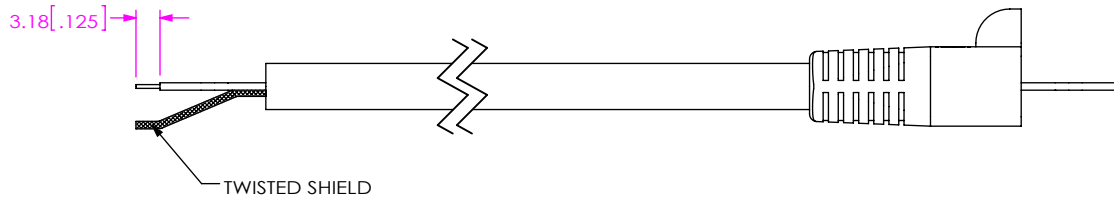
-D: IN-PROCESS 1  
CUT CABLE TO LENGTH  
& ADD ETHERNET BOOT



RECOMMENDED PANEL HOLE  
(SEE NOTE 4)



-D: IN-PROCESS 2  
STRIP OUTER JACKET TO DIMENSION SHOWN



-D: IN-PROCESS 3  
END 1: TWIST SHIELD TO FORM SINGLE CONDUCTOR.  
STRIP INDIVIDUAL WIRES TO DIMENSION SHOWN & TIN DIP  
END 2: FOLD BACK SHIELD

**PROPRIETARY NOTE**  
THIS DOCUMENT CONTAINS CONFIDENTIAL AND PROPRIETARY INFORMATION AND ALL DESIGN, MANUFACTURING, REPRODUCTION, USE, PATENT RIGHTS AND SALES RIGHTS ARE EXPRESSLY RESERVED BY SAMTEC, INC. THIS DOCUMENT SHALL NOT BE DISCLOSED, IN WHOLE OR PART, TO ANY UNAUTHORIZED PERSON OR ENTITY NOR REPRODUCED, TRANSFERRED OR INCORPORATED IN ANY OTHER PROJECT IN ANY MANNER WITHOUT THE EXPRESS WRITTEN CONSENT OF SAMTEC, INC.

DO NOT SCALE DRAWING

SHEET SCALE: 1:1



520 PARK EAST BLVD, NEW ALBANY, IN 47150  
PHONE: 812-944-6733 FAX: 812-948-5047  
e-Mail: info@SAMTEC.com code: 55322

DESCRIPTION:  
SEALED CIRCULAR RECEPTACLE, ETHERNET  
DWG. NO.

SCRES-X-XX.XX-XX-C5E

BY: CHADP 3/17/2009 SHEET 2 OF 6



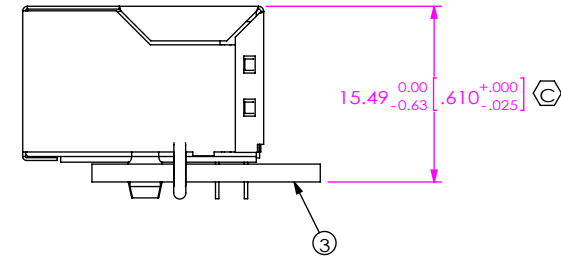
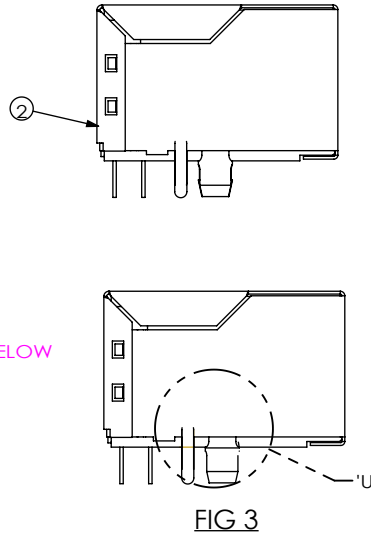
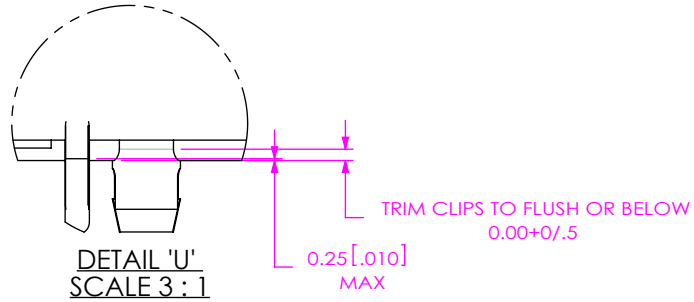
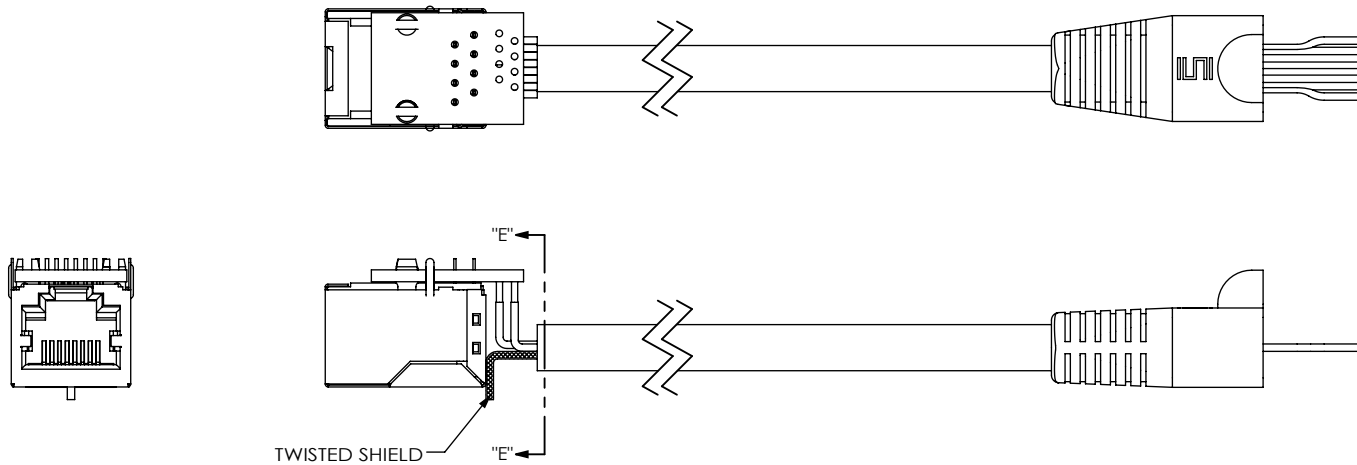


FIG4  
CONNECTOR SOLDERED TO PCB

-D: IN-PROCESS 4  
SHEAR SHIELD TABS AND ALIGNMENT PINS  
FLUSH WITH BOTTOM OF CONNECTOR  
ADD SOLDER TO PCB

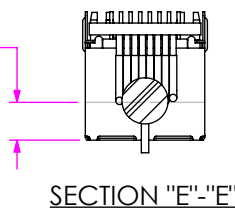


-D: IN-PROCESS 5  
TERMINATE CABLE TO PCB, BRAID TO CONNECTOR SHIELD

**TABLE 2 - PIN-OUT**

| J1 POS | COLOR        |          |
|--------|--------------|----------|
| 01     | WHITE/ORANGE | TWISTING |
| 02     | ORANGE       |          |
| 03     | WHITE/GREEN  | TWISTING |
| 04     | BLUE         |          |
| 05     | WHITE/BLUE   | TWISTING |
| 06     | GREEN        |          |
| 07     | WHITE/BROWN  | TWISTING |
| 08     | BROWN        |          |
| SHELL  | BRAID        |          |

3.59 [.141] MAX  
(SHIELD TO BE SOLDERED IN  
THIS AREA)



**PROPRIETARY NOTE**  
THIS DOCUMENT CONTAINS CONFIDENTIAL AND PROPRIETARY INFORMATION AND ALL DESIGN, MANUFACTURING, REPRODUCTION, USE, PATENT RIGHTS AND SALES RIGHTS ARE EXPRESSLY RESERVED BY SAMTEC, INC. THIS DOCUMENT SHALL NOT BE DISCLOSED, IN WHOLE OR PART, TO ANY UNAUTHORIZED PERSON OR ENTITY NOR REPRODUCED, TRANSFERRED OR INCORPORATED IN ANY OTHER PROJECT IN ANY MANNER WITHOUT THE EXPRESS WRITTEN CONSENT OF SAMTEC, INC.

DO NOT SCALE DRAWING

SHEET SCALE: 1:1

**samtec**

520 PARK EAST BLVD, NEW ALBANY, IN 47150  
PHONE: 812-944-6733 FAX: 812-948-5047  
e-Mail: info@SAMTEC.com code: 55322

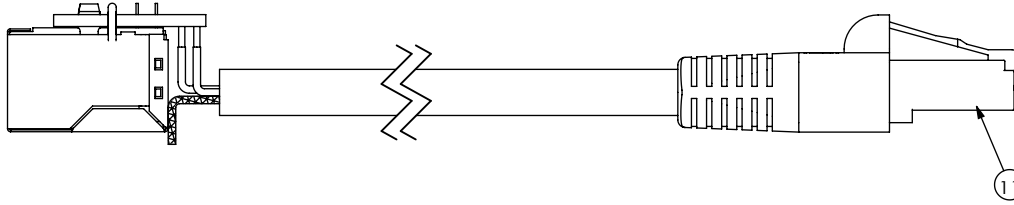
DESCRIPTION:  
SEALED CIRCULAR RECEPTACLE, ETHERNET

DWG. NO.

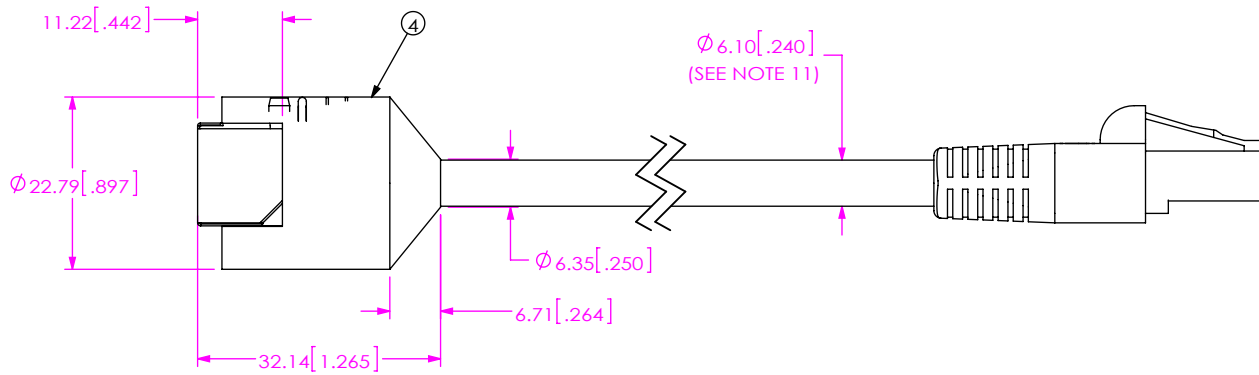
SCRES-X-XX.XX-XX-C5E

BY: CHADP 3/17/2009 SHEET 3 OF 6

| TABLE 3 - PIN-OUT |              |        |
|-------------------|--------------|--------|
| J1 POS            | COLOR        | J2 POS |
| 01                | WHITE/ORANGE | 01     |
| 02                | ORANGE       | 02     |
| 03                | WHITE/GREEN  | 03     |
| 04                | BLUE         | 04     |
| 05                | WHITE/BLUE   | 05     |
| 06                | GREEN        | 06     |
| 07                | WHITE/BROWN  | 07     |
| 08                | BROWN        | 08     |
| SHELL             | BRAID        | SHELL  |



-D: IN-PROCESS 6  
TERMINATE  
(SEE NOTE 2)



-D: IN-PROCESS 7  
ADD PREMOLD

F:\DWG\MISC\MKTG\SCRES-X-XX-XX-XX-C5E-MKT.SLDDRW

**PROPRIETARY NOTE**  
THIS DOCUMENT CONTAINS CONFIDENTIAL AND PROPRIETARY INFORMATION AND ALL DESIGN, MANUFACTURING, REPRODUCTION, USE, PATENT RIGHTS AND SALES RIGHTS ARE EXPRESSLY RESERVED BY SAMTEC, INC. THIS DOCUMENT SHALL NOT BE DISCLOSED, IN WHOLE OR PART, TO ANY UNAUTHORIZED PERSON OR ENTITY NOR REPRODUCED, TRANSFERRED OR INCORPORATED IN ANY OTHER PROJECT IN ANY MANNER WITHOUT THE EXPRESS WRITTEN CONSENT OF SAMTEC, INC.

DO NOT SCALE DRAWING

SHEET SCALE: 1:1

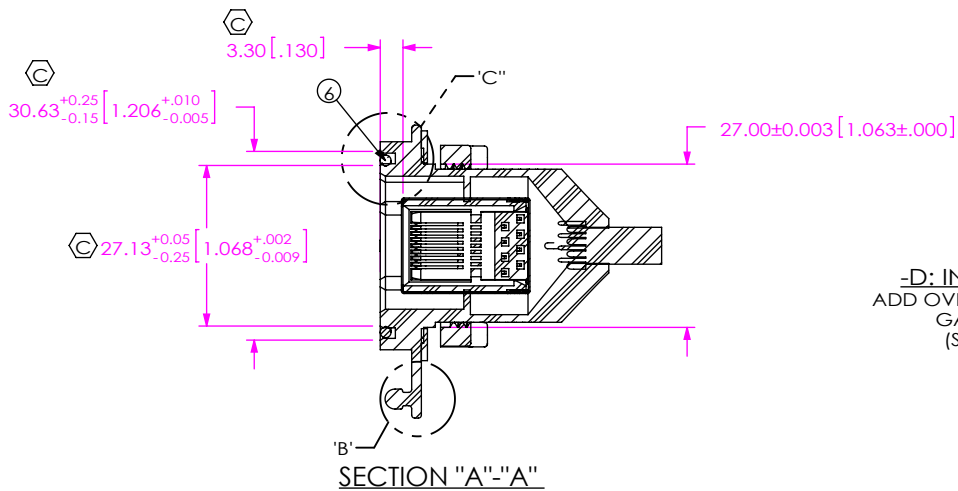
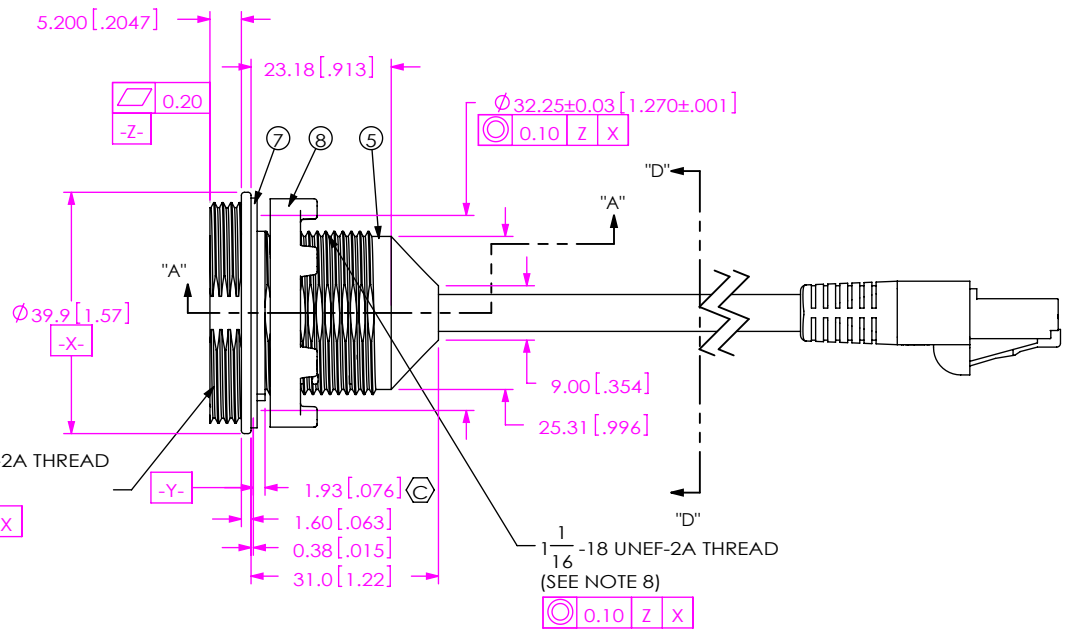
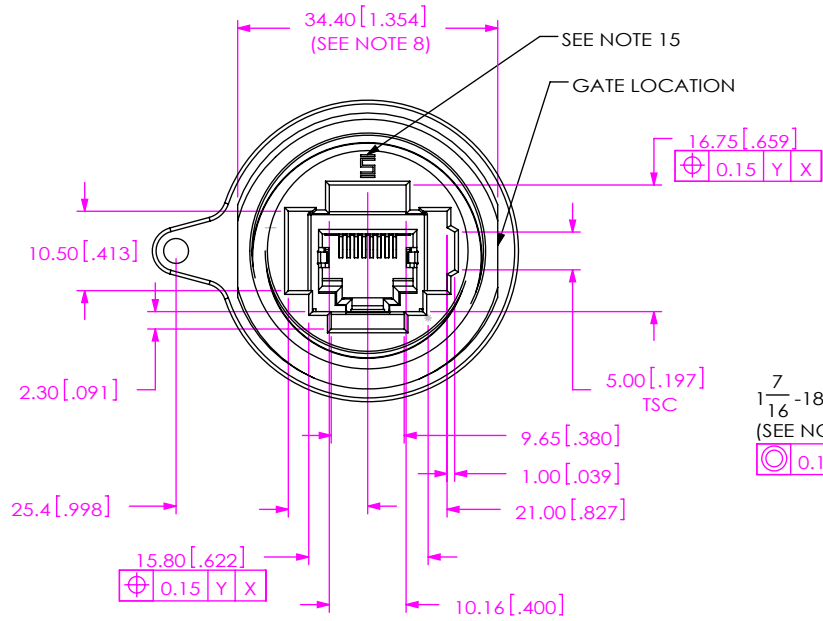


520 PARK EAST BLVD, NEW ALBANY, IN 47150  
PHONE: 812-944-6733 FAX: 812-948-5047  
e-Mail: info@SAMTEC.com code: 55322

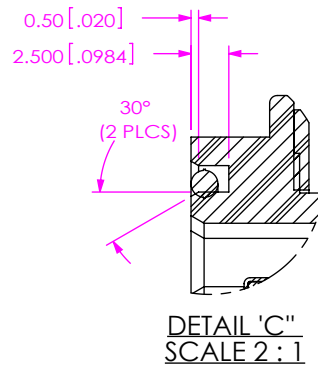
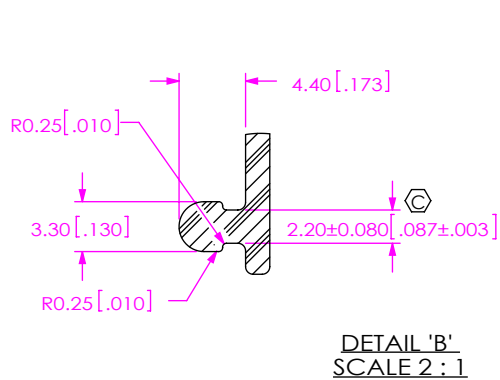
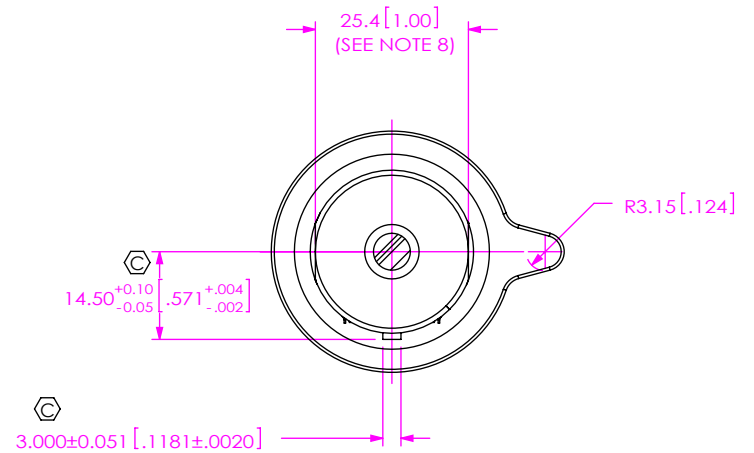
DESCRIPTION:  
SEALED CIRCULAR RECEPTACLE, ETHERNET  
DWG. NO.

**SCRES-X-XX-XX-XX-C5E**

BY: CHADP 3/17/2009 SHEET 4 OF 6

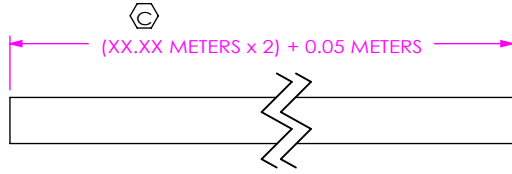


-D: IN-PROCESS 8  
ADD OVER MOLD, O-RING,  
GASKET & NUT  
(SEE NOTE 2)

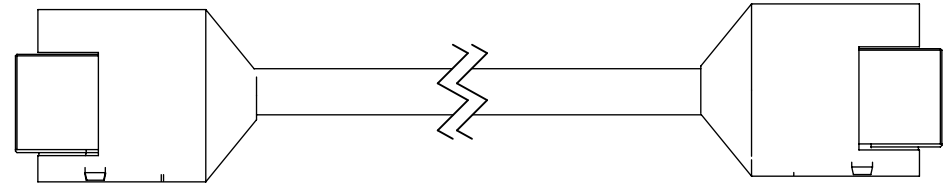


OR-17-01, SPG-17-01, & SPN-17-01  
REMOVED FOR CLARITY

|  |   |              |
|--|---|--------------|
| <p>PROPRIETARY NOTE</p> <p>THIS DOCUMENT CONTAINS CONFIDENTIAL AND PROPRIETARY INFORMATION AND ALL DESIGN, MANUFACTURING, REPRODUCTION, USE, PATENT RIGHTS AND SALES RIGHTS ARE EXPRESSLY RESERVED BY SAMTEC, INC. THIS DOCUMENT SHALL NOT BE DISCLOSED, IN WHOLE OR PART, TO ANY UNAUTHORIZED PERSON OR ENTITY NOR REPRODUCED, TRANSFERRED OR INCORPORATED IN ANY OTHER PROJECT IN ANY MANNER WITHOUT THE EXPRESS WRITTEN CONSENT OF SAMTEC, INC.</p> <p>DO NOT SCALE DRAWING</p> <p>SHEET SCALE: 1:1</p> |   |              |
|  | <p>520 PARK EAST BLVD, NEW ALBANY, IN 47150<br/>PHONE: 812-944-6733 FAX: 812-948-5047<br/>e-Mail: info@SAMTEC.com code: 55322</p> |              |
|  | <p>DESCRIPTION:<br/>SEALED CIRCULAR RECEPTACLE, ETHERNET</p>  |              |
|  | <p>DWG. NO. SCRES-X-XX.XX-XX-C5E</p>  |              |
| BY: CHADP  | 3/17/2009   | SHEET 5 OF 6 |



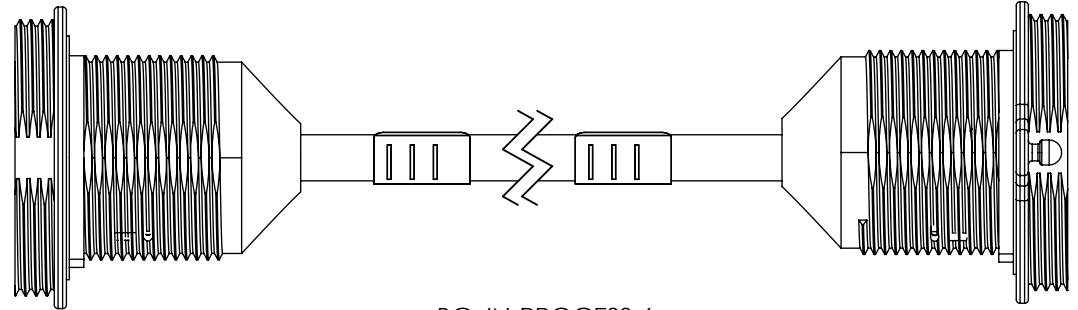
**-BC: IN-PROCESS 1**  
CUT CABLES TO LENGTH



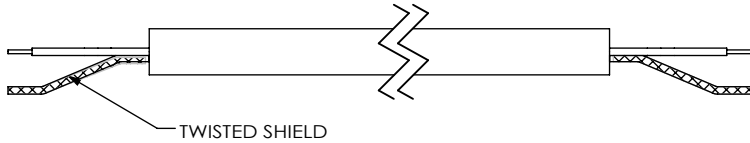
**-BC: IN-PROCESS 5**  
(SAME AS -D IN-PROCESS 7 UNLESS OTHERWISE STATED)



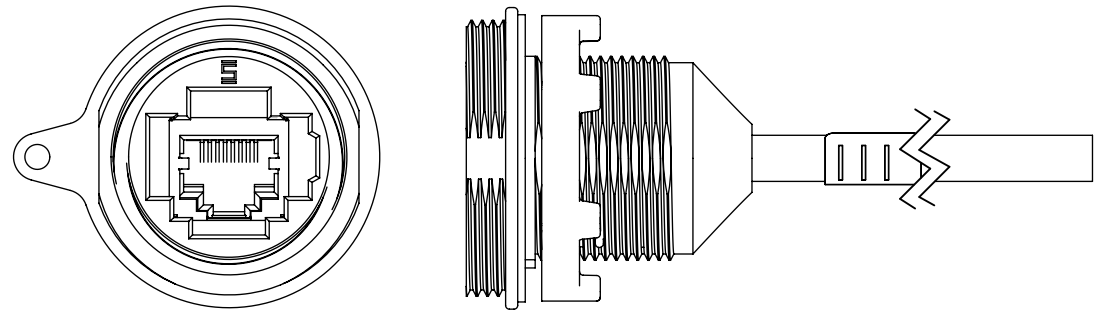
**-BC: IN-PROCESS 2**  
(SAME AS -D UNLESS OTHERWISE STATED)



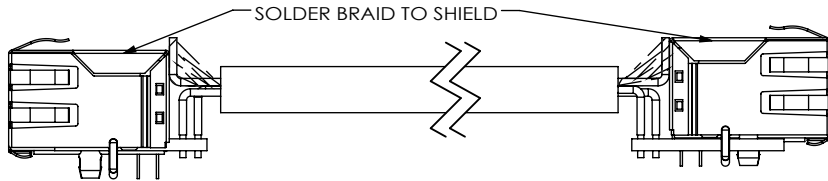
**-BC: IN-PROCESS 6**  
(SAME AS -D IN-PROCESS 8 UNLESS OTHERWISE STATED)  
(SEE NOTE 2)



**-BC: IN-PROCESS 3**  
(SAME AS -D UNLESS OTHERWISE STATED)



**-BC: IN-PROCESS 7**  
CUT IN HALF & TRIM TO LENGTH  
ADD O-RING, GASKET & NUT



**-BC: IN-PROCESS 4**  
(SAME AS -D UNLESS OTHERWISE STATED)

**PROPRIETARY NOTE**  
THIS DOCUMENT CONTAINS CONFIDENTIAL AND PROPRIETARY INFORMATION AND ALL DESIGN, MANUFACTURING, REPRODUCTION, USE, PATENT RIGHTS AND SALES RIGHTS ARE EXPRESSLY RESERVED BY SAMTEC, INC. THIS DOCUMENT SHALL NOT BE DISCLOSED, IN WHOLE OR IN PART, TO ANY UNAUTHORIZED PERSON OR ENTITY NOR REPRODUCED, TRANSFERRED OR INCORPORATED IN ANY OTHER PROJECT IN ANY MANNER WITHOUT THE EXPRESS WRITTEN CONSENT OF SAMTEC, INC.

DO NOT SCALE DRAWING

SHEET SCALE: 1:1



520 PARK EAST BLVD, NEW ALBANY, IN 47150  
PHONE: 812-944-6733 FAX: 812-948-5047  
e-Mail: info@SAMTEC.com code: 55322

DESCRIPTION:  
SEALED CIRCULAR RECEPTACLE, ETHERNET

DWG. NO.  
**SCRES-X-XX.XX-XX-C5E**

BY: CHADP 3/17/2009 SHEET 6 OF 6