



Chipsmall Limited consists of a professional team with an average of over 10 year of expertise in the distribution of electronic components. Based in Hongkong, we have already established firm and mutual-benefit business relationships with customers from,Europe,America and south Asia,supplying obsolete and hard-to-find components to meet their specific needs.

With the principle of "Quality Parts,Customers Priority,Honest Operation,and Considerate Service",our business mainly focus on the distribution of electronic components. Line cards we deal with include Microchip,ALPS,ROHM,Xilinx,Pulse,ON,Everlight and Freescale. Main products comprise IC,Modules,Potentiometer,IC Socket,Relay,Connector.Our parts cover such applications as commercial,industrial, and automotives areas.

We are looking forward to setting up business relationship with you and hope to provide you with the best service and solution. Let us make a better world for our industry!



Contact us

Tel: +86-755-8981 8866 Fax: +86-755-8427 6832

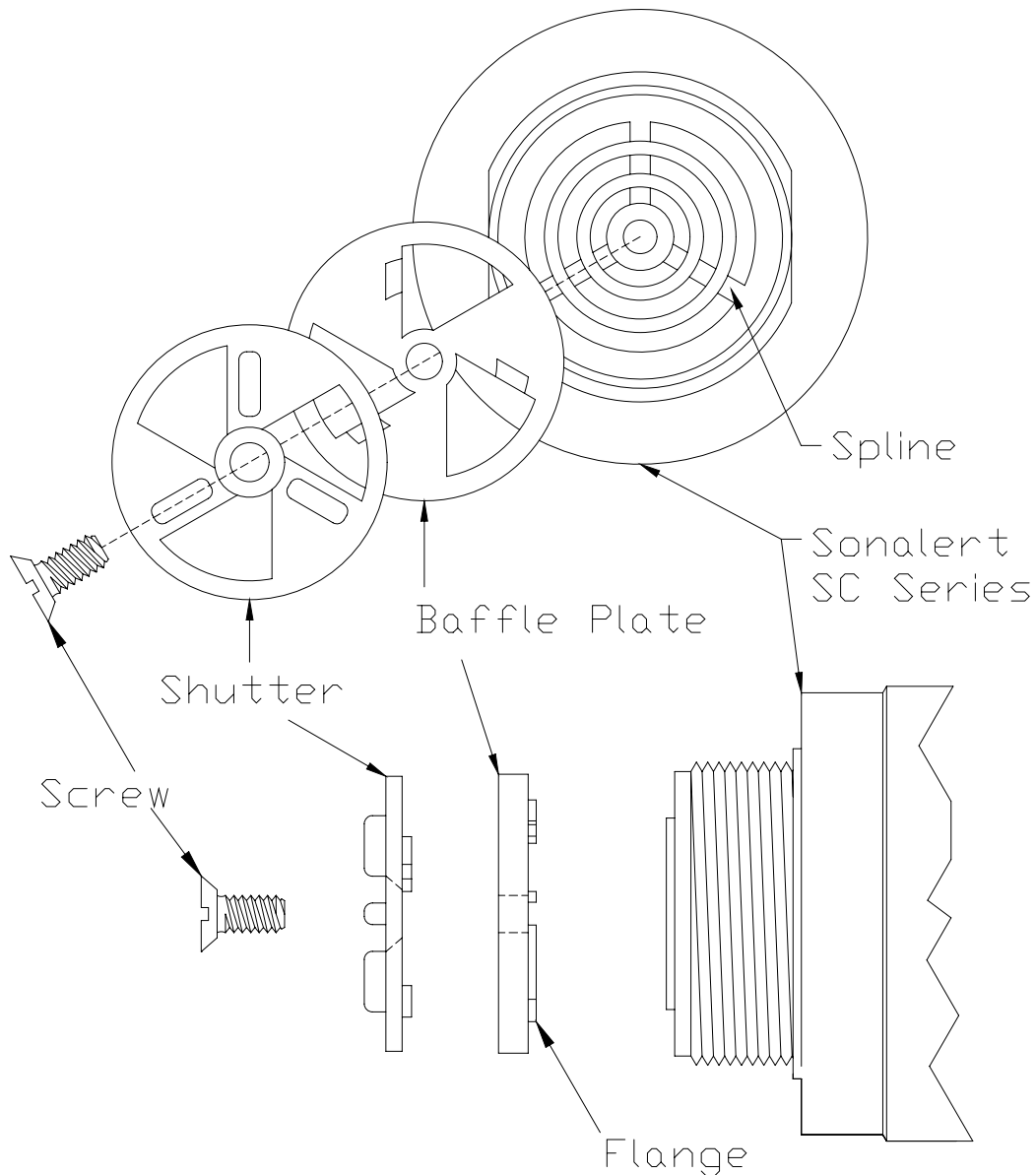
Email & Skype: info@chipsmall.com Web: www.chipsmall.com

Address: A1208, Overseas Decoration Building, #122 Zhenhua RD., Futian, Shenzhen, China



Manual Volume Control

Produces approximately -10dB to -15db attenuation



Instructions for Assembly:

1. Place flange on the baffle plate over the spline in the grill of the Sonalert.
2. Attach shutter to the baffle plate.
3. Insert Snap Rivet or Screw through the center hole of the shutter and baffle plate.
Snap Rivet: Push the Snap Rivet into the front center hole until it snaps tightly into place.
Screw: Secure the screw into the front center hole of the Sonalert. Do not over tighten.
4. Adjust volume by rotating the shutter