



Chipsmall Limited consists of a professional team with an average of over 10 year of expertise in the distribution of electronic components. Based in Hongkong, we have already established firm and mutual-benefit business relationships with customers from,Europe,America and south Asia,supplying obsolete and hard-to-find components to meet their specific needs.

With the principle of “Quality Parts,Customers Priority,Honest Operation,and Considerate Service”,our business mainly focus on the distribution of electronic components. Line cards we deal with include Microchip,ALPS,ROHM,Xilinx,Pulse,ON,Everlight and Freescale. Main products comprise IC,Modules,Potentiometer,IC Socket,Relay,Connector.Our parts cover such applications as commercial,industrial, and automotives areas.

We are looking forward to setting up business relationship with you and hope to provide you with the best service and solution. Let us make a better world for our industry!



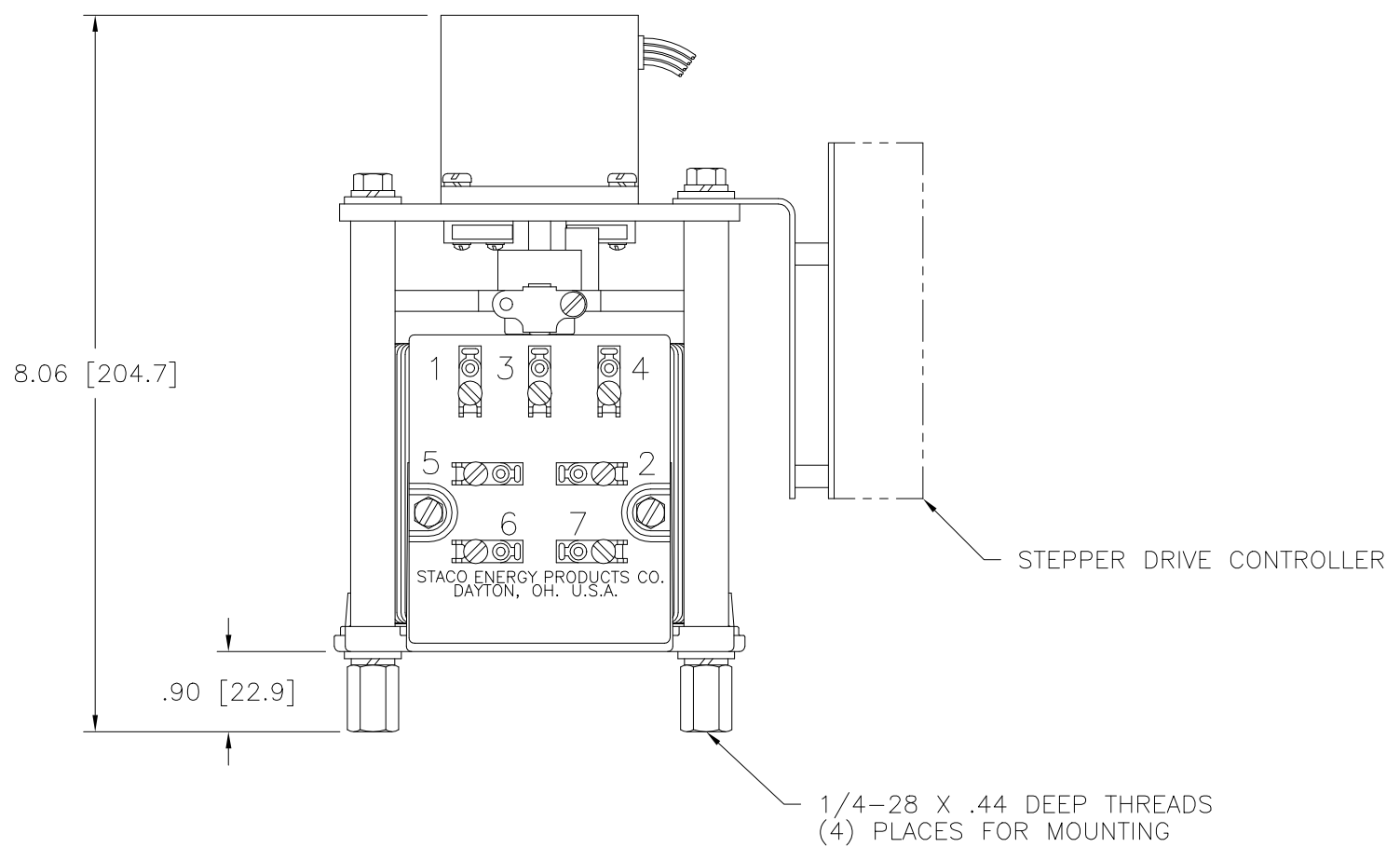
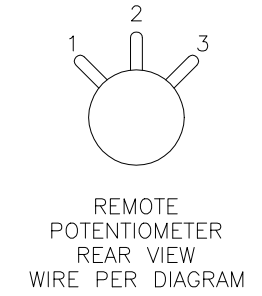
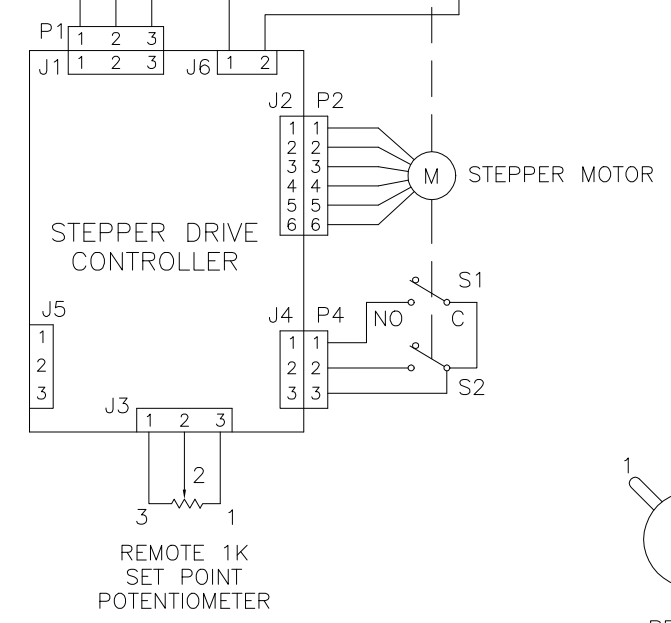
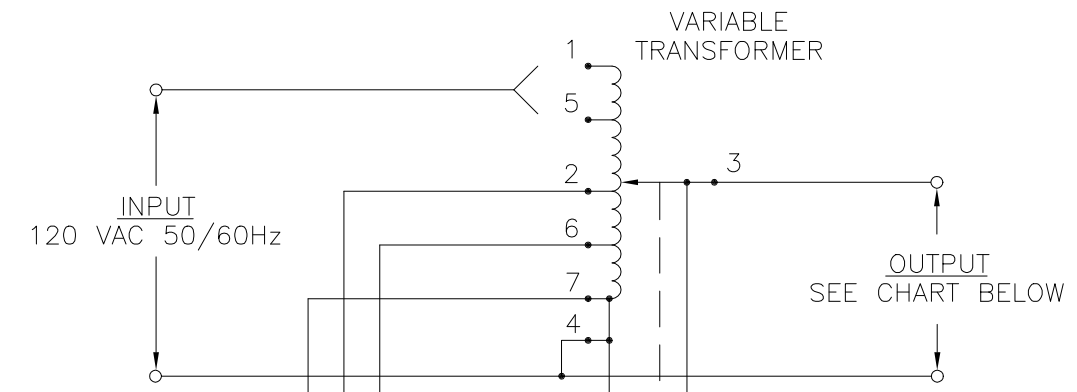
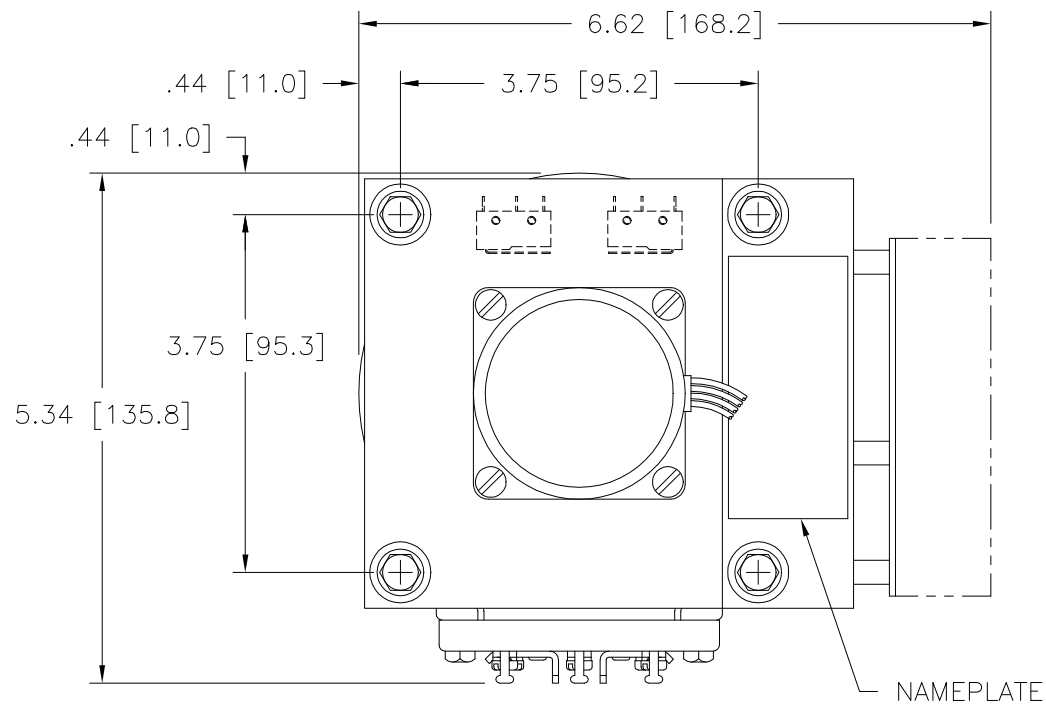
## Contact us

Tel: +86-755-8981 8866 Fax: +86-755-8427 6832

Email & Skype: info@chipsmall.com Web: www.chipsmall.com

Address: A1208, Overseas Decoration Building, #122 Zhenhua RD., Futian, Shenzhen, China





**SET POINT ADJUSTMENT:**  
 THE OUTPUT SET POINT MAY BE ADJUSTED WITH THE REMOTE 1K POTENTIOMETER PROVIDED OR WITH A 0-5 VDC SIGNAL TO THE J3 CONNECTOR ON THE STEPPER DRIVE CONTROL. MAKE CONNECTIONS TO J3-2(+) & J3-3(-). A NOMINAL +5 VDC SETPOINT SUPPLY IS AVAILABLE AT J3-1 (ADJUSTABLE AT TRIMPOT R22).

SPECIFICATIONS									
WIRING	INPUT		OUTPUT				TERMINAL CONNECTIONS		
	VOLTS	HERTZ	VOLTS	CONSTANT CURRENT LOAD		CONSTANT IMPEDANCE LOAD		INPUT	OUTPUT
				MAX. AMPS	MAX. KVA	MAX. AMPS	MAX. KVA		
SINGLE PHASE	120	50/60	0-120	10	1.2	13	1.56	1-4	4-3
			0-140	10	1.4	-	-	5-4	4-3

UNLESS OTHERWISE SPECIFIED, TOLERANCE IS #				UNITS		TITLE: SPEC. CONTROL DRAWING					
DECIMALS	Holes	ANGLES	DRAFT	IN [mm]		STEPPER DRIVEN VARIABLE TRANSFORMER MODEL SD1010					
.XX	.0005-.0010	1°	1-1/2°	ALL DIMENSIONS APPLY AFTER PLATING		DRAWN BY S.A. SMITH DATE 12/11/95 FIRST USED ON DO NOT SCALE DWG.					
MATERIAL:				CHECKER		DATE		WEIGHT APPROX.		CODE IDENT. NO. 83008	
The information and design disclosed herein was originated by and is the property of STACO ENERGY PRODUCTS CO., which reserves all patent, proprietary, design, manufacturing, reproduction, use and sale rights thereto, and to any article disclosed therein except to the extent rights are expressly granted to others. The foregoing does not apply to vendor proprietary parts.				ENGINEER		DATE		SCALE 1=1		SHEET 1 OF 1	
				CUSTOMER APPROVAL		DATE		DWG. NO. 095-1803		D	

