



Chipsmall Limited consists of a professional team with an average of over 10 year of expertise in the distribution of electronic components. Based in Hongkong, we have already established firm and mutual-benefit business relationships with customers from,Europe,America and south Asia,supplying obsolete and hard-to-find components to meet their specific needs.

With the principle of “Quality Parts,Customers Priority,Honest Operation,and Considerate Service”,our business mainly focus on the distribution of electronic components. Line cards we deal with include Microchip,ALPS,ROHM,Xilinx,Pulse,ON,Everlight and Freescale. Main products comprise IC,Modules,Potentiometer,IC Socket,Relay,Connector.Our parts cover such applications as commercial,industrial, and automotives areas.

We are looking forward to setting up business relationship with you and hope to provide you with the best service and solution. Let us make a better world for our industry!



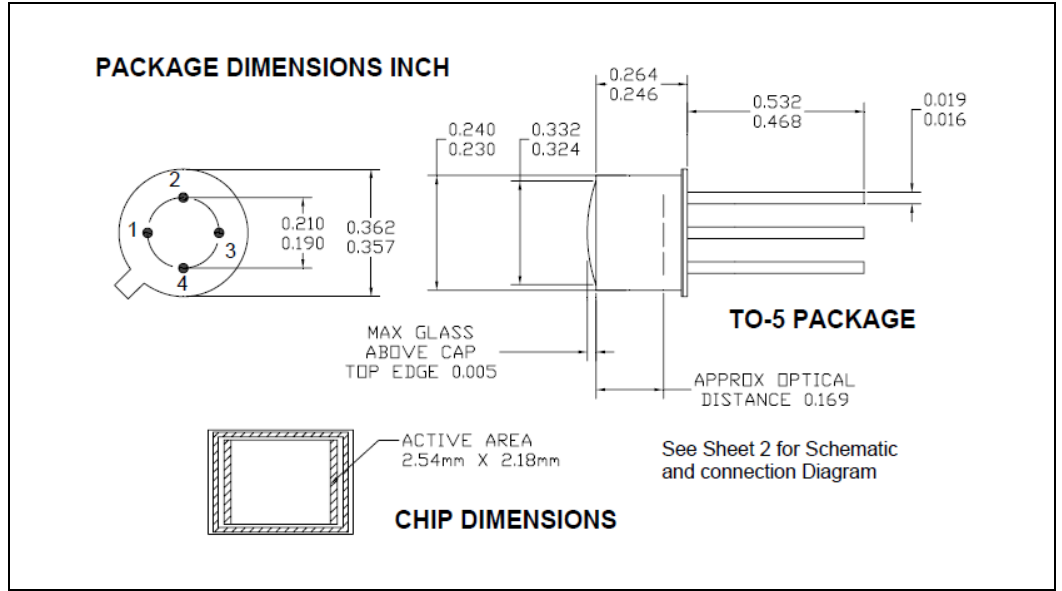
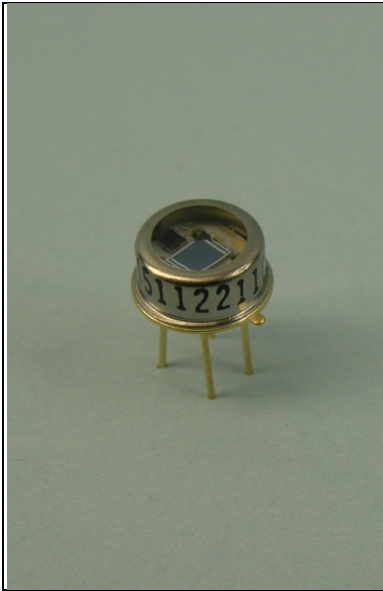
Contact us

Tel: +86-755-8981 8866 Fax: +86-755-8427 6832

Email & Skype: info@chipsmall.com Web: www.chipsmall.com

Address: A1208, Overseas Decoration Building, #122 Zhenhua RD., Futian, Shenzhen, China





DESCRIPTION

The **SD 112-43-11-221** is a detector/amplifier hybrid that combines a silicon photodiode with an opamp with a feedback resistor and capacitor, available in a hermetic TO-5 metal can package.

FEATURES

- Low Noise
- Red Enhanced
- Feedback Circuit

RELIABILITY

Contact Luna for recommendations on specific test conditions and procedures.

APPLICATIONS

- Instrumentation
- Medical
- Industrial



ABSOLUTE MAXIMUM RATINGS

SYMBOL	MIN	TYPE	MAX	UNITS	
Voltage Supplies	±5	-	±15	V	T _a = 23°C UNLESS OTHERWISE NOTED
Power Dissipation	-	360	-	mW	-
Storage Temperature	-25	-	+100	°C	-
Soldering Temperature*	-	+240	-	°C	-

* 1/16 inch from case for 3 seconds max.

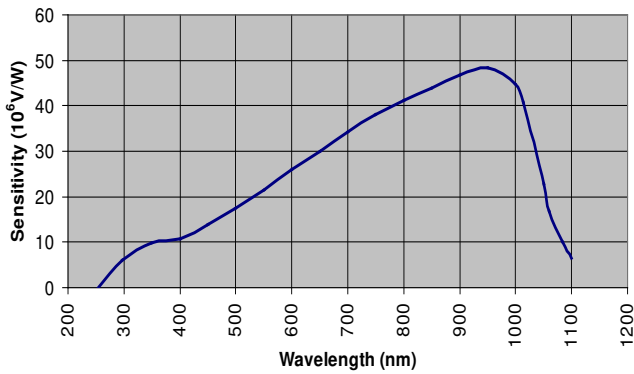
OPTO-ELECTRICAL PARAMETERS

T_a = 23°C UNLESS NOTED OTHERWISE

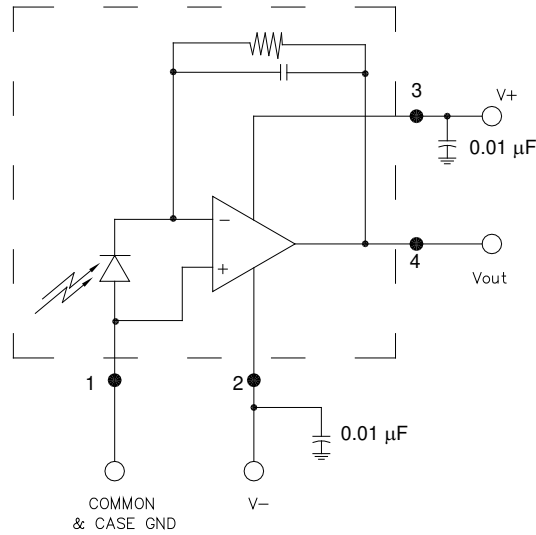
PARAMETER	TEST CONDITIONS	MIN	TYP	MAX	UNITS
Cutoff Frequency	-	0.9	1	-	KHz
Transimpedance Gain	-	-	75	-	MΩ
Sensitivity	λ = 940 nm	-	4.9x10 ⁷	-	V/W
Output Offset Voltage	-	-	-	±3	mV
Power Supply Voltage	-	-	6.2	7	mA
Broadband Noise	f-10Hz to cutoff	-	20	-	uV _{rms}

TYPICAL PERFORMANCE

SPECTRAL RESPONSE



SCHEMATIC AND CONNECTION DIAGRAM



Note: Components shown outside the dashed area are external to the device, and must be supplied by the user.