



Chipsmall Limited consists of a professional team with an average of over 10 year of expertise in the distribution of electronic components. Based in Hongkong, we have already established firm and mutual-benefit business relationships with customers from,Europe,America and south Asia,supplying obsolete and hard-to-find components to meet their specific needs.

With the principle of "Quality Parts,Customers Priority,Honest Operation,and Considerate Service",our business mainly focus on the distribution of electronic components. Line cards we deal with include Microchip,ALPS,ROHM,Xilinx,Pulse,ON,Everlight and Freescale. Main products comprise IC,Modules,Potentiometer,IC Socket,Relay,Connector.Our parts cover such applications as commercial,industrial, and automotives areas.

We are looking forward to setting up business relationship with you and hope to provide you with the best service and solution. Let us make a better world for our industry!



Contact us

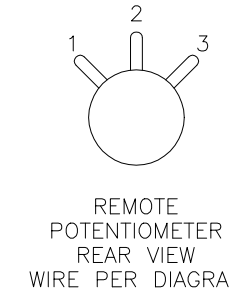
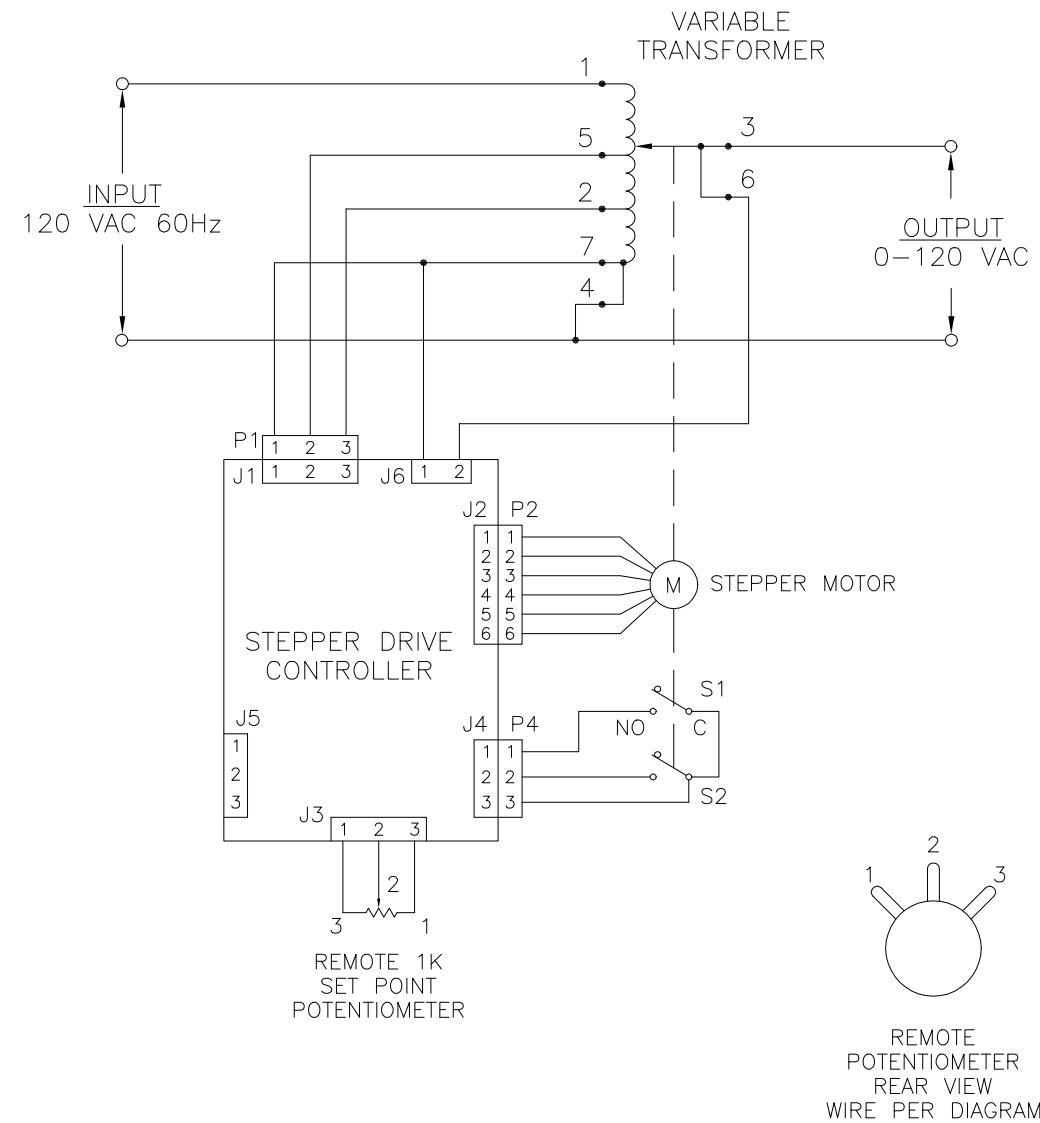
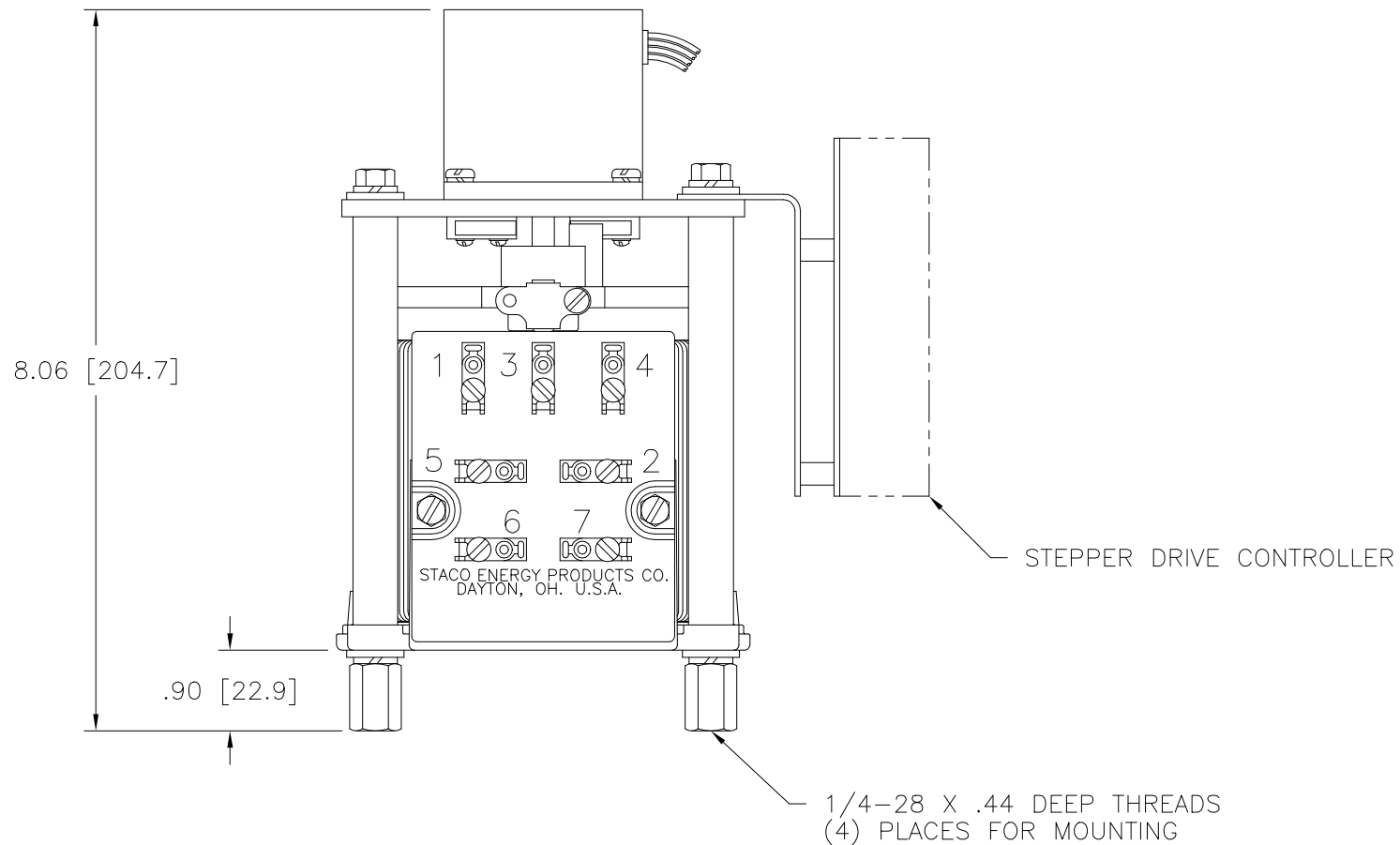
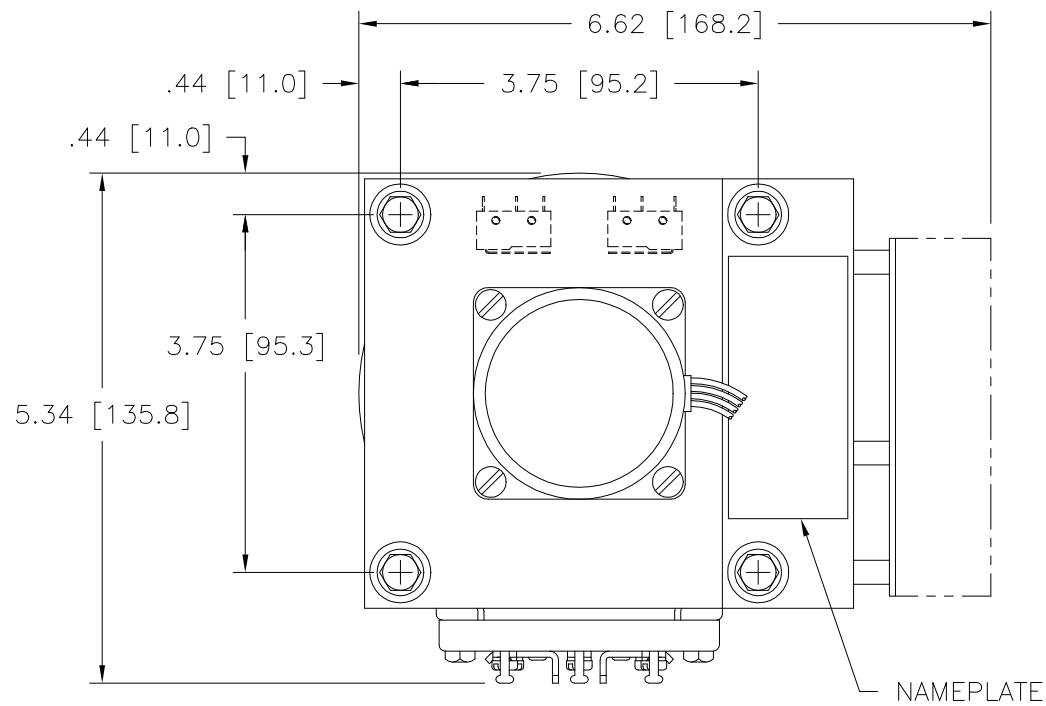
Tel: +86-755-8981 8866 Fax: +86-755-8427 6832

Email & Skype: info@chipsmall.com Web: www.chipsmall.com

Address: A1208, Overseas Decoration Building, #122 Zhenhua RD., Futian, Shenzhen, China



DWG. NO.	095-1801		
REVISIONS			
SYM.	E.C.N.	DATE	APVD.
A	22984	12/1/95	
	RELOCATED SWITCHES		
B	23275	12/6/96	
	8.06 WAS 7.94		
C	23938	3/1/99	
	REVISED BASE		



SET POINT ADJUSTMENT:
 THE OUTPUT SET POINT MAY BE ADJUSTED WITH THE REMOTE 1K POTENTIOMETER PROVIDED OR WITH A 0-5 VDC SIGNAL TO THE J3 CONNECTOR ON THE STEPPER DRIVE CONTROLLER. MAKE CONNECTIONS TO J3-2 & J3-3.

SPECIFICATIONS									
WIRING	INPUT		OUTPUT				TERMINAL CONNECTIONS		
	VOLTS	HERTZ	VOLTS	CONSTANT CURRENT LOAD		CONSTANT IMPEDANCE LOAD		INPUT	OUTPUT
SINGLE PHASE	120	60	0-120	MAX. AMPS	MAX. KVA	MAX. AMPS	MAX. KVA	1-4	4-3
				12	1.44	15	1.80		

UNLESS OTHERWISE SPECIFIED, TOLERANCE IS #				UNITS		TITLE: SPEC. CONTROL DRAWING						
DECIMALS	HOLES	ANGLES	DRAFT	IN	MM	STEPPER DRIVEN VARIABLE TRANSFORMER SD1210						
.XX	.0000-.06	.002	1°	1-1/2"								
MATERIAL:				ALL DIMENSIONS APPLY AFTER PLATING		DRAWN BY: S.A. SMITH		DATE: 9/12/95	FIRST USED ON:	DO NOT SCALE DWG.	CUSTOMER APPROVAL:	DATE:
<small>The information and design disclosed herein was originated by and is the property of STACO ENERGY PRODUCTS CO., which reserves all patent, proprietary, design, manufacturing, reproduction, use and sale rights thereto, and to any article disclosed therein except to the extent rights are expressly granted to others. The foregoing does not apply to vendor proprietary parts.</small>												
CHECKER:	DATE:	WEIGHT APPROX.	CODE IDENT. NO. 83008	DWG. NO. D	DWG. NO. 095-1801							
ENGINEER:	DATE:	SCALE 1=1	SHEET 1 OF 1									