



Chipsmall Limited consists of a professional team with an average of over 10 year of expertise in the distribution of electronic components. Based in Hongkong, we have already established firm and mutual-benefit business relationships with customers from,Europe,America and south Asia,supplying obsolete and hard-to-find components to meet their specific needs.

With the principle of “Quality Parts,Customers Priority,Honest Operation,and Considerate Service”,our business mainly focus on the distribution of electronic components. Line cards we deal with include Microchip,ALPS,ROHM,Xilinx,Pulse,ON,Everlight and Freescale. Main products comprise IC,Modules,Potentiometer,IC Socket,Relay,Connector.Our parts cover such applications as commercial,industrial, and automotives areas.

We are looking forward to setting up business relationship with you and hope to provide you with the best service and solution. Let us make a better world for our industry!



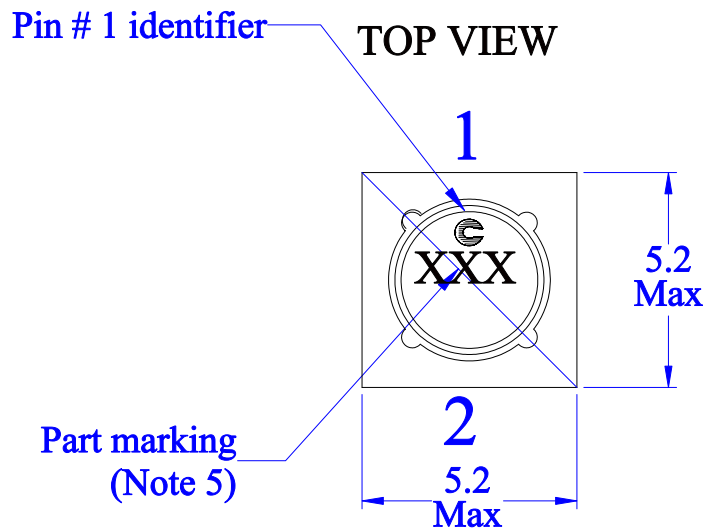
## Contact us

Tel: +86-755-8981 8866 Fax: +86-755-8427 6832

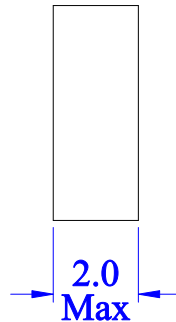
Email & Skype: info@chipsmall.com Web: www.chipsmall.com

Address: A1208, Overseas Decoration Building, #122 Zhenhua RD., Futian, Shenzhen, China

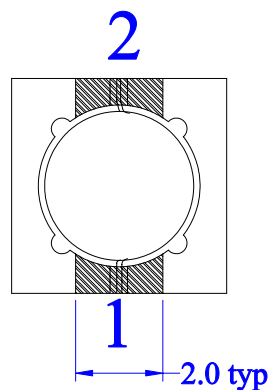




**SIDE VIEW**

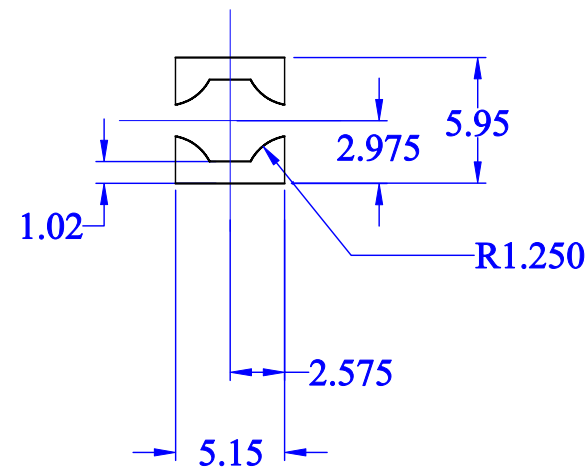


**BOTTOM VIEW**

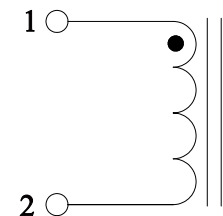


**RECOMMENDED PCB LAYOUT**

**2 PAD LAYOUT**



**SCHEMATIC**



- Notes:
- 1) All Dimensions are in millimeters unless otherwise specified.
  - 2) All soldering surfaces to be coplanar within 0.10 millimeters.
  - 3) See Page 4 for Letter Designation Table
  - 4) PCB tolerances are +/- 0.2 unless stated otherwise.
  - 5) Part Marking: Line 1---3 Digit Marking-- (1st digit: Indicates inductance value per letter designation table on page 4); (2nd digit: Bi-weekly production date code); (3rd digit: Last digit of year produced) O (Indicates Size)
  - 6) RoHS Compliant

**Cooper Electronic Technologies**  
 1225 Broken Sound Pkwy NW Suite F Boca Raton, FL 33487  
**Shielded Drum Core (SD20C) SMT Inductor Line**  
 2.0 mm height  
**Mechanical Specifications**

Size	Drawing Number:	SD20C-R Inductor Line
A	Revision Level:	B Sheet 3 of 29

## CUSTOMER INFORMATION

### 2.0mm Shielded Drum Core (SD20C) Family Table

Part Number	Rated Inductance (μH)	OCL nominal +/-20% (μH)	Part Marking Designator	<u>I<sub>RMS</sub> Amperes</u> for approximately a ΔT of 40°C. above 85°C ambient	<u>I<sub>SAT</sub> Amperes Peak</u> for approximately 30% rolloff (@ 20°C).	DCR (Ω) typ. @ 20°C.
<a href="#">SD20C-R47</a>	0.47	0.490	A	3.59	4.00	0.0200
<a href="#">SD20C-1R2</a>	1.20	1.21	B	3.07	2.55	0.0275
<a href="#">SD20C-1R5</a>	1.50	1.69	C	2.88	2.15	0.0312
<a href="#">SD20C-2R2</a>	2.20	2.25	D	2.45	1.87	0.0429
<a href="#">SD20C-3R3</a>	3.30	3.61	E	2.17	1.47	0.0547
<a href="#">SD20C-4R7</a>	4.70	4.41	F	2.05	1.33	0.0612
<a href="#">SD20C-6R2</a>	6.20	6.25	G	1.89	1.12	0.0720
<a href="#">SD20C-8R2</a>	8.20	8.41	H	1.61	0.966	0.1000
<a href="#">SD20C-100</a>	10.0	9.61	J	1.53	0.903	0.1100
<a href="#">SD20C-150</a>	15.0	15.21	K	1.25	0.718	0.1655
<a href="#">SD20C-220</a>	22.0	22.09	L	1.12	0.596	0.2053
<a href="#">SD20C-330</a>	33.0	32.49	M	0.913	0.491	0.3100
<a href="#">SD20C-470</a>	47.0	47.61	N	0.745	0.406	0.4650
<a href="#">SD20C-680</a>	68.0	68.89	O	0.610	0.337	0.6947
<a href="#">SD20C-820</a>	82.0	82.81	P	0.576	0.308	0.7785
<a href="#">SD20C-101</a>	100	98.01	Q	0.495	0.283	1.06
<a href="#">SD20C-151</a>	150	151.3	R	0.435	0.228	1.37
<a href="#">SD20C-221</a>	220	222.0	S	0.356	0.188	2.04
<a href="#">SD20C-331</a>	330	327.6	T	0.294	0.155	2.99
<a href="#">SD20C-471</a>	470	470.9	U	0.263	0.129	3.74
<a href="#">SD20C-681</a>	680	681.2	V	0.216	0.107	5.56
<a href="#">SD20C-821</a>	820	823.7	W	0.204	0.098	6.22
<a href="#">SD20C-102</a>	1000	1004.9	X	0.172	0.088	8.73

**Electrical Requirement Notes:** 1) Test Parameters: 100KHz, 0.25Vrms      2) DCR @ 20°C

**Part number definition:**  
**First 4 characters = Product code and size.**  
**Last 3 characters = Inductance in μH. R=decimal point.**  
**If no R is present third character = # of zeros.**

**(1) Units supplied in tape and reel packaging. 13" reels 2900 parts per reel. Meets EIA-481 standard**

#### Cooper Electronic Technologies

1225 Broken Sound Pkwy NW Suite F Boca Raton, FL 33487

#### **Shielded Drum Core, (SD20C) SMT Inductor Line** **2.0 mm height.**

Electrical Specifications

Option Code (Suffix)	Description
-R	RoHS Compliant Version

SIZE	Drawing Number:	<b>SD20C-R Inductor Line</b>
A	Revision Level:	B      Sheet 4 of 29