



Chipsmall Limited consists of a professional team with an average of over 10 year of expertise in the distribution of electronic components. Based in Hongkong, we have already established firm and mutual-benefit business relationships with customers from,Europe,America and south Asia,supplying obsolete and hard-to-find components to meet their specific needs.

With the principle of “Quality Parts,Customers Priority,Honest Operation,and Considerate Service”,our business mainly focus on the distribution of electronic components. Line cards we deal with include Microchip,ALPS,ROHM,Xilinx,Pulse,ON,Everlight and Freescale. Main products comprise IC,Modules,Potentiometer,IC Socket,Relay,Connector.Our parts cover such applications as commercial,industrial, and automotives areas.

We are looking forward to setting up business relationship with you and hope to provide you with the best service and solution. Let us make a better world for our industry!



Contact us

Tel: +86-755-8981 8866 Fax: +86-755-8427 6832

Email & Skype: info@chipsmall.com Web: www.chipsmall.com

Address: A1208, Overseas Decoration Building, #122 Zhenhua RD., Futian, Shenzhen, China





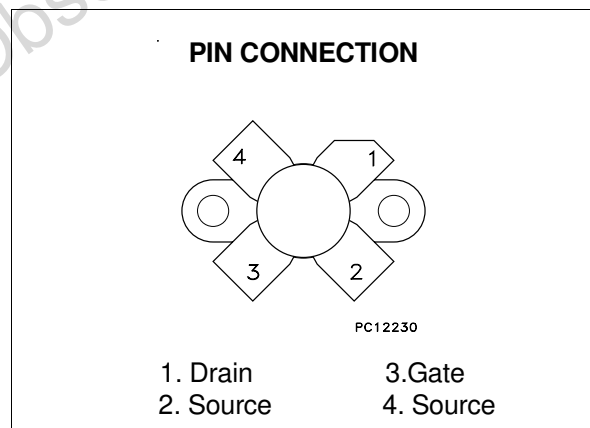
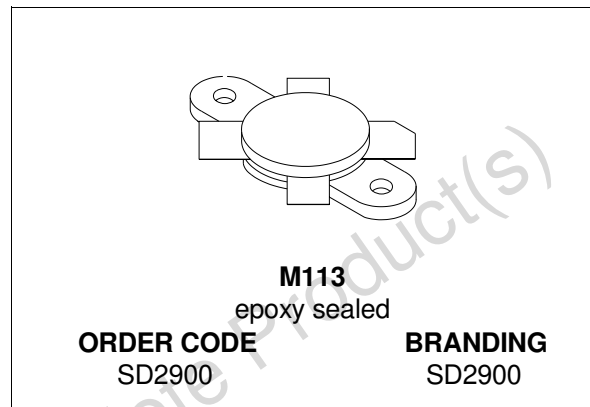
SD2900

RF POWER TRANSISTORS HF/VHF/UHF N-CHANNEL MOSFETs

- GOLD METALLIZATION
- COMMON SOURCE CONFIGURATION
- 2 - 500 MHz
- 5 WATTS
- 28 VOLTS
- 13.5 dB MIN. AT 400 MHz
- CLASS A OR AB OPERATION
- EXCELLENT THERMAL STABILITY

DESCRIPTION

The SD2900 is a gold metallized N-Channel MOS field-effect RF power transistor. It is intended for use in 28 V DC large signal applications up to 500 MHz



ABSOLUTE MAXIMUM RATINGS ($T_{case} = 25\text{ }^{\circ}\text{C}$)

Symbol	Parameter	Value	Unit
$V_{(BR)DSS}$	Drain Source Voltage	65	V
V_{DGR}	Drain-Gate Voltage ($R_{GS} = 1M\Omega$)	65	V
V_{GS}	Gate-Source Voltage	± 20	V
I_D	Drain Current	900	mA
P_{DISS}	Power Dissipation	21.9	W
T_j	Max. Operating Junction Temperature	200	$^{\circ}\text{C}$
T_{STG}	Storage Temperature	-65 to 150	$^{\circ}\text{C}$

THERMAL DATA

$R_{th(j-c)}$	Junction-Case Thermal Resistance	8.0	$^{\circ}\text{C}/\text{W}$
$R_{th(c-s)}$	Case-Heatsink Thermal Resistance *	0.30	$^{\circ}\text{C}/\text{W}$

* Determined using a flat aluminum or copper heatsink with thermal compound applied (Dow Corning 340 or equivalent).

SD2900

ELECTRICAL SPECIFICATION (T_{case} = 25 °C)

STATIC

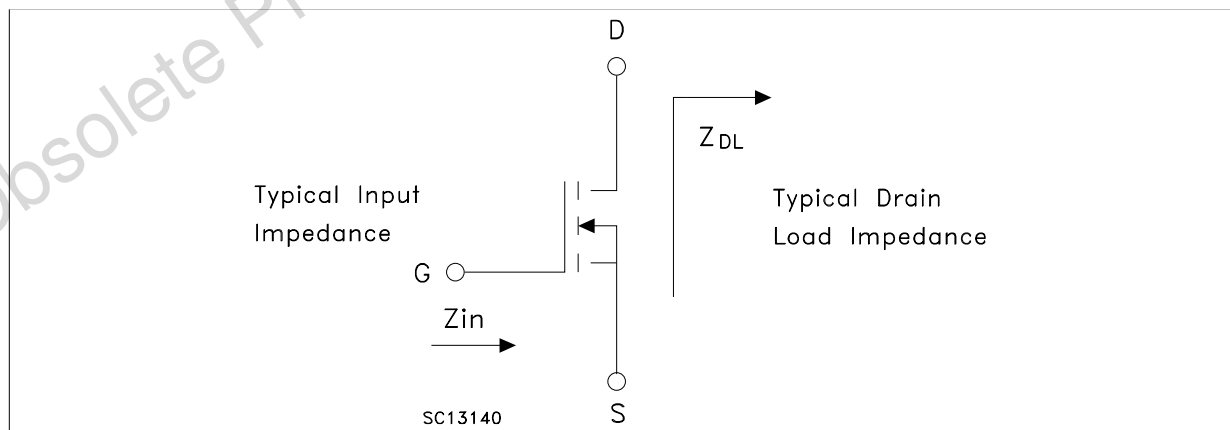
Symbol	Parameter		Min.	Typ.	Max.	Unit
V _{(BR)DSS}	V _{GS} = 0V	I _{DS} = 5 mA	65			V
I _{DSS}	V _{GS} = 0V	V _{DS} = 28 V			0.5	mA
I _{GSS}	V _{GS} = 20V	V _{DS} = 0 V			1.0	μA
V _{GS(Q)}	V _{DS} = 10V	I _D = 10 mA	1.0		6.0	V
V _{DS(ON)}	V _{GS} = 10V	I _D = 0.5 A			1.6	V
g _{FS}	V _{DS} = 10V	I _D = 0.5 A	0.2			mho
C _{ISS}	V _{GS} = 0V	V _{DS} = 28 V		f = 1 MHz	8.5	pF
C _{OSS}	V _{GS} = 0V	V _{DS} = 28 V		f = 1 MHz	7.8	pF
C _{RSS}	V _{GS} = 0V	V _{DS} = 28 V		f = 1 MHz	1.4	pF

REF. 10213071

DYNAMIC

Symbol	Parameter		Min.	Typ.	Max.	Unit
P _{OUT}	f = 400 MHz	V _{DD} = 28 V	I _{DQ} = 50 mA	5		W
G _{PS}	f = 400 MHz	V _{DD} = 28 V	P _{out} = 5 W	13.5	16	dB
η _D	f = 400 MHz	V _{DD} = 28 V	P _{out} = 5 W	45	50	%
Load Mismatch	f = 400 MHz	V _{DD} = 28 V	P _{out} = 5 W	30:1		VSWR
	All Angles		I _{DQ} = 50 mA			

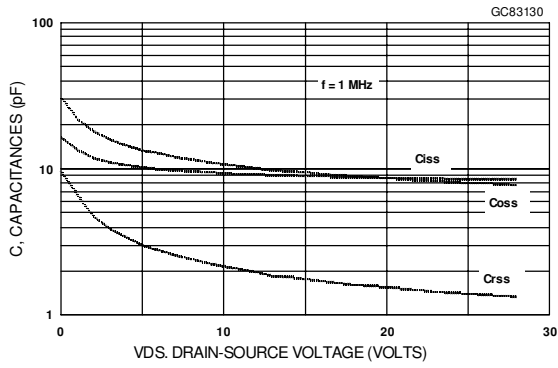
IMPEDANCE DATA



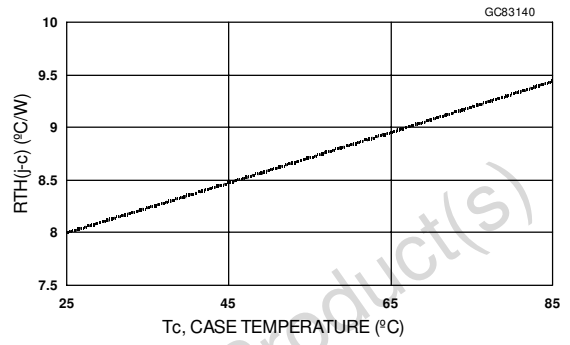
FREQ.	Z _{IN} (Ω)	Z _{DL} (Ω)
400 MHz	8.6 - j 24.6	22.6 + j 27.0

TYPICAL PERFORMANCE

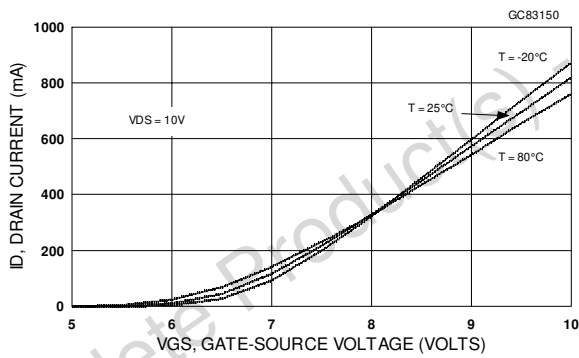
Capacitance vs Drain-Source Voltage



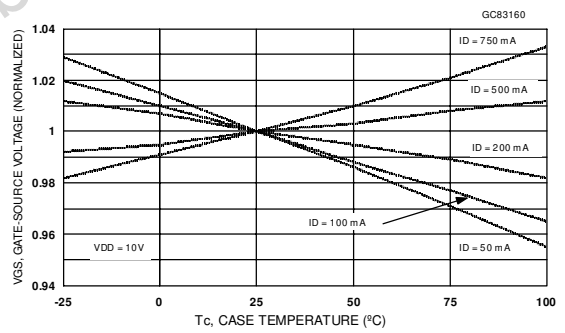
Maximum Thermal Resistance vs Case Temperature



Drain Current vs Gate Voltage

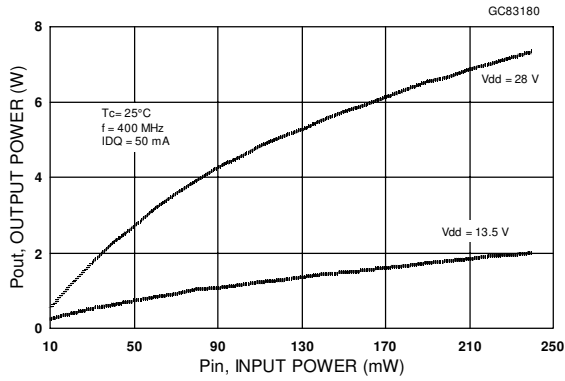


Gate-Source Voltages vs Case Temperature

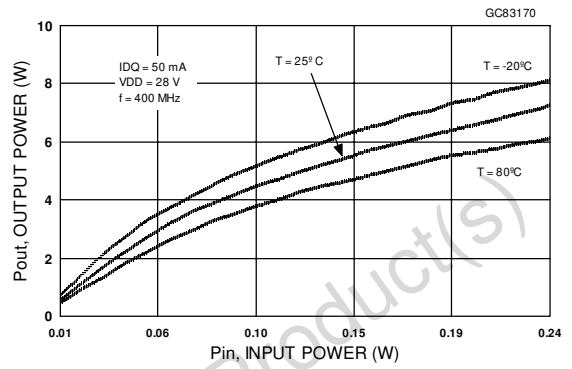


TYPICAL PERFORMANCE

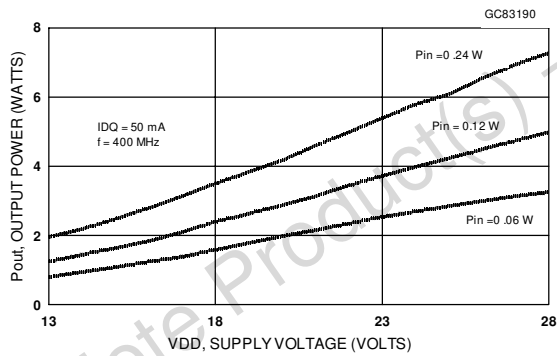
Output Power vs Input Power



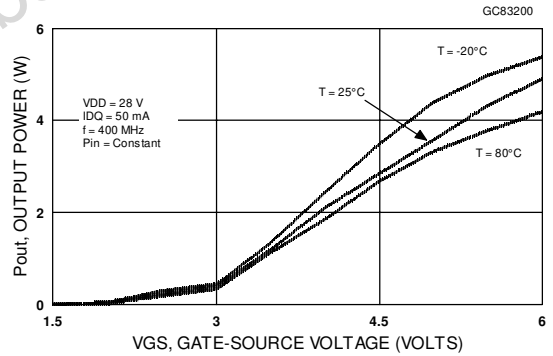
Output Power vs Input Power



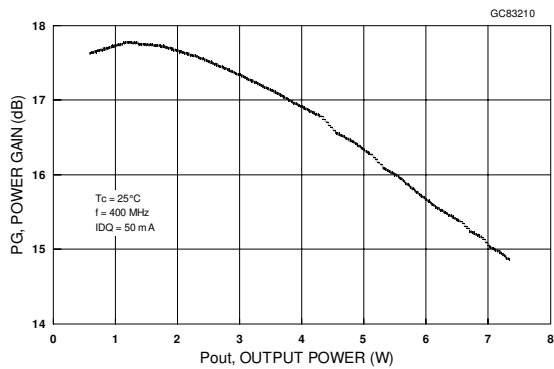
Output Power vs Voltage Supply



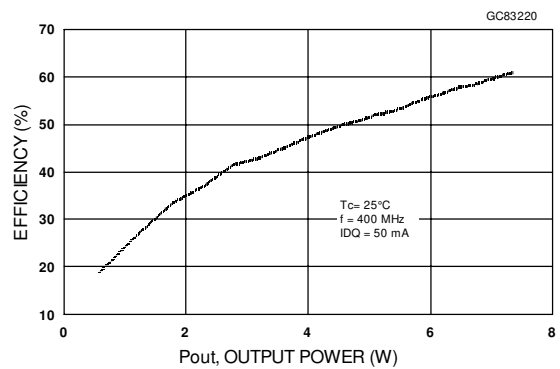
Output Power vs Gate Voltage



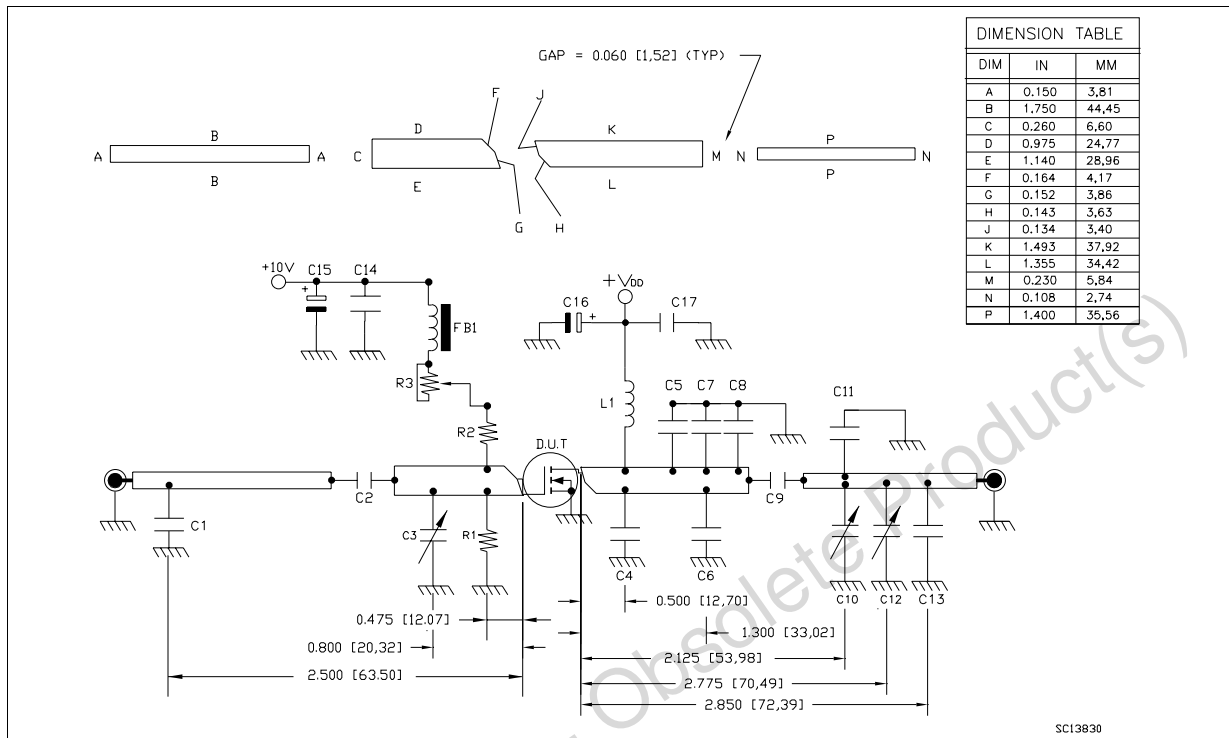
Power Gain vs Output Power



Efficiency vs Output Power



400 MHz Test Circuit Schematic

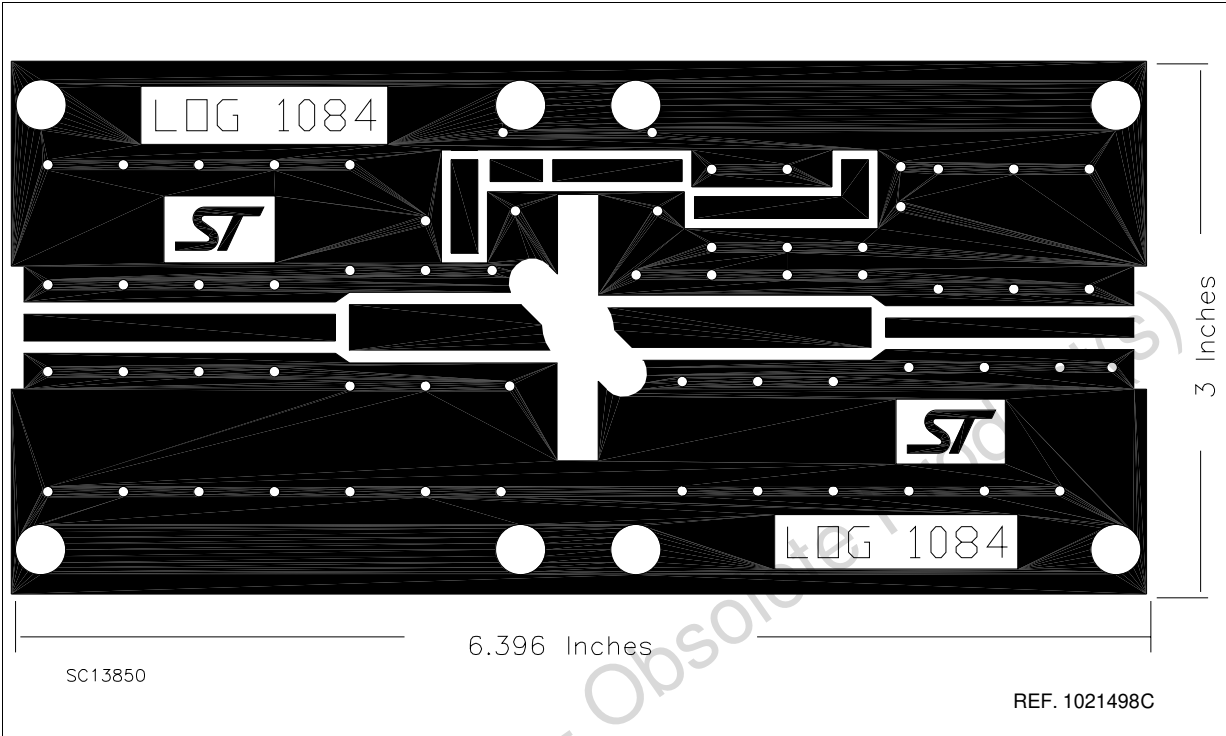


400 MHz Test Circuit Component Part List

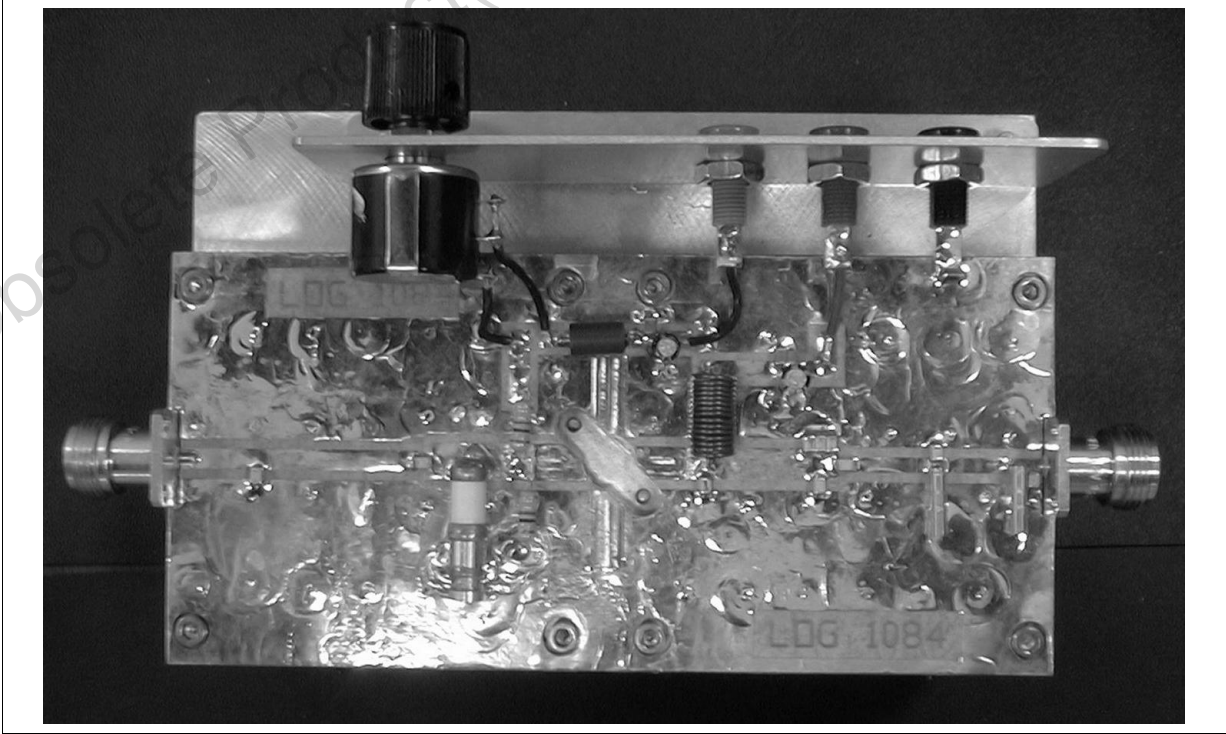
COMPONENT	PART NO.	VENDOR	DESCRIPTION
C17	ATC700B122MW50X	ATC	1200pF ATC 700B SURFACE MOUNT CERAMIC CHIP CAPACITOR
C16	SKR100M1JD11	MALLORY	10uF / 63 V ALUMINUM ELECTROLYTICS RADIAL LEAD CAPACITOR
C15	SKR100M1JD11	MALLORY	10uF / 63 V ALUMINUM ELECTROLYTICS RADIAL LEAD CAPACITOR
C14	ATC700B122MW50X	ATC	1200pF ATC 700B SURFACE MOUNT CERAMIC CHIP CAPACITOR
C13	ATC100B9R1KP500X	ATC	9.1pF ATC 100B SURFACE MOUNT CERAMIC CHIP CAPACITOR
C12	27291PC	JOHANSON	0.8-8pF GIGA-TRIM VARIABLE CAPACITOR
C11	ATC100B110KP500X	ATC	11pF ATC 100B SURFACE MOUNT CERAMIC CHIP CAPACITOR
C10	27291PC	JOHANSON	0.8-8pF GIGA-TRIM VARIABLE CAPACITOR
C9	ATC100B201KP300X	ATC	200pF ATC 100B SURFACE MOUNT CERAMIC CHIP CAPACITOR
C8	ATC100B4R3KP500X	ATC	4.3pF ATC 100B SURFACE MOUNT CERAMIC CHIP CAPACITOR
C7	ATC100B1R7KP500X	ATC	1.7pF ATC 100B SURFACE MOUNT CERAMIC CHIP CAPACITOR
C6	ATC100B9R1KP500X	ATC	9.1pF ATC 100B SURFACE MOUNT CERAMIC CHIP CAPACITOR
C5	ATC100B5R1KP500X	ATC	5.1pF ATC 100B SURFACE MOUNT CERAMIC CHIP CAPACITOR
C4	ATC100B4R3KP500X	ATC	4.3pF ATC 100B SURFACE MOUNT CERAMIC CHIP CAPACITOR
C3	5601PC	JOHANSON	1.0-30pF AIR DIELECTRIC VARIABLE CAPACITOR
C2	ATC100B201KP300X	ATC	200pF ATC 100B SURFACE MOUNT CERAMIC CHIP CAPACITOR
C1	ATC100B180KP500X	ATC	18pF ATC 100B SURFACE MOUNT CERAMIC CHIP CAPACITOR
R3	534-1-1-203	SPECTROL	534 SERIES 20K OHM 10 TURN WIREWOUND PRECISION POTENTIOMETER
R2		YAGEO	10K / 1/2W 5% CARBON-FILM RESISTOR OR EQUIVALENT
R1		YAGEO	10K / 1/2W 5% CARBON-FILM RESISTOR OR EQUIVALENT
L1	TYPE 8076	BELDEN	INDUCTOR, 15 TURNS #20 AWG 0.250 [6,35] ID, POLY-FILM COATED MAGNET WIRE
FB1	2943666671	FAIR-RITE	2-1/2 TURN WOUND EMI SHIELD BEAD
PCB	AR4SOLO6211.002	ARLON	PTFE / NON - WOVEN FIBERGLASS REINFORCED CERAMIC HYDROCARBON 0.062 THK, $\epsilon_r=4.5$, 10z ED Cu BOTH SIDES
COMPONENT	PART NO.	VENDOR	DESCRIPTION

SCI3840

400 MHz Test Circuit Photomaster

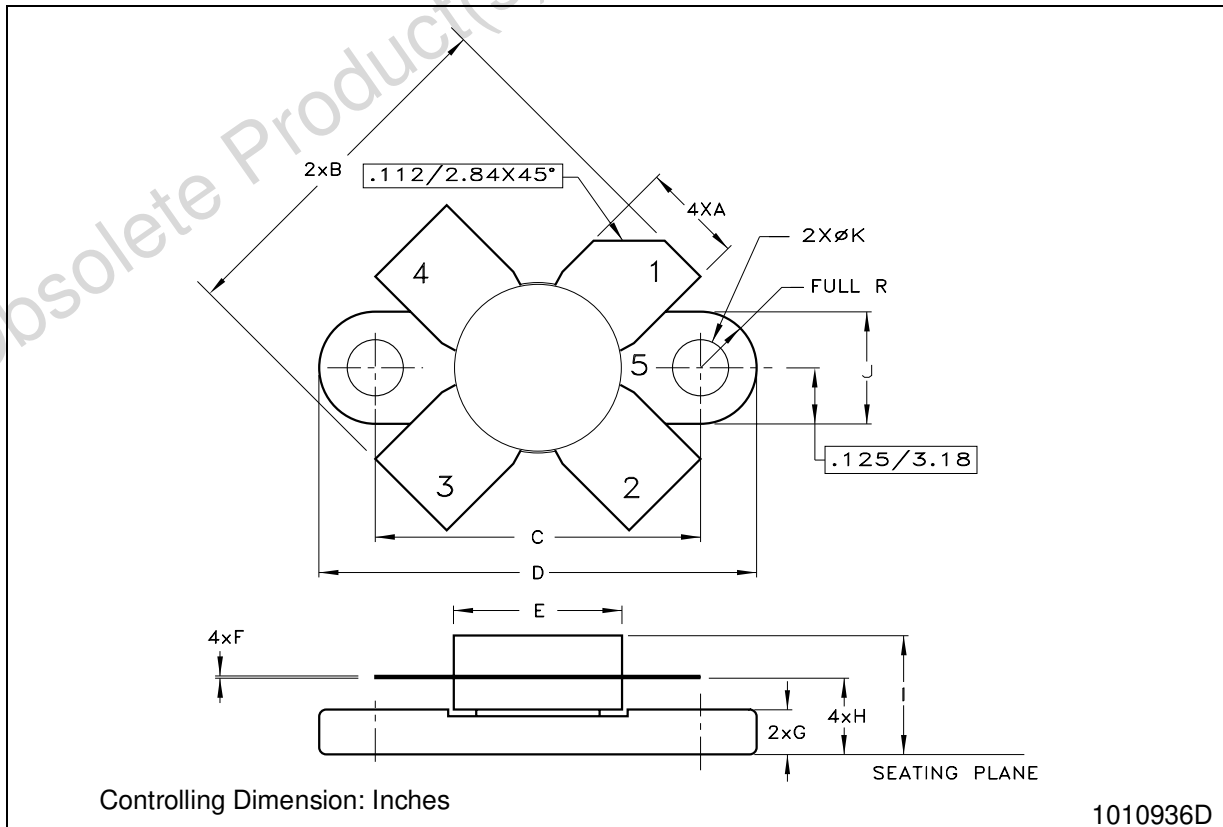


Production Test Fixture



M113 (.380 DIA 4/L N/HERM W/FLG) MECHANICAL DATA

DIM.	mm			inch		
	MIN.	TYP.	MAX.	MIN.	TYP.	MAX.
A	5.59		5.84	0.220		0.230
B	19.81		20.83	0.780		0.820
C	18.29		18.54	0.720		0.730
D	24.64		24.89	0.970		0.980
E	9.40		9.78	0.370		0.385
F	0.10		0.15	0.004		0.006
G	2.16		2.67	0.085		0.105
H	4.06		4.57	0.160		0.180
I			7.14			0.281
J	6.22		6.48	0.245		0.255
K	3.05		3.30	0.120		0.130



Obsolete Product(s) - Obsolete Product(s)

Information furnished is believed to be accurate and reliable. However, STMicroelectronics assumes no responsibility for the consequences of use of such information nor for any infringement of patents or other rights of third parties which may result from its use. No license is granted by implication or otherwise under any patent or patent rights of STMicroelectronics. Specification mentioned in this publication are subject to change without notice. This publication supersedes and replaces all information previously supplied. STMicroelectronics products are not authorized for use as critical components in life support devices or systems without express written approval of STMicroelectronics.

The ST logo is a trademark of STMicroelectronics

© 1999 STMicroelectronics – Printed in Italy – All Rights Reserved

STMicroelectronics GROUP OF COMPANIES

Australia - Brazil - China - Finland - France - Germany - Hong Kong - India - Italy - Japan - Malaysia - Malta - Morocco - Singapore - Spain - Sweden - Switzerland - United Kingdom - U.S.A.

<http://www.st.com>