



Chipsmall Limited consists of a professional team with an average of over 10 year of expertise in the distribution of electronic components. Based in Hongkong, we have already established firm and mutual-benefit business relationships with customers from,Europe,America and south Asia,supplying obsolete and hard-to-find components to meet their specific needs.

With the principle of "Quality Parts,Customers Priority,Honest Operation,and Considerate Service",our business mainly focus on the distribution of electronic components. Line cards we deal with include Microchip,ALPS,ROHM,Xilinx,Pulse,ON,Everlight and Freescale. Main products comprise IC,Modules,Potentiometer,IC Socket,Relay,Connector.Our parts cover such applications as commercial,industrial, and automotives areas.

We are looking forward to setting up business relationship with you and hope to provide you with the best service and solution. Let us make a better world for our industry!



Contact us

Tel: +86-755-8981 8866 Fax: +86-755-8427 6832

Email & Skype: info@chipsmall.com Web: www.chipsmall.com

Address: A1208, Overseas Decoration Building, #122 Zhenhua RD., Futian, Shenzhen, China



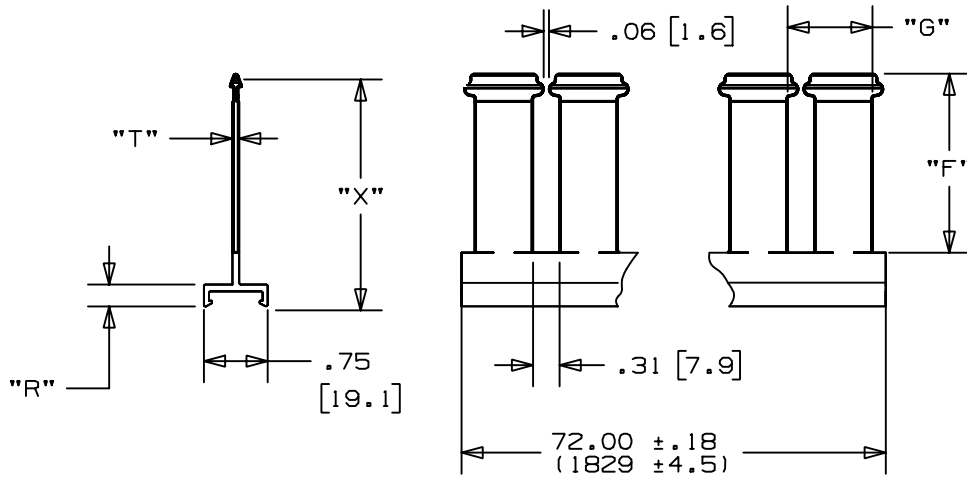
THIS COPY IS PROVIDED ON A RESTRICTED BASIS AND IS NOT TO BE USED IN ANY WAY DETRIMENTAL TO THE INTERESTS OF PANDUIT CORP.



PANDUIT P/N	"X"	"T"	"R"	"F"	"G"	WEIGHT
SD2H6	1.79 ±.03 (45.3 ±.8)	.07 ±.01 (1.7 ±.3)	.24 ±.03 (6.0 ±.7)	1.18 ±.03 (29.9 ±.8)	.8 ±.04 (2.0 ±1.0)	.077 LB/FT (.115 Kg/M)
SD3H6	2.74 ±.05 (69.7 ±1.3)	.09 ±.02 (2.1 ±.4)	.26 ±.03 (6.5 ±.7)	2.11 ±.03 (55.4 ±.8)	1.0 ±.04 (25.4 ±1.0)	.132 LB/FT (.197 Kg/M)
SD4H6	3.53 ±0.06 (89.8 ±1.5)	.11 ±.02 (2.8 ±.5)	.26 ±.03 (6.5 ±.7)	2.90 ±.03 (73.7 ±.8)	1.0 ±.04 (25.4 ±1.0)	.288 LB/FT (.429 Kg/M)

NOTES:

1. SEE CURRENT CATALOG FOR ADDITIONAL PART SUFFIXES TO INDICATE COLOR AND OR PACKAGE QUANTITY.
2. THIS PART IS INTENDED TO BE USED WITH MOUNTING BASE DB-C OR DBM-C IN ORDER TO SUCCEED AS A DIVIDER WALL APPLICATION.
3. DIMENSIONS IN PARENTHESES ARE METRIC.



CAD FILENAME/LAYERS D36089BG_DC_SDW_02A.prt

PANDUIT CORP. TINLEY PARK, ILLINOIS
 SLOTTED DIVIDER WALL FOR
 WIRING DUCT (SD2H6, SD3H6, SD4H6)
 CUSTOMER DRAWING

UNLESS OTHERWISE SPECIFIED,
 DIMENSIONAL TOLERANCES ARE:
 (.X) ± (.XXX) ±
 (.XX) ±.03 (.8) ANGLES ±

UNLESS OTHERWISE SPECIFIED,
 ALL DIMENSIONS ARE GIVEN
 IN INCHES, THIRD ANGLE PROJECTION.

REV	DATE	BY	CHK	DESCRIPTION	ECN	CHK	CUST	SUP
2	4/12/04	JCST	JKG	C. MODIFIED TITLE B. MODIFIED CHART	36089-07	HIW	HIW	
1	12-10-98	DW	HIW	A. ADDED DBM-C TO NOTE 2.	36089-07	HIW	HIW	
R	7-23-97	DW	HIW	RELEASED TO PRODUCTION.	36089-07	HIW	HIW	

DRAWN BY
DW
 DATE
7-23-97
 CHECKED BY
HIW

MAT'L:
PVC

SCALE
NONE
 DRAWING NO.
36089-07
 DWG
A
 SIZE