



Chipsmall Limited consists of a professional team with an average of over 10 year of expertise in the distribution of electronic components. Based in Hongkong, we have already established firm and mutual-benefit business relationships with customers from,Europe,America and south Asia,supplying obsolete and hard-to-find components to meet their specific needs.

With the principle of “Quality Parts,Customers Priority,Honest Operation,and Considerate Service”,our business mainly focus on the distribution of electronic components. Line cards we deal with include Microchip,ALPS,ROHM,Xilinx,Pulse,ON,Everlight and Freescale. Main products comprise IC,Modules,Potentiometer,IC Socket,Relay,Connector.Our parts cover such applications as commercial,industrial, and automotives areas.

We are looking forward to setting up business relationship with you and hope to provide you with the best service and solution. Let us make a better world for our industry!



## Contact us

Tel: +86-755-8981 8866 Fax: +86-755-8427 6832

Email & Skype: info@chipsmall.com Web: www.chipsmall.com

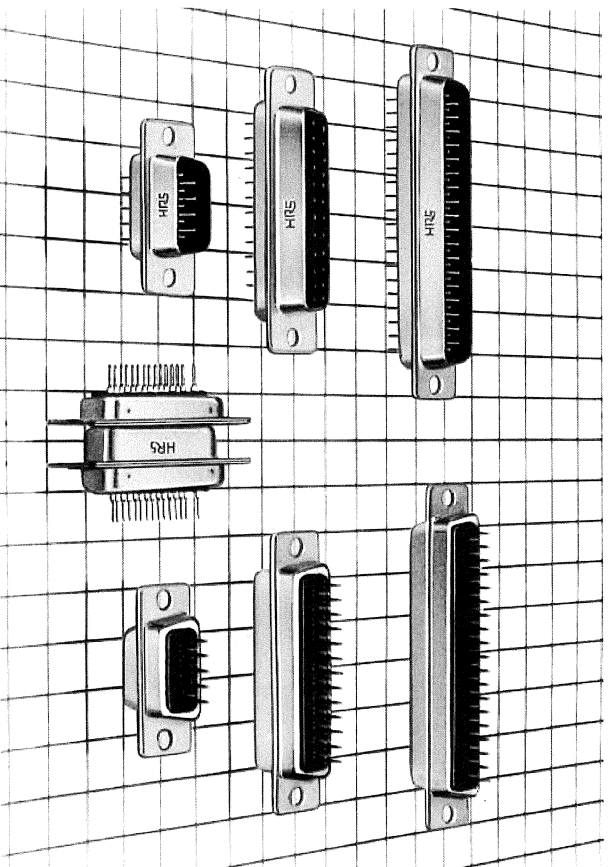
Address: A1208, Overseas Decoration Building, #122 Zhenhua RD., Futian, Shenzhen, China



## SD SERIES. STRAIGHT/METAL PCB D-SUB

### General

The SD※B and SD※G Series D sub-straight dip soldering connectors are designed to be mounted vertically on PCBs. Directly connected to the circuits on PCBs, they are suitable for saving labor in mounting. 9, 15, 25, 37, and 50-contact models available.



### Features

- (1) Compact and sturdy due to a metal shell.
- (2) Saves gold by plating contacts with gold and PCB-contacting parts with solder.
- (3) Directly mountable vertically on PCBs in high density and easily connectable to a cable plug.
- (4) A wide variety of combinations available, such as  
dip soldering (HD), crimping (CD), and ribbon IDC termination (FD).
- (5) Uses insulation made from highly heat-resistant and chemical resistant glass-containing resin (UL94V-0).

### Application

Computers, peripherals and terminals, control equipment, and measuring instruments.

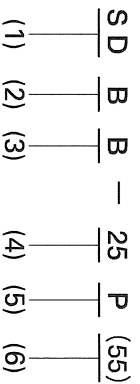
## Electrical and Environmental

Electrical and Environmental Characteristics	
CURRENT RATING:	3A
VOLTAGE RATING:	350V AC
INSULATION RESISTANCE:	5000M $\Omega$ min. at 500V DC
CONTACT RESISTANCE:	15m $\Omega$ max. at 100mA DC (SD* <b>B</b> )
	30m $\Omega$ max at 100mA DC (SD* <b>G</b> )
WITHSTANDING VOLTAGE:	1250V r.m.s. AC for 1 min.

Material and Finish		
Shell	Steel	Nickel plating
Insulator	PBT*	(GE Valox) Black
Contact	Phosphor Bronze	Contact area: Nickel plating + gold plating Termination area: Nickel plating + gold flash plating or tin plating

\*UL94V-0

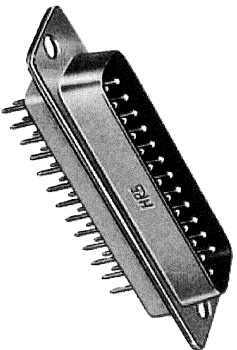
## Ordering Informations



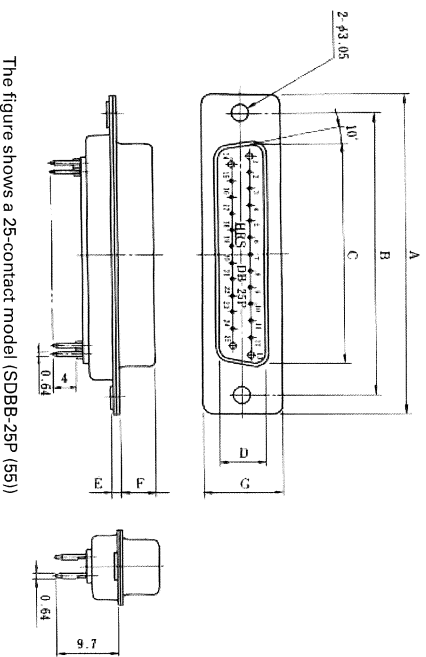
- (1) Model number symbol SD: D substrate dip type
- (2) Shell size: E, A, B, C and D
- (3) Serial symbols by type of connector unit:  
B: Standard type  
G: Terminal long leg type
- (4) Number of poles: 9, 15, 25, 37 and 50
- (5) Terminal opening shape symbol  
P: male terminal  
S: female terminal
- (6) Specification contents  
(55): Shell: Nickel plating  
Contacts: Termination area:  
gold flash plating (SD\*B type)  
Tin plating (SD\*G type)

The product information in this catalog is for reference only. Please request the Engineering Drawing for the most current and accurate design information. All non-Roh's products have been discontinued, or will be discontinued soon. Please check the products status on the Hirose website Roh's search at [www.hirose-connectors.com](http://www.hirose-connectors.com), or contact your Hirose sales representative.

### SD\*B

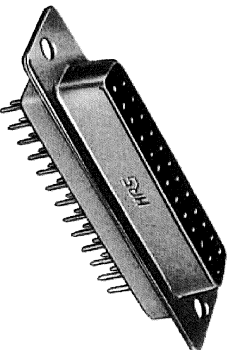


SDDB-25P (55)

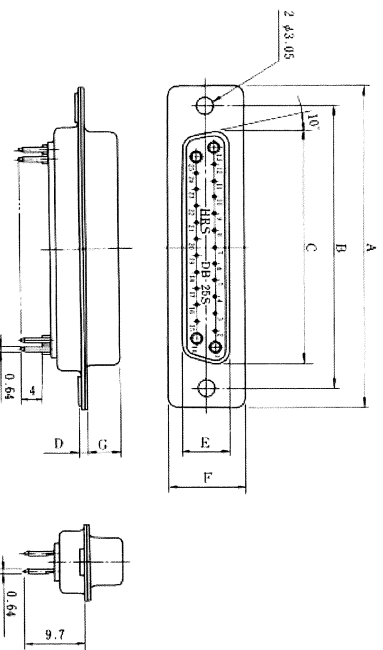


THRS No	Model No.	Part No.	A	B	C	D	E	F	G	RoHS
C1211402174355	9	SDDB49P (55)	30.81	24.99	16.4	8.34	1.2	5.99	12.55	
C121140249455	15	SDVB15P (55)	39.14	35.32	25.24	8.34	1.2	5.99	12.55	
C121140251455	25	SDDB25P (55)	53.04	47.04	39.01	8.4	1.3	5.87	12.55	YES
C121140253655	37	SINCB37P (55)	69.32	63.5	55.47	8.4	1.4	5.87	12.55	
C121140395455	50	SDDB50P (55)	66.93	61.11	52.85	11.13	1.5	5.87	13.37	

Unit: mm



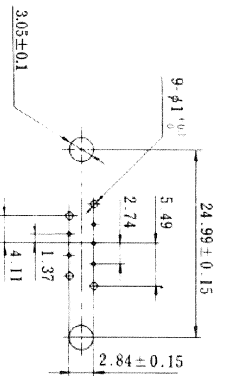
SDDB-25S (55)



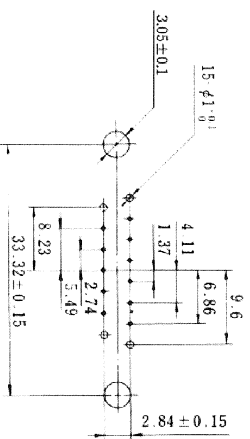
THRS No	Model No.	Part No.	A	B	C	D	E	F	G	RoHS
C121140248655	9	SDDB49S (55)	30.81	24.99	16.4	1.2	7.82	12.55	6.17	
C121140250855	15	SDAB15S (55)	39.14	33.32	24.59	1.2	7.82	12.55	6.17	
C121140252355	25	SDDB25S (55)	53.04	47.04	38.3	1.2	7.82	12.55	6.17	YES
C121140254455	37	SDCB37S (55)	69.32	63.5	54.76	1.2	7.82	12.55	6.17	
C121140396355	50	SDDB50S (55)	66.93	61.11	52.35	1.2	10.63	13.37	6.17	

Unit: mm

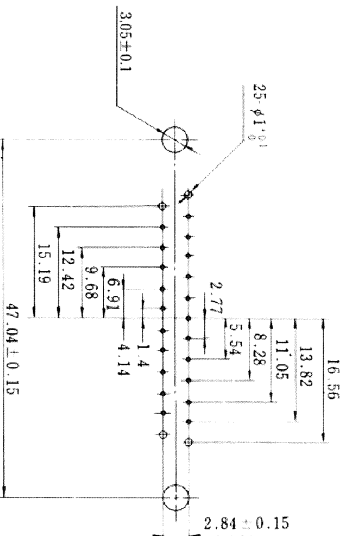
### PCB Mounting Pattern (mm)



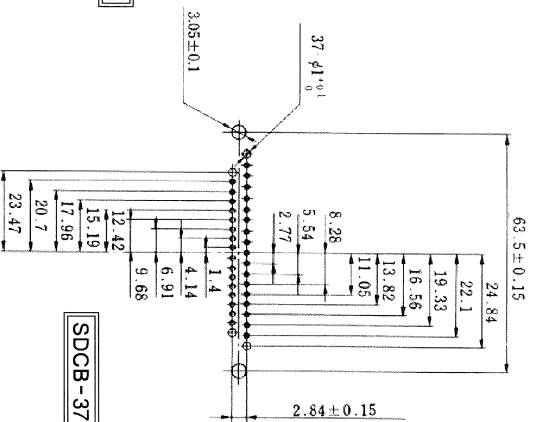
**SDEB-9**



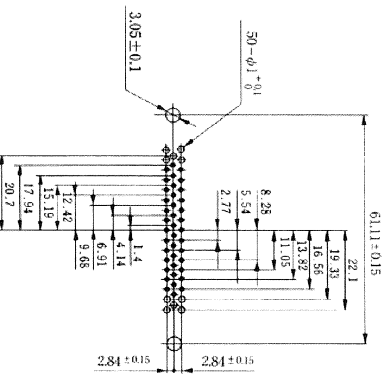
**SDAB-15**



**SDBB-25**

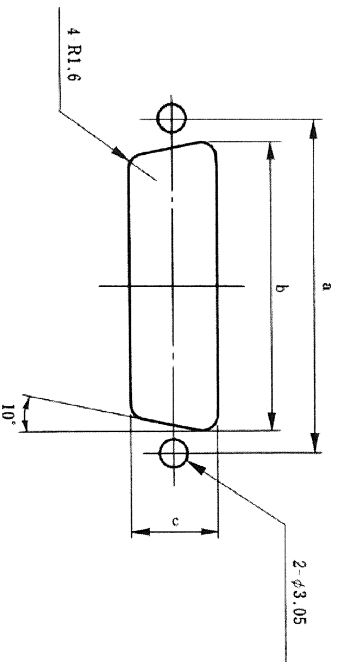


**SDCB-37**



**SDDB-50**

### Mounting Cutout



Shell Size	a	b	c
E	24.99	20.2	11.5
A	33.32	28.6	11.5
B	47.04	42.3	11.5
C	63.5	58.7	11.5
D	61.11	56	14.3

Unit: mm