



Chipsmall Limited consists of a professional team with an average of over 10 year of expertise in the distribution of electronic components. Based in Hongkong, we have already established firm and mutual-benefit business relationships with customers from,Europe,America and south Asia,supplying obsolete and hard-to-find components to meet their specific needs.

With the principle of "Quality Parts,Customers Priority,Honest Operation,and Considerate Service",our business mainly focus on the distribution of electronic components. Line cards we deal with include Microchip,ALPS,ROHM,Xilinx,Pulse,ON,Everlight and Freescale. Main products comprise IC,Modules,Potentiometer,IC Socket,Relay,Connector.Our parts cover such applications as commercial,industrial, and automotives areas.

We are looking forward to setting up business relationship with you and hope to provide you with the best service and solution. Let us make a better world for our industry!



## Contact us

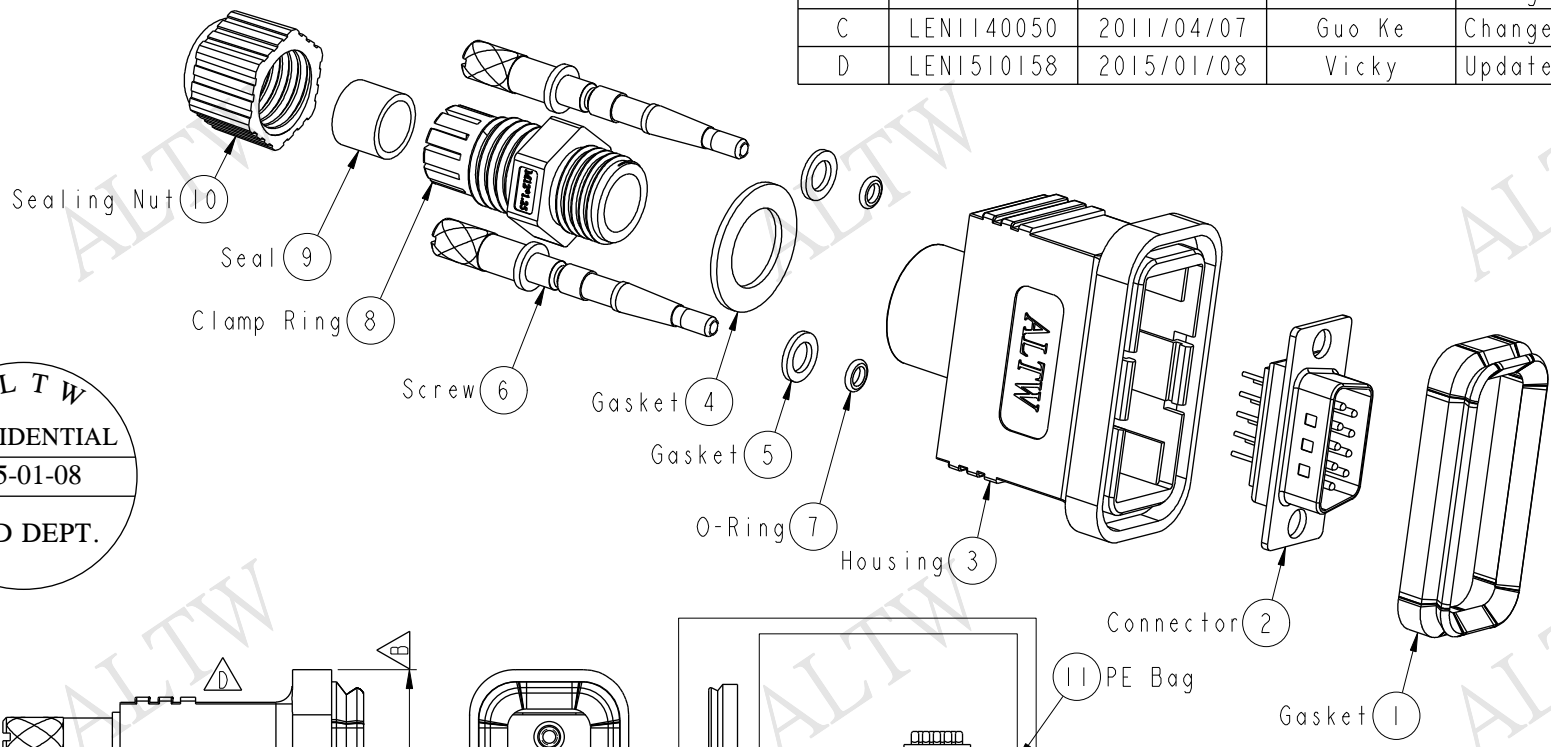
Tel: +86-755-8981 8866 Fax: +86-755-8427 6832

Email & Skype: info@chipsmall.com Web: www.chipsmall.com

Address: A1208, Overseas Decoration Building, #122 Zhenhua RD., Futian, Shenzhen, China

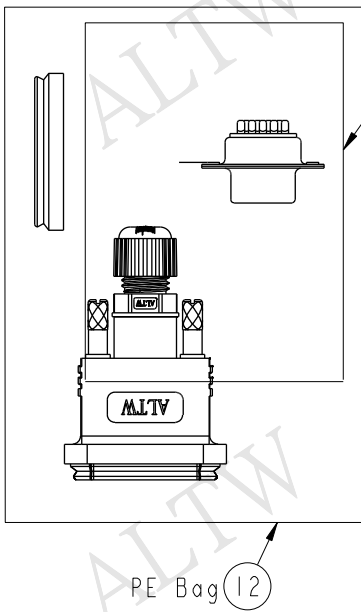
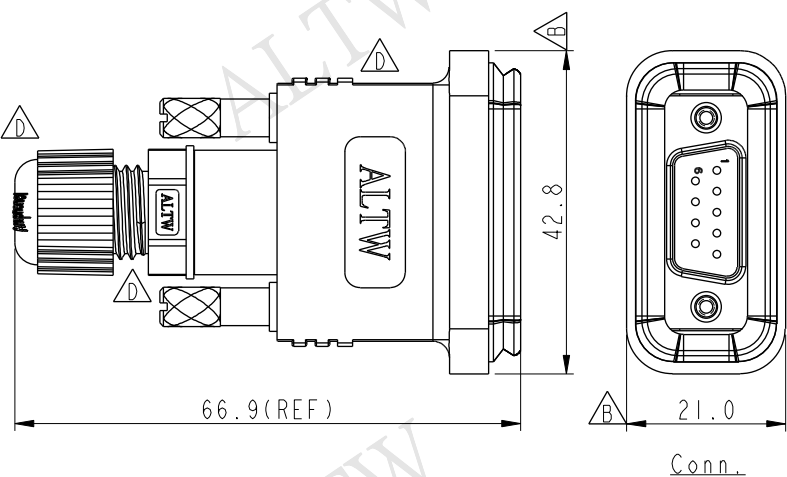


REV.	ECN NO.	DATE	SIGN	DESCRIPTION
B	LEN-050025	2010/04/10	Li Xiu Zhi	Change Dimension.
C	LEN1140050	2011/04/07	Guo Ke	Change Female Pin To Male Pin
D	LEN1510158	2015/01/08	Vicky	Update Logo



ALTW  
CONFIDENTIAL  
2015-01-08  
R&D DEPT.

ALTW  
DCC. DEPT.  
CONFIDENTIAL  
2015.01.15  
ISSUED



- Note:
- \* Waterproof Rate: IP67
  - \* Housing: ABS, Black.
  - \* Connector: D-SUB 09Pin, Male Pin: Brass, Gold Flash.
  - \* Gasket: EPDM, Black.
  - \* Screw: Brass, Nickel Plated.
  - \* O-Ring: Silicone, Clear.
  - \* Seal For Cable OD:  $\varnothing 3.5\text{mm} \sim \varnothing 7.0\text{mm}$
  - \* Clamp Ring: Nylon, Black.
  - \* Seal: EPDM, Black.
  - \* Sealing Nut: Nylon, Black.
  - \* One Set Unassembled in One PE Bag.

A	UNIT:mm		TITLE		ITEM NO		DRAWN BY	DATE
	TOLERANCE	$\pm 0.5 \text{ mm}$	D-SUB 9Pin Assembly Type		SDB-09BMMMA-SL7001		Vicky	2015-01-08
	SCALE	1:1	SIZE	A4	SHEET	1	OF	1
	REV.	D	WC-REV.	A.2	QC: Inspection item		CHECKED BY	DATE
				Amphenol LTW		CUSTOMER		DATE
				安費諾亮泰企業股份有限公司		ALTW		2015-01-08
						APPROVED BY		DATE
						Rita		2015-01-08
								8 FMM10702-01-02A1

THIS DOCUMENT IS SUBJECT TO CHANGE WITHOUT NOTICE. IT IS CONFIDENTIAL AND A PROPERTY OF Amphenol LTW. DISCLOSURE TO THIRD PARTY HAS TO BE AUTHORIZED BY Amphenol LTW.