



Chipsmall Limited consists of a professional team with an average of over 10 year of expertise in the distribution of electronic components. Based in Hongkong, we have already established firm and mutual-benefit business relationships with customers from,Europe,America and south Asia,supplying obsolete and hard-to-find components to meet their specific needs.

With the principle of “Quality Parts,Customers Priority,Honest Operation,and Considerate Service”,our business mainly focus on the distribution of electronic components. Line cards we deal with include Microchip,ALPS,ROHM,Xilinx,Pulse,ON,Everlight and Freescale. Main products comprise IC,Modules,Potentiometer,IC Socket,Relay,Connector.Our parts cover such applications as commercial,industrial, and automotives areas.

We are looking forward to setting up business relationship with you and hope to provide you with the best service and solution. Let us make a better world for our industry!



Contact us

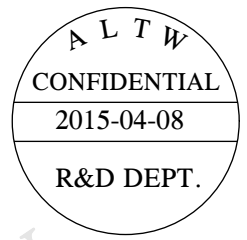
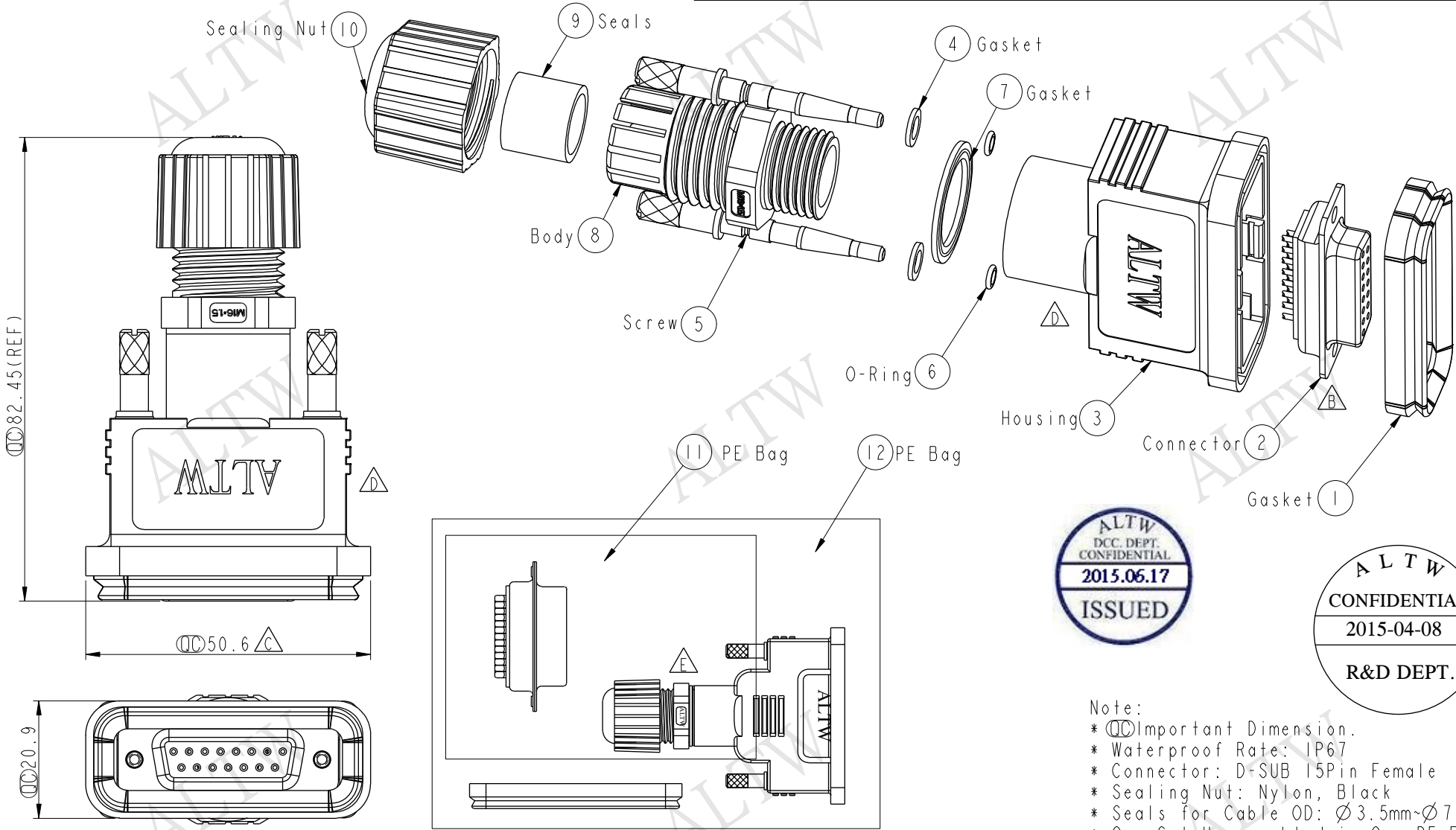
Tel: +86-755-8981 8866 Fax: +86-755-8427 6832

Email & Skype: info@chipsmall.com Web: www.chipsmall.com

Address: A1208, Overseas Decoration Building, #122 Zhenhua RD., Futian, Shenzhen, China



REV.	ECN NO.	DATE	SIGN	DESCRIPTION
C	LEN1390066	2013/08/26	Tony_leng	Change 50.58 To 50.6
D	LEN1520155	2015/01/27	Ruru	Change Logo
E	LEN1560198	2015/04/08	Ruru	Change Logo



Note:
 * \varnothing Important Dimension.
 * Waterproof Rate: IP67
 * Connector: D-SUB 15Pin Female
 * Sealing Nut: Nylon, Black
 * Seals for Cable OD: \varnothing 3.5mm~ \varnothing 7.0mm
 * One Set Unassembled in One PE Bag

UNIT:mm TOLERANCE ± 0.5 mm	TITLE D-SUB Conn Assy Screw DB15P F Conn F Pin			Amphenol LTW 安費諾亮泰企業股份有限公司	ITEM NO SDB-15BFFA-SL7001	DRAWN BY Ruru	DATE 2015-04-08
	SCALE 1:1	SIZE A4	SHEET 1 OF 1		DWG NO SDB-15BFFA-SL7001	CHECKED BY Rita	DATE 2015-04-08
	REV. E	WC-REV. A.4	\varnothing : Inspection item		CUSTOMER ALTW	APPROVED BY Lion	DATE 2015-04-08

THIS DOCUMENT IS SUBJECT TO CHANGE WITHOUT NOTICE. IT IS CONFIDENTIAL AND A PROPERTY OF Amphenol LTW. DISCLOSURE TO THIRD PARTY HAS TO BE AUTHORIZED BY Amphenol LTW.