



Chipsmall Limited consists of a professional team with an average of over 10 year of expertise in the distribution of electronic components. Based in Hongkong, we have already established firm and mutual-benefit business relationships with customers from,Europe,America and south Asia,supplying obsolete and hard-to-find components to meet their specific needs.

With the principle of “Quality Parts,Customers Priority,Honest Operation,and Considerate Service”,our business mainly focus on the distribution of electronic components. Line cards we deal with include Microchip,ALPS,ROHM,Xilinx,Pulse,ON,Everlight and Freescale. Main products comprise IC,Modules,Potentiometer,IC Socket,Relay,Connector.Our parts cover such applications as commercial,industrial, and automotives areas.

We are looking forward to setting up business relationship with you and hope to provide you with the best service and solution. Let us make a better world for our industry!



## Contact us

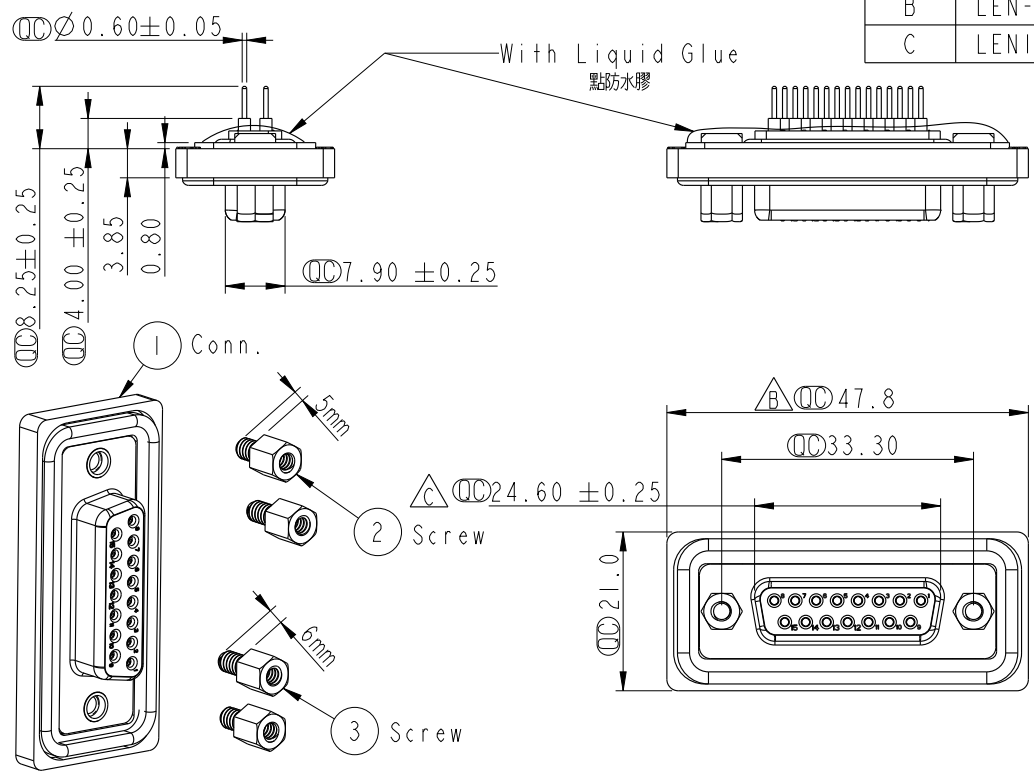
Tel: +86-755-8981 8866 Fax: +86-755-8427 6832

Email & Skype: info@chipsmall.com Web: www.chipsmall.com

Address: A1208, Overseas Decoration Building, #122 Zhenhua RD., Futian, Shenzhen, China



REV.	ECN NO.	DATE	SIGN	DESCRIPTION
B	LEN-850010	2008/05/05	Allan	Modify Tolerance
C	LEN1390091	2013/06/13	Tony_leng	Change 24.66 To 24.60



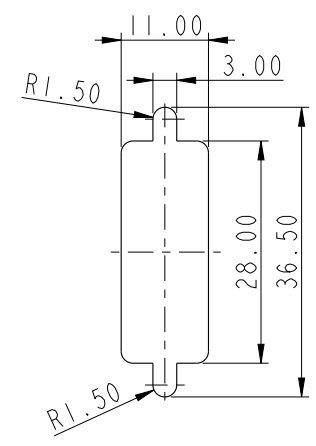
**ALTW**  
**CONFIDENTIAL**  
**2013-06-13**  
**R&D DEPT.**

**ALTW**  
**DCC. DEPT.**  
**CONFIDENTIAL**  
**2013.09.05**  
**ISSUED**

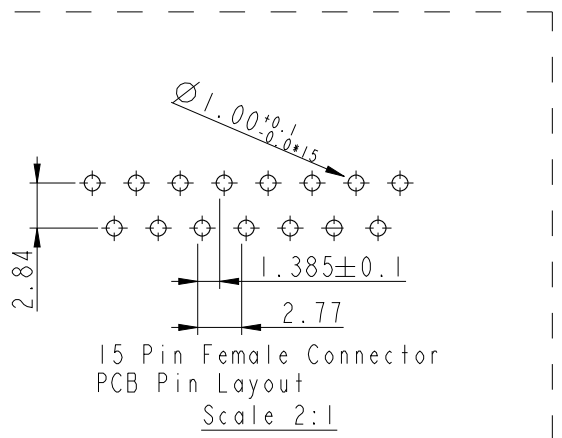


Screw L=5.0 For Panel Thickness Under 1.2mm  
 適用板厚為1.2mm以下

Screw L=6.0 For Panel Thickness Between 1.2~2.0mm  
 適用板厚為1.2~2.0mm



Recommended Panel Cut-Out  
 建議挖孔尺寸



- Note:
- \*  $\varnothing$  Important Dimension.
  - \* Waterproof Rate : IP68  
 IP68: 1M of depth of water 24 hours  
 (防水等級: IP68)  
 (IP68: 1米水深24小時)
  - \* Do Mating Test After Glued  
 點膠後, 須作對插測試
  - \* D-SUB Conn. : Black Core , PBT
  - \* Plastic Jacket : Black , Nylon+GF
  - \* Pin : Copper Alloy , Gold Plated
  - \* Ring : Light Blue, Silicone
  - \* Screw : Copper Alloy, Nickel Plated, #4-40 UNC

UNIT: mm		TITLE D-SUB Conn. Panel Screw DB15P F Conn. F Pin			<b>Amphenol LTW</b> <b>安費諾亮泰企業股份有限公司</b>	ITEM NO SDB-15PFFP-SL8001	DRAWN BY Tony_leng	DATE 2013-06-13
		TOLERANCE .X ±0.25 .XX ±0.1 .XXX ±0.05 ANGLES ±1°	SCALE 1:1	SIZE A4		SHEET 1 OF 1	DWG NO SDB-15PFFP-SL8001	CHECKED BY Yulong
		REV. C	WC-REV. A.4	Inspection item	CUSTOMER ALTW	APPROVED BY Victor	DATE 2013-06-13	

THIS DOCUMENT IS SUBJECT TO CHANGE WITHOUT NOTICE. IT IS CONFIDENTIAL AND A PROPERTY OF Amphenol LTW. DISCLOSURE TO THIRD PARTY HAS TO BE AUTHORIZED BY Amphenol LTW.