



Chipsmall Limited consists of a professional team with an average of over 10 year of expertise in the distribution of electronic components. Based in Hongkong, we have already established firm and mutual-benefit business relationships with customers from,Europe,America and south Asia,supplying obsolete and hard-to-find components to meet their specific needs.

With the principle of “Quality Parts,Customers Priority,Honest Operation,and Considerate Service”,our business mainly focus on the distribution of electronic components. Line cards we deal with include Microchip,ALPS,ROHM,Xilinx,Pulse,ON,Everlight and Freescale. Main products comprise IC,Modules,Potentiometer,IC Socket,Relay,Connector.Our parts cover such applications as commercial,industrial, and automotives areas.

We are looking forward to setting up business relationship with you and hope to provide you with the best service and solution. Let us make a better world for our industry!



## Contact us

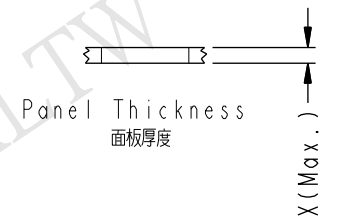
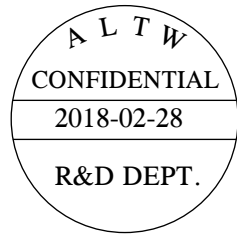
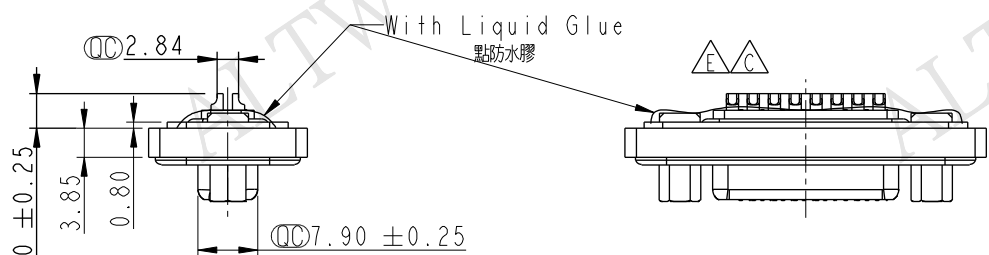
Tel: +86-755-8981 8866 Fax: +86-755-8427 6832

Email & Skype: info@chipsmall.com Web: www.chipsmall.com

Address: A1208, Overseas Decoration Building, #122 Zhenhua RD., Futian, Shenzhen, China

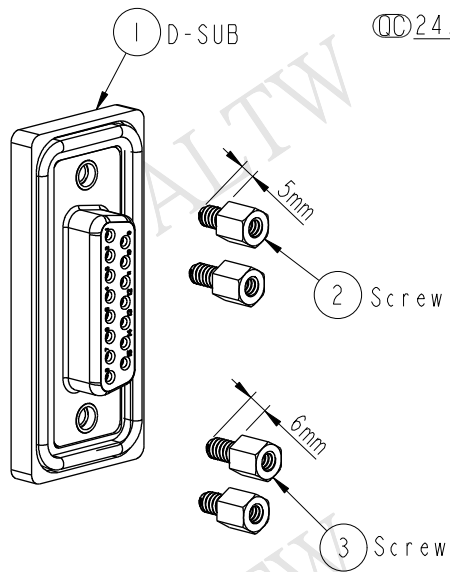
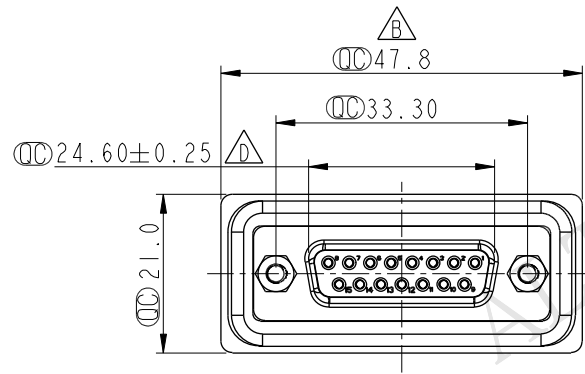


REV.	ECN NO.	DATE	SIGN	DESCRIPTION
C	LEN-970140	2009/07/10	Vicky	Remove Pin Dim.
D	LEN1390093	2013/06/13	Tony_leng	Change 24.66 To 24.60
E	LEN1830036	2018/02/28	Wen	Check Pin Solder Cup Direction.

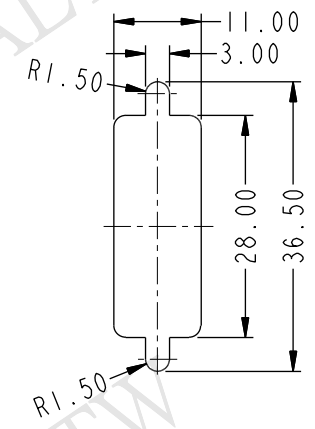


Screw L=5.0 For Panel Thickness Under 1.2mm  
適用板厚為 1.2mm 以下

Screw L=6.0 For Panel Thickness Between 1.2~2.0mm  
適用板厚為 1.2~2.0mm



- Note:
- \*  $\varnothing$  Important Dimension.
  - \* Waterproof Rate: IP68  
IP68: 1M of depth of water 24 hours (防水等級: IP68)  
(IP68: 1米水深24小時)
  - \* Do Mating Test After Glued (點膠後, 須作對插測試)
  - \* Housing: Black, Nylon+GF.
  - \* Connector: Black, PBT.
  - \* Female Pin: Copper Alloy, Gold Plated.
  - \* Ring: Light Blue, Silicone.
  - \* Screw: Copper Alloy, Nickel Plated, #4-40 UNC.
  - \* Applicable Wire Range: 22AWG-26AWG.  
適用電線範圍: 22AWG-26AWG



Recommended Panel Cut-Out  
建議挖孔尺寸

UNIT: mm		
TOLERANCE	.X ±0.25	
.XX ±0.1		
.XXX ±0.05		
ANGLES	±1°	

TITLE D-SUB Conn. Panel Screw DB15P F Conn. F Pin			
SCALE 1:1	SIZE A4	SHEET 1 OF 1	
REV. E	WC-REV. A.4	$\varnothing$ : Inspection item	

**Amphenol LTW**  
安費諾亮泰企業股份有限公司

ITEM NO. SDB-15PFFS-SL8001	DRAWN BY Wen	DATE 2018-02-28
DWG NO. SDB-15PFFS-SL8001	CHECKED BY Neo	DATE 2018-02-28
CUSTOMER ALTW	APPROVED BY Max	DATE 2018-02-28

THIS DOCUMENT IS SUBJECT TO CHANGE WITHOUT NOTICE. IT IS CONFIDENTIAL AND A PROPERTY OF Amphenol LTW. DISCLOSURE TO THIRD PARTY HAS TO BE AUTHORIZED BY Amphenol LTW.