



Chipsmall Limited consists of a professional team with an average of over 10 year of expertise in the distribution of electronic components. Based in Hongkong, we have already established firm and mutual-benefit business relationships with customers from,Europe,America and south Asia,supplying obsolete and hard-to-find components to meet their specific needs.

With the principle of “Quality Parts,Customers Priority,Honest Operation,and Considerate Service”,our business mainly focus on the distribution of electronic components. Line cards we deal with include Microchip,ALPS,ROHM,Xilinx,Pulse,ON,Everlight and Freescale. Main products comprise IC,Modules,Potentiometer,IC Socket,Relay,Connector.Our parts cover such applications as commercial,industrial, and automotives areas.

We are looking forward to setting up business relationship with you and hope to provide you with the best service and solution. Let us make a better world for our industry!



## Contact us

Tel: +86-755-8981 8866 Fax: +86-755-8427 6832

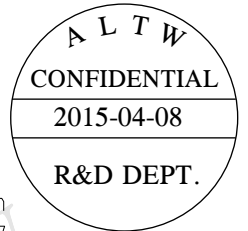
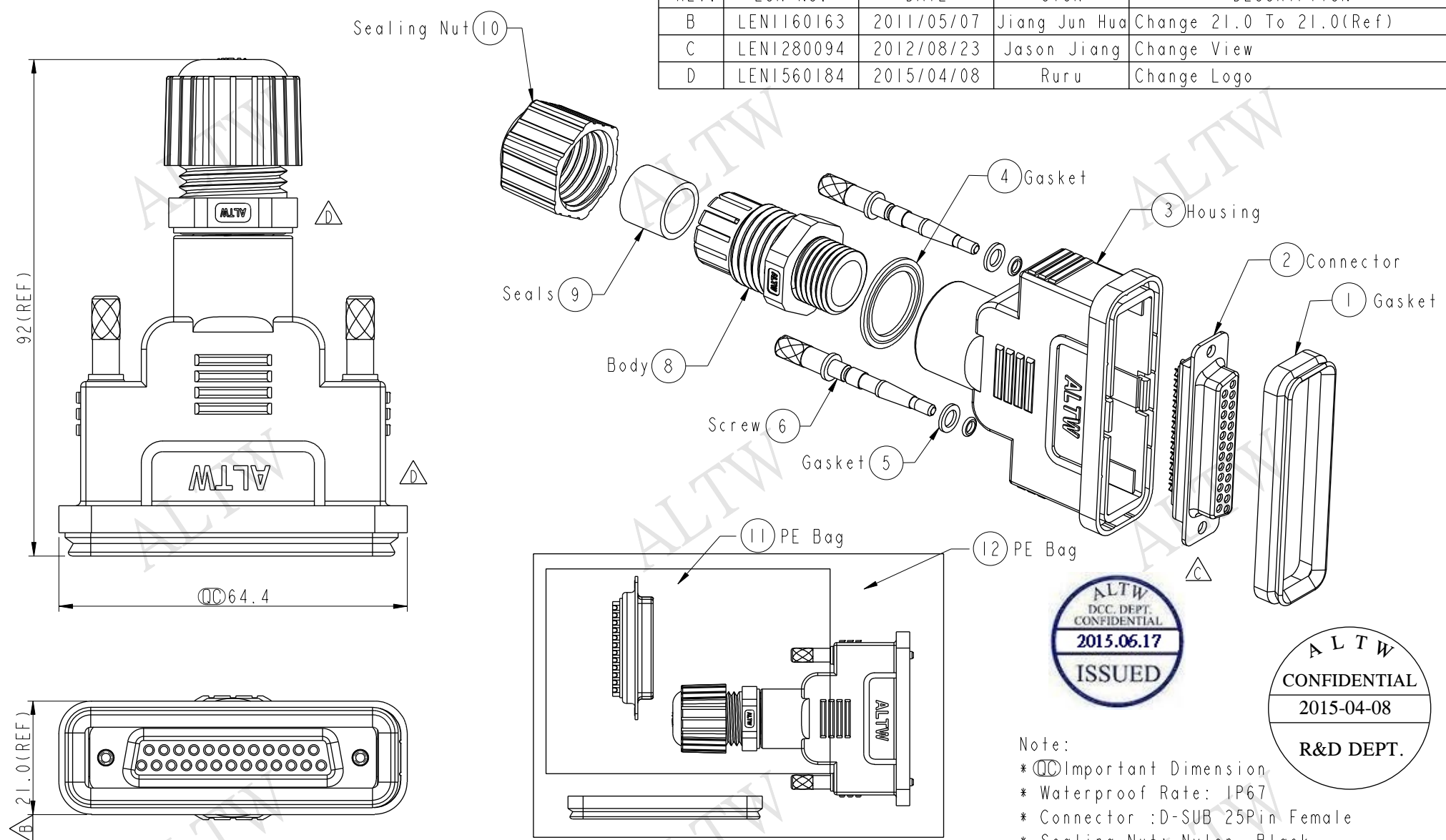
Email & Skype: info@chipsmall.com Web: www.chipsmall.com

Address: A1208, Overseas Decoration Building, #122 Zhenhua RD., Futian, Shenzhen, China



THIS DOCUMENT IS SUBJECT TO CHANGE WITHOUT NOTICE. IT IS CONFIDENTIAL AND A PROPERTY OF Amphenol LTW. DISCLOSURE TO THIRD PARTY HAS TO BE AUTHORIZED BY Amphenol LTW.

REV.	ECN NO.	DATE	SIGN	DESCRIPTION
B	LEN1160163	2011/05/07	Jiang Jun Hua	Change 21.0 To 21.0(Ref)
C	LEN1280094	2012/08/23	Jason Jiang	Change View
D	LEN1560184	2015/04/08	Ruru	Change Logo



Note:

- \*  $\varnothing$  Important Dimension
- \* Waterproof Rate: IP67
- \* Connector : D-SUB 25Pin Female
- \* Sealing Nut: Nylon, Black.
- \* Seals For Cable OD:  $\varnothing 6.0\text{mm} \sim \varnothing 10.0\text{mm}$
- \* One Set Unassembled In One PE Bag

UNIT:mm	
TOLERANCE	$\pm 0.5\text{mm}$

TITLE DSUB Conn Assy Screw DB25P F Conn F Pin			
SCALE 1:1	SIZE A4	SHEET 1 OF 1	
REV. D	WC-REV. A.3	$\varnothing$ : Inspection item	

**Amphenol LTW**  
安費諾亮泰企業股份有限公司

ITEM NO SDB-25BFFA-SL7001	DRAWN BY Ruru	DATE 2015-04-08
DWG NO SDB-25BFFA-SL7001	CHECKED BY Rita	DATE 2015-04-08
CUSTOMER ALTW	APPROVED BY Lion	DATE 2015-04-08