



Chipsmall Limited consists of a professional team with an average of over 10 year of expertise in the distribution of electronic components. Based in Hongkong, we have already established firm and mutual-benefit business relationships with customers from,Europe,America and south Asia,supplying obsolete and hard-to-find components to meet their specific needs.

With the principle of “Quality Parts,Customers Priority,Honest Operation,and Considerate Service”,our business mainly focus on the distribution of electronic components. Line cards we deal with include Microchip,ALPS,ROHM,Xilinx,Pulse,ON,Everlight and Freescale. Main products comprise IC,Modules,Potentiometer,IC Socket,Relay,Connector.Our parts cover such applications as commercial,industrial, and automotives areas.

We are looking forward to setting up business relationship with you and hope to provide you with the best service and solution. Let us make a better world for our industry!



## Contact us

Tel: +86-755-8981 8866 Fax: +86-755-8427 6832

Email & Skype: info@chipsmall.com Web: www.chipsmall.com

Address: A1208, Overseas Decoration Building, #122 Zhenhua RD., Futian, Shenzhen, China

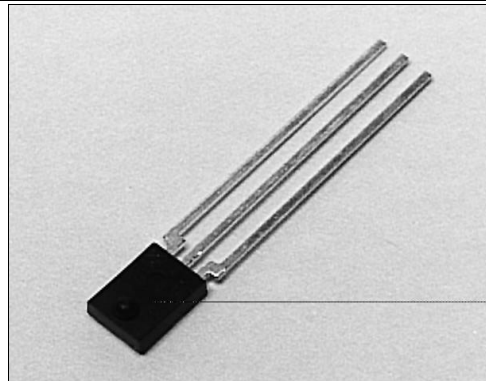


# SDP8604/8614

## Optoschmitt Detector 10 k Ohm Pull-Up Output

### FEATURES

- Side-looking plastic package
- 55° (nominal) acceptance angle
- TTL/LSTTL/CMOS compatible
- 10Ω pull- up output
- Buffer or inverting logic available
- High noise immunity output
- Mechanically and spectrally matched to SEP8506 and SEP8706 infrared emitting diodes



INFRA-8.TIF

### DESCRIPTION

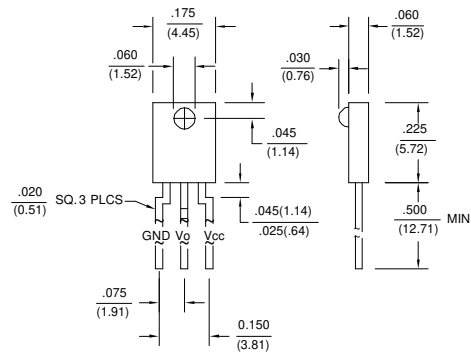
The SDP8604/8614 series consists of a high speed IC molded in a side-looking black plastic package to minimize the effect of visible ambient light. The detector incorporates a Schmitt trigger which provides pulse shaping and hysteresis for noise immunity. Detector output is an NPN silicon transistor with a 10 kΩ (nominal) pull-up resistor. This option eliminates the need for an external load resistor to generate an output signal voltage. Output rise and fall times are independent of rate of change of incident light. Detector sensitivity has been internally temperature compensated. For additional output configuration options refer to SDP8004/8014 and SDP8304/8314.

### Device Polarity:

- Buffer - Output is HI when incident light intensity is above the turn- on threshold level.
- Inverter - Output is LO when incident light intensity is above the turn- on threshold level.

### OUTLINE DIMENSIONS in inches (mm)

Tolerance	3 plc decimals	±0.005(0.12)
	2 plc decimals	±0.020(0.51)



DIM\_026.dwg

# SDP8604/8614

## Optoschmitt Detector 10 k Ohm Pull-Up Output

### ELECTRICAL CHARACTERISTICS (-40°C to +85°C unless otherwise noted)

PARAMETER	SYMBOL	MIN	TYP	MAX	UNITS	TEST CONDITIONS
Operating Supply Voltage	V <sub>CC</sub>	4.5	12.0		V	T <sub>A</sub> =25°C
Turn-on Threshold Irradiance <sup>(2)</sup> SDP8604-301, SDP8614-301	E <sub>ET(+)</sub>	0.06	0.37		mW/cm <sup>2</sup>	V <sub>CC</sub> =5 V T <sub>A</sub> =25°C
Hysteresis <sup>(3)</sup>	HYST	33	67		%	
Supply Current	I <sub>CC</sub>			15.0	mA	V <sub>CC</sub> =12 V E <sub>e</sub> =0 Or 3.0 mW/cm <sup>2</sup>
High Level Output Voltage SDP8604 SDP8614	V <sub>OH</sub>	2.4 2.4			V	V <sub>CC</sub> =4.5 V, I <sub>OH</sub> =0 E <sub>e</sub> =3.0 mW/cm <sup>2</sup> E <sub>e</sub> =0
Low Level Output Voltage SDP8604 SDP8614	V <sub>OL</sub>		0.4 0.4		V	V <sub>CC</sub> =4.5 V, I <sub>OL</sub> =12.8 mA E <sub>e</sub> =0 E <sub>e</sub> =3.0 mW/cm <sup>2</sup>
Internal Pull-Up Resistor	R <sub>INT</sub>	5.0	10.0	20.0	kΩ	
Operate Point Temperature Coefficient			-0.76		%/°C	Emitter @ Constant Temperature
Output Rise Time, Output Fall Time	t <sub>r</sub> , t <sub>f</sub>		70		ns	V <sub>CC</sub> =5 V, T <sub>A</sub> =25°C E <sub>e</sub> =0 or 3.0 mW/cm <sup>2</sup> f=10.0 kHz, D.C.=50% R <sub>L</sub> =390 Ω
Propagation Delay, Low-High, High-Low	t <sub>PLH</sub> , t <sub>PHL</sub>		2.5	5.0	μs	V <sub>CC</sub> =5 V, T <sub>A</sub> =25°C E <sub>e</sub> =0 or 3.0 mW/cm <sup>2</sup> f=10.0 kHz, D.C.=50% R <sub>L</sub> =390 Ω
Clock Frequency				100	kHz	R <sub>L</sub> =390 Ω, C <sub>L</sub> =50 pF

#### Notes

- It is recommended that a bypass capacitor, 0.1 μF typical, be added between V<sub>CC</sub> and GND near the device in order to stabilize power supply line.
- The radiation source is an IRED with a peak wavelength of 935 nm.
- Hysteresis is defined as the difference between the operating and release threshold intensities, expressed as a percentage of the operate threshold intensity.

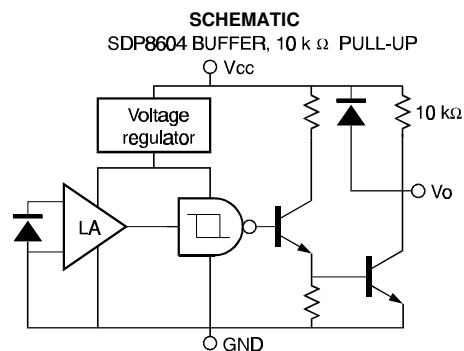
### ABSOLUTE MAXIMUM RATINGS

(25°C Free-Air Temperature unless otherwise noted)

Supply Voltage	12 V <sup>(1)</sup>
Duration of Output Short to V <sub>CC</sub> or Ground	1.0 sec
Low Level Output Current	16.0 mA
Irradiance	25 mW/cm <sup>2</sup>
Operating Temperature Range	-40°C to 85°C
Storage Temperature Range	-40°C to 85°C
Soldering Temperature (5 sec)	240°C

#### Notes

- Derate linearly from 25°C to 5.5 V at 85°C.



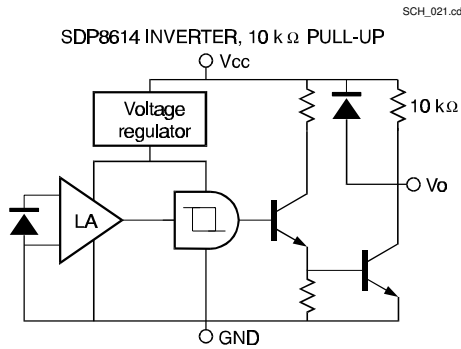
Honeywell reserves the right to make changes in order to improve design and supply the best products possible.

# Honeywell

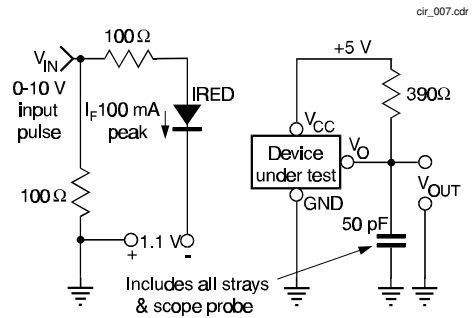
# SDP8604/8614

Optoschmitt Detector  
10 k Ohm Pull-Up Output

## SCHEMATIC



## SWITCHING TIME TEST CIRCUIT



## SWITCHING WAVEFORM FOR BUFFERS

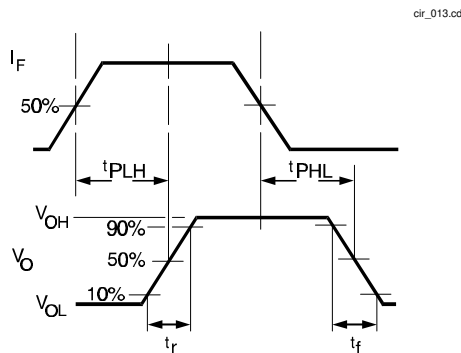
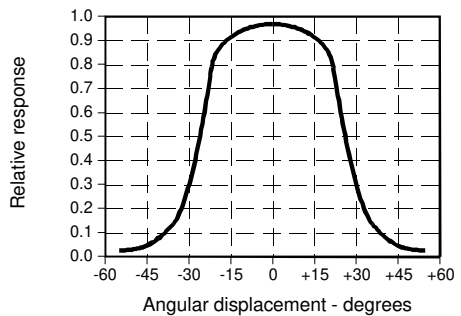


Fig. 1 Responsivity vs Angular Displacement



## SWITCHING WAVEFORM FOR INVERTERS

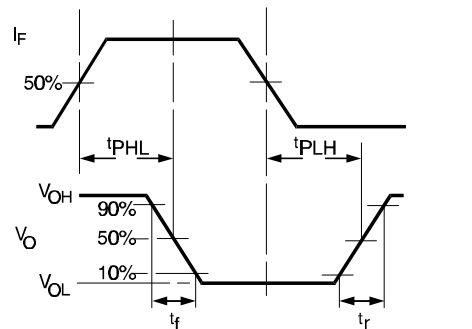
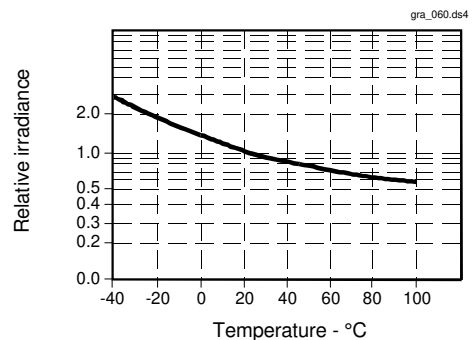


Fig. 2 Threshold Irradiance vs Temperature



# SDP8604/8614

## Optoschmitt Detector

### 10 k Ohm Pull-Up Output

Fig. 3 Output Rise Time ( $t_r$ ) and Output Fall Time ( $t_f$ ) vs Temperature gra\_061.ds4

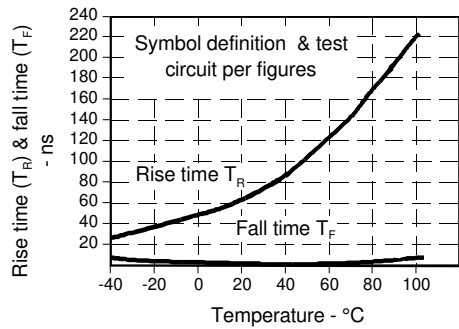


Fig. 4 Delay Time vs Temperature gra\_062.ds4

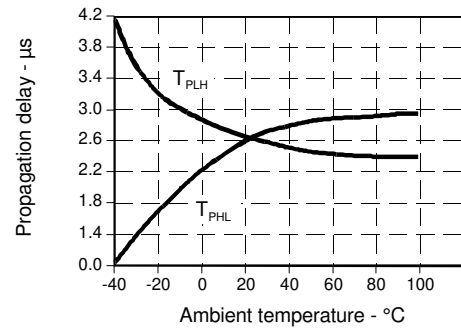
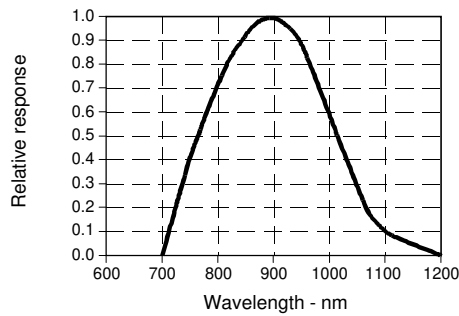


Fig. 5 Spectral Responsivity gra\_050.ds4



All Performance Curves Show Typical Values

Honeywell reserves the right to make changes in order to improve design and supply the best products possible.

# Honeywell