



Chipsmall Limited consists of a professional team with an average of over 10 year of expertise in the distribution of electronic components. Based in Hongkong, we have already established firm and mutual-benefit business relationships with customers from,Europe,America and south Asia,supplying obsolete and hard-to-find components to meet their specific needs.

With the principle of “Quality Parts,Customers Priority,Honest Operation,and Considerate Service”,our business mainly focus on the distribution of electronic components. Line cards we deal with include Microchip,ALPS,ROHM,Xilinx,Pulse,ON,Everlight and Freescale. Main products comprise IC,Modules,Potentiometer,IC Socket,Relay,Connector.Our parts cover such applications as commercial,industrial, and automotives areas.

We are looking forward to setting up business relationship with you and hope to provide you with the best service and solution. Let us make a better world for our industry!



## Contact us

Tel: +86-755-8981 8866 Fax: +86-755-8427 6832

Email & Skype: info@chipsmall.com Web: www.chipsmall.com

Address: A1208, Overseas Decoration Building, #122 Zhenhua RD., Futian, Shenzhen, China





### Features

- Height of 2.92 mm
- Current rating up to 2.9 A
- RoHS compliant\*

### Applications

- Input/output of DC/DC converters
- Power supplies for:
  - Portable communications equipment
  - Camcorders
  - LCD TVs
  - Car radios

## SDR6603 Series - SMD Power Inductors

### Electrical Specifications

Bourns Part No.	Inductance 100 kHz		Q Ref.	Test Frequency (MHz)	SRF Typ. (MHz)	DCR Max. (Ω)	I rms Max. (A)	I sat Typ. (A)
	(μH)	Tol. (%)						
SDR6603-1R0M	1.0	±20	20	7.96	130	0.05	2.9	2.9
SDR6603-1R5M	1.5	±20	19	7.96	115	0.05	2.8	2.6
SDR6603-2R2M	2.2	±20	18	7.96	90	0.07	2.4	2.3
SDR6603-3R3M	3.3	±20	18.5	7.96	70	0.08	2.0	2.0
SDR6603-4R7M	4.7	±20	17	7.96	50	0.09	1.5	1.5
SDR6603-6R8M	6.8	±20	15.5	7.96	45	0.13	1.4	1.2
SDR6603-8R2M	8.2	±20	10	7.96	40	0.16	1.3	1.15
SDR6603-100M	10	±20	17	2.52	35	0.16	1.1	1.1
SDR6603-150M	15	±20	17	2.52	30	0.23	1.0	0.90
SDR6603-220M	22	±20	16	2.52	20	0.37	0.80	0.70
SDR6603-330M	33	±20	24	2.52	15	0.51	0.60	0.58
SDR6603-470M	47	±20	15	2.52	14	0.64	0.50	0.50
SDR6603-680M	68	±20	18	2.52	11	0.86	0.40	0.40
SDR6603-820M	82	±20	10	2.52	10	1.18	0.35	0.35
SDR6603-101M	100	±20	29	0.796	9	1.3	0.30	0.31
SDR6603-151M	150	±20	41	0.796	6	2.0	0.25	0.27
SDR6603-221M	220	±20	33	0.796	5.5	3.2	0.20	0.22
SDR6603-331M	330	±20	42	0.796	5	3.8	0.16	0.18
SDR6603-471M	470	±20	42	0.796	4	5.1	0.15	0.16
SDR6603-681M	680	±20	58	0.796	3	9.2	0.12	0.14
SDR6603-821M	820	±20	40	0.796	2.5	12.6	0.10	0.12
SDR6603-102M	1000	±20	71	0.252	2	13.8	0.07	0.10

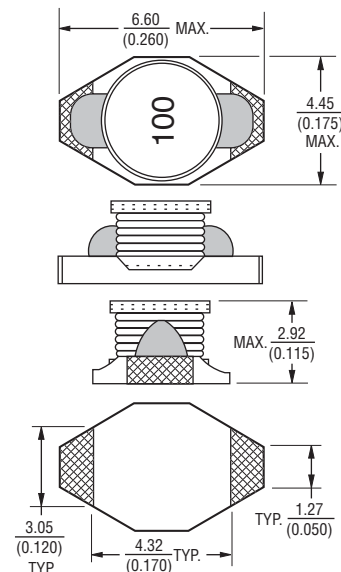
### General Specifications

Test Voltage.....0.1 V  
 Reflow soldering.....230 °C; 50 sec max.  
 Operating Temperature ..-40 °C to +125 °C  
 (Temperature rise included)  
 Storage Temperature..-40 °C to +125 °C  
 Resistance to Soldering Heat  
 .....260 °C, 10 sec. max.

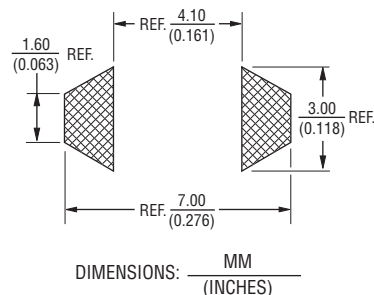
### Materials

Core.....Ferrite  
 Wire.....Enameled copper  
 Base.....Ceramic  
 Adhesive.....Epoxy resin  
 Terminal.....Ag/Ni/Au  
 Rated Current  
 .....Ind. drop 10 % typ. at Isat  
 Temperature Rise.....15 °C typical  
 at rated Irms  
 Packaging.....600 pcs. per reel

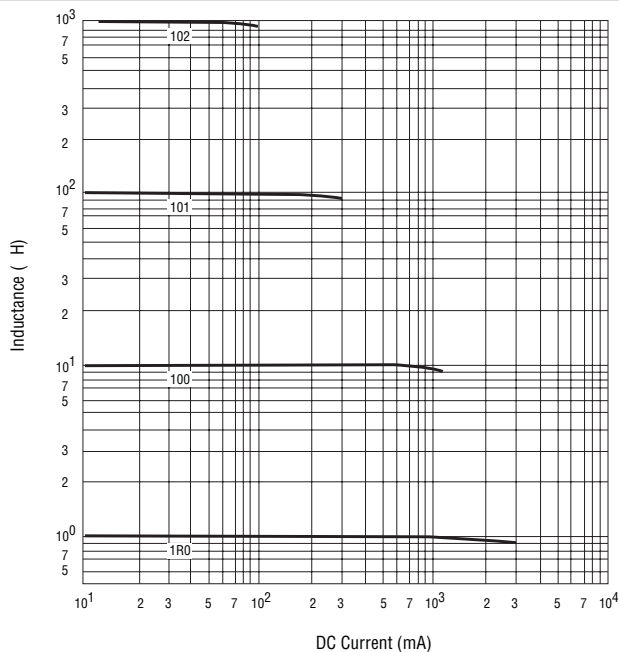
### Product Dimensions



### Recommended Layout



### Inductance vs. Current



\*RoHS Directive 2002/95/EC Jan 27 2003 including Annex  
 Specifications are subject to change without notice.  
 Customers should verify actual device performance in their specific applications.

