



Chipsmall Limited consists of a professional team with an average of over 10 year of expertise in the distribution of electronic components. Based in Hongkong, we have already established firm and mutual-benefit business relationships with customers from,Europe,America and south Asia,supplying obsolete and hard-to-find components to meet their specific needs.

With the principle of “Quality Parts,Customers Priority,Honest Operation,and Considerate Service”,our business mainly focus on the distribution of electronic components. Line cards we deal with include Microchip,ALPS,ROHM,Xilinx,Pulse,ON,Everlight and Freescale. Main products comprise IC,Modules,Potentiometer,IC Socket,Relay,Connector.Our parts cover such applications as commercial,industrial, and automotives areas.

We are looking forward to setting up business relationship with you and hope to provide you with the best service and solution. Let us make a better world for our industry!



Contact us

Tel: +86-755-8981 8866 Fax: +86-755-8427 6832

Email & Skype: info@chipsmall.com Web: www.chipsmall.com

Address: A1208, Overseas Decoration Building, #122 Zhenhua RD., Futian, Shenzhen, China



Model No: SDS-P830656
 Product Line: Peerless

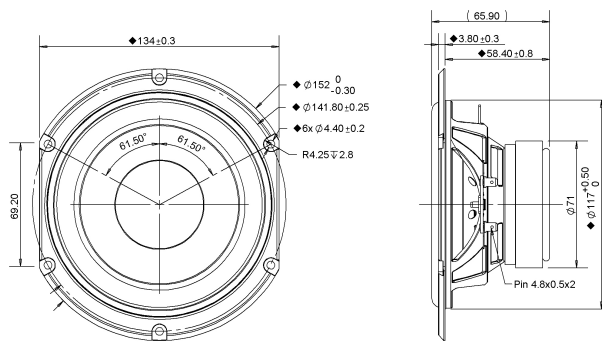
Rev: 1
 Last Update: 2017-03-03 02:00:02

Product Description

The SDS compact subwoofer family offers low resonant frequency performance, ideally suited for compact sealed enclosures. This 5.25 inch 8 ohm member of the SDS family offer a coated paper cone with rubber surround, a high power voice coil suspended in a ferrite magnet motor, and a narrow-profile steel basket, shaped to fit into narrow cabinets.



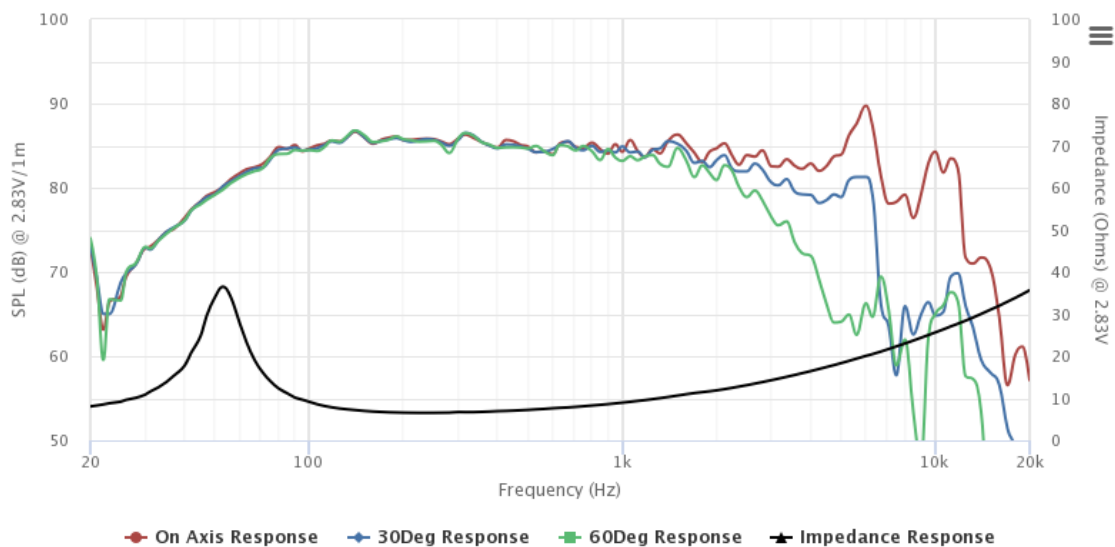
Mechanical Drawing



Specifications

| | | | | | | | |
|-------------------------------|-------------|--------|-------|-----------|----------------------------|---------|--------------------------|
| DC Resistance | Revc | Ohms | 6.06 | 5.0% | Energy Bandwidth Product | EBP | (1/Qes)*fs |
| Minimum Impedance | Zmin | Ohms | 6.54 | 7.5% | Moving Mass | Mms | g |
| Voice Coil Inductance | Le | mH | 0.37 | | Suspension Compliance | Cms | um/N |
| Resonant Frequency | Fs | Hz | 57.23 | 15% | Effective Cone diameter | D | cm |
| Mechanical Q Factor | Qms | | 3.6 | | Effective Piston Area | Sd | cm ² |
| Electrical Q Factor | Qes | 0.7 | | | Effective Volume | Vas | L |
| Total Q Factor | Qts | 0.59 | | | Motor Force Factor | BL | Tm |
| Ratio Fs/Qts | F | Fs/Qts | 97.33 | | Motor Efficiency Factor | β | (T*M ²)/Ohms |
| Half Space Sensitivity @2.83V | db@2.83V/1M | dB | 85.7 | +/- 1.0db | Voice coil former Material | VCfm | ASV |
| Half Space Sensitivity @1W/1M | db@1W/1M | dB | 84.8 | +/- 1.0db | Voice coil inner diameter | VCd | mm |
| Gap Height | Gh | mm | 6 | | Rated Noise Power | P | W |
| Maximum Linear Excursion | Xmax | mm | 3.5 | | Test Spectrum Bandwidth | | 50Hz - 5kHz |
| Ferrofluid Type | FF | | | | Driver Size | Inch | 5.25 in |
| Driver Mass | Kg | 0.68 | | | | | |

Frequency and Impedance Response



Highcharts.com