



Chipsmall Limited consists of a professional team with an average of over 10 year of expertise in the distribution of electronic components. Based in Hongkong, we have already established firm and mutual-benefit business relationships with customers from,Europe,America and south Asia,supplying obsolete and hard-to-find components to meet their specific needs.

With the principle of "Quality Parts,Customers Priority,Honest Operation,and Considerate Service",our business mainly focus on the distribution of electronic components. Line cards we deal with include Microchip,ALPS,ROHM,Xilinx,Pulse,ON,Everlight and Freescale. Main products comprise IC,Modules,Potentiometer,IC Socket,Relay,Connector.Our parts cover such applications as commercial,industrial, and automotives areas.

We are looking forward to setting up business relationship with you and hope to provide you with the best service and solution. Let us make a better world for our industry!



## Contact us

Tel: +86-755-8981 8866 Fax: +86-755-8427 6832

Email & Skype: info@chipsmall.com Web: www.chipsmall.com

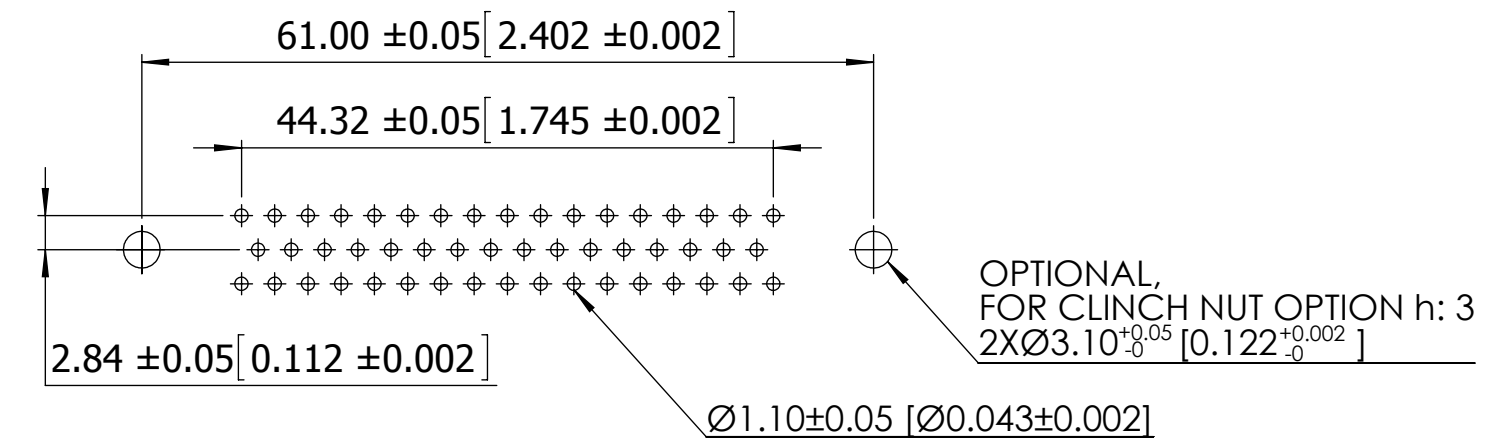
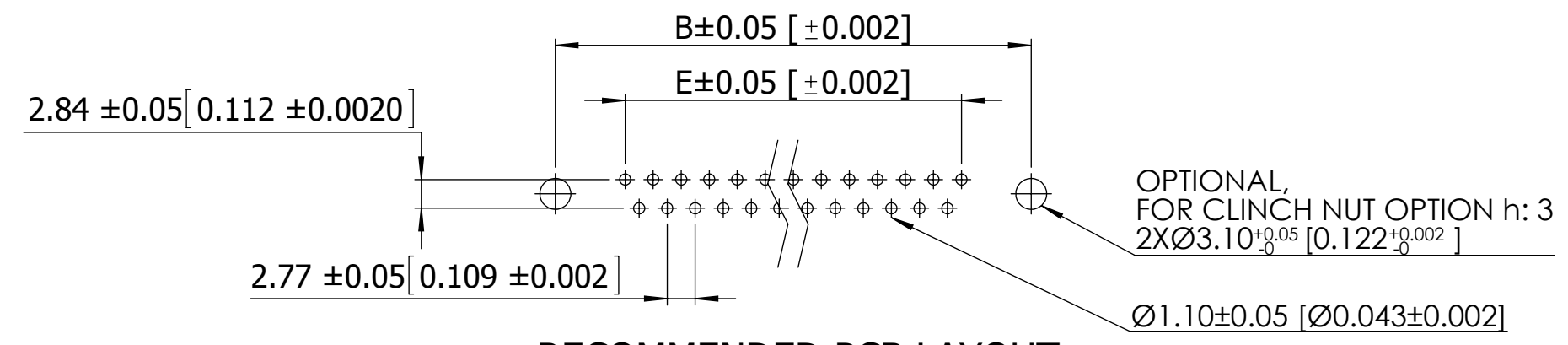
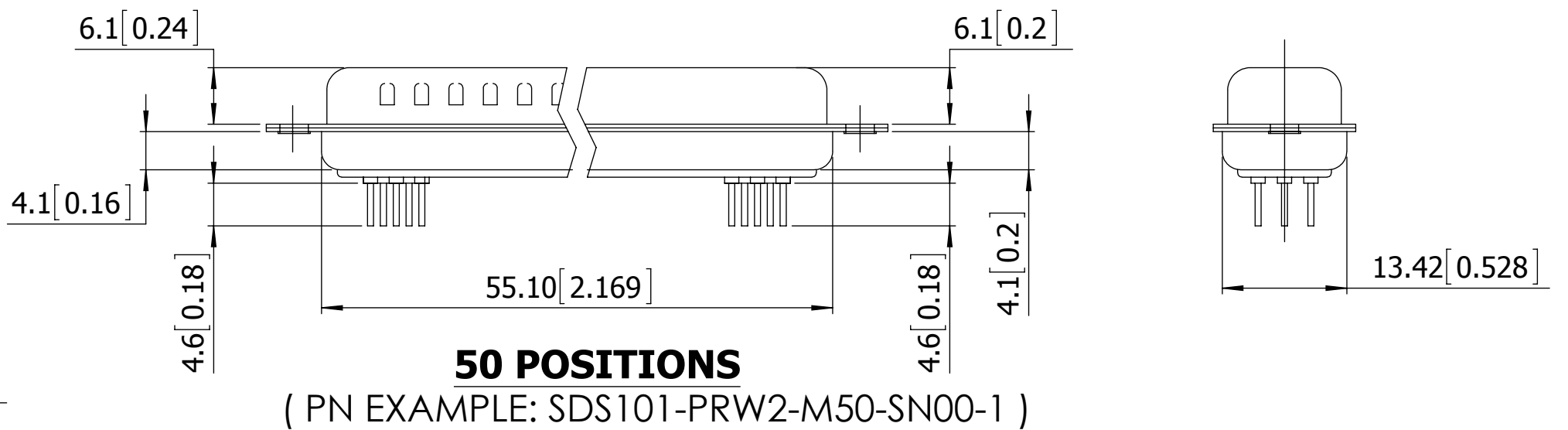
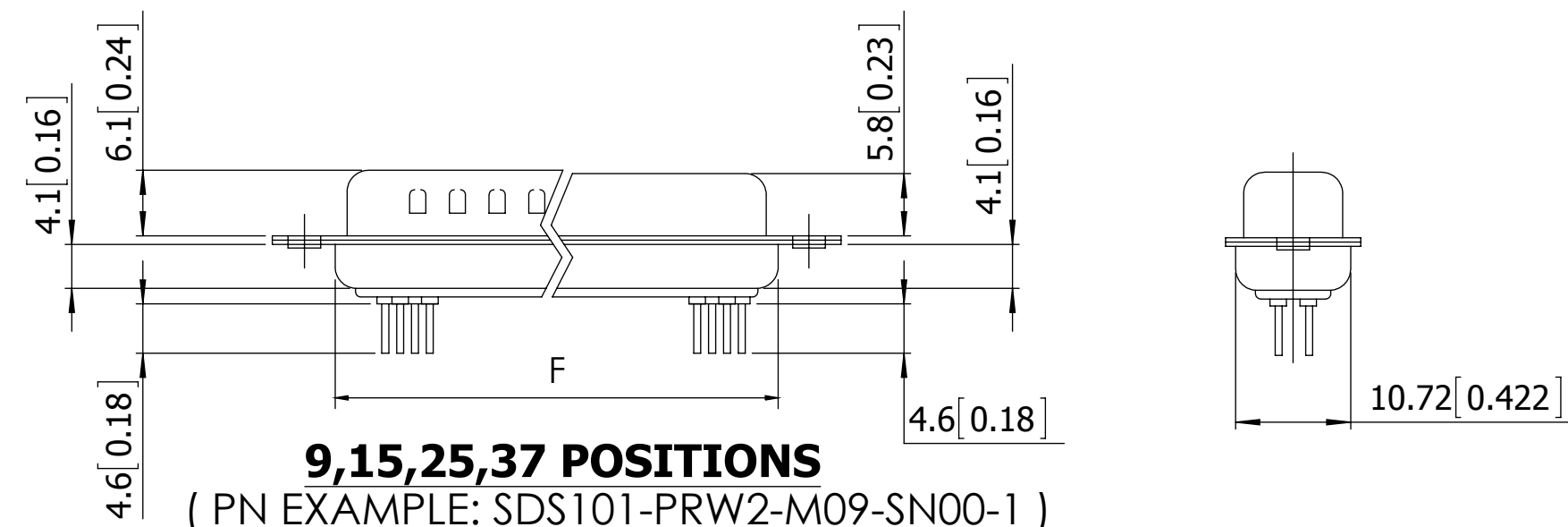
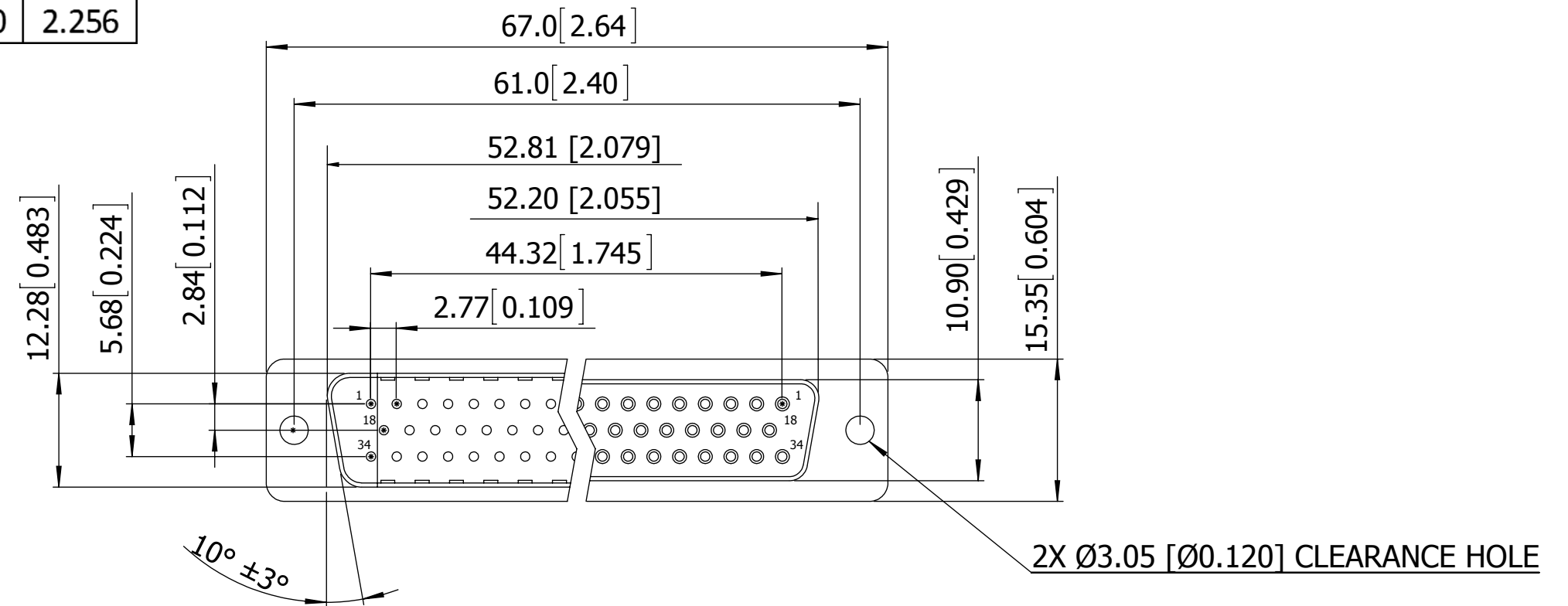
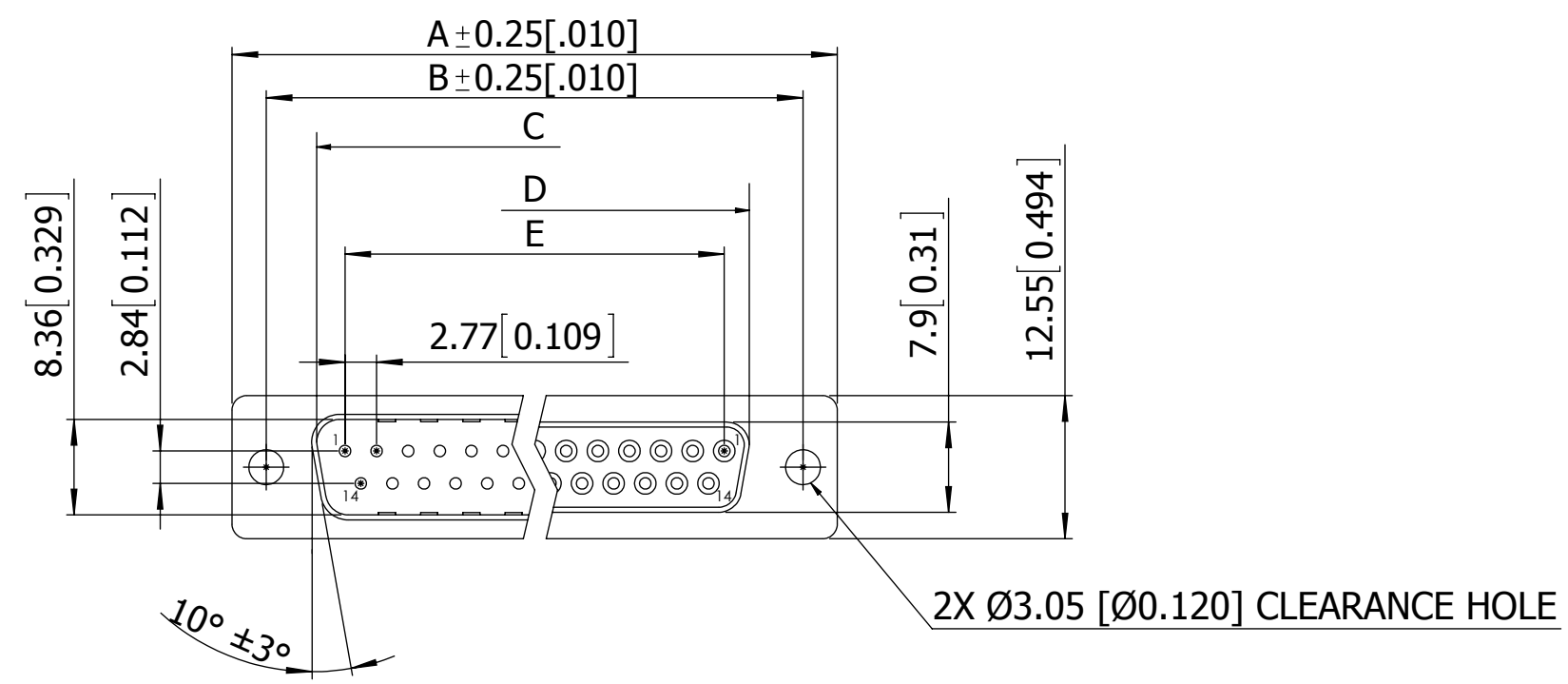
Address: A1208, Overseas Decoration Building, #122 Zhenhua RD., Futian, Shenzhen, China



**DIMENSIONS**

POSITIONS	A		B		C		D		E		F	
	MM	INCH	MM	INCH	MM	INCH	MM	INCH	MM	INCH	MM	INCH
09	30.81	1.213	24.99	0.984	16.92	0.666	16.33	0.643	11.08	0.436	19.20	0.756
15	39.20	1.543	33.30	1.311	25.25	0.994	24.70	0.972	19.39	0.763	27.70	1.091
25	53.05	2.088	47.04	1.852	38.96	1.534	38.40	1.512	33.24	1.309	41.10	1.618
37	69.40	2.732	63.50	2.500	55.42	2.182	54.80	2.158	49.86	1.963	57.30	2.256

REVISIONS				
REV.	ECO. NO	DESCRIPTION	DATE	BY
A	2398	INITIAL RELEASE	07/01/2011	LH
B	2576	UPDATE PART NUMBER CODING	05/10/2012	LH



**NOTES:**

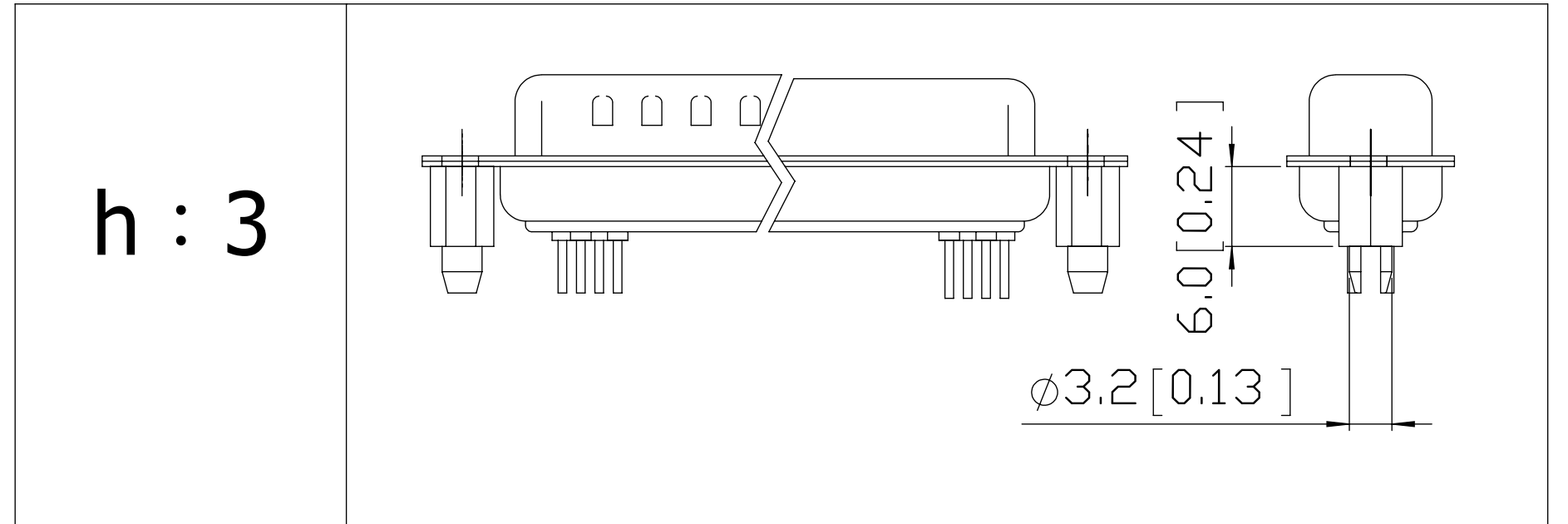
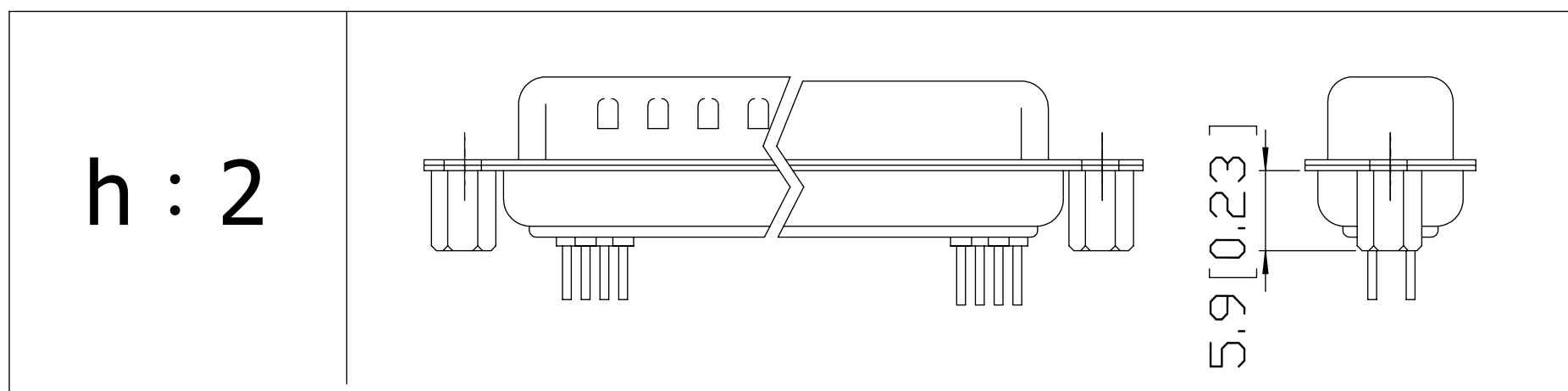
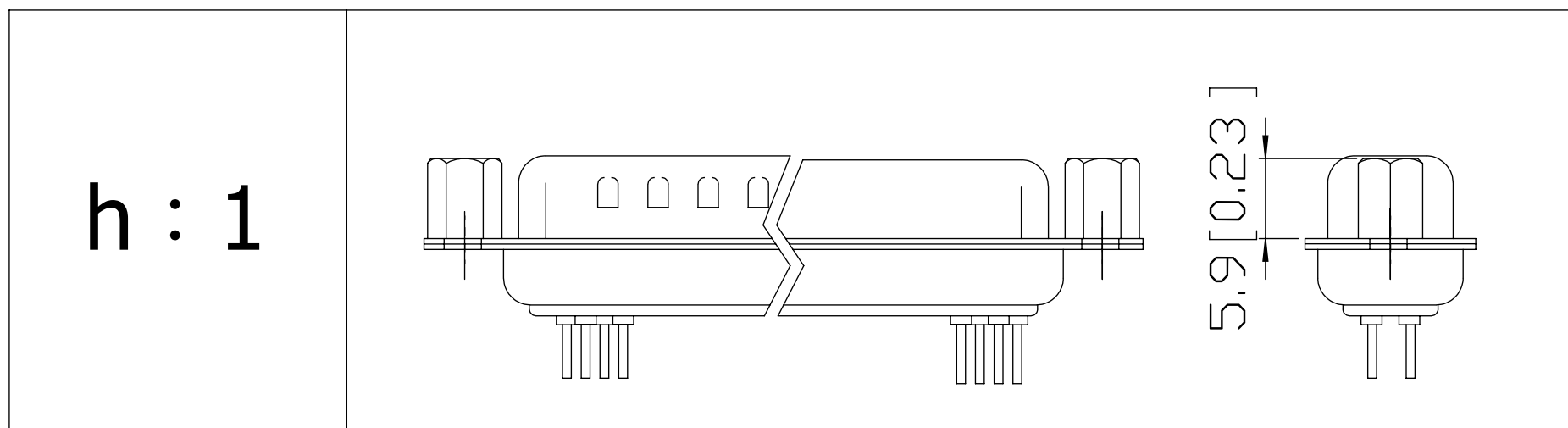
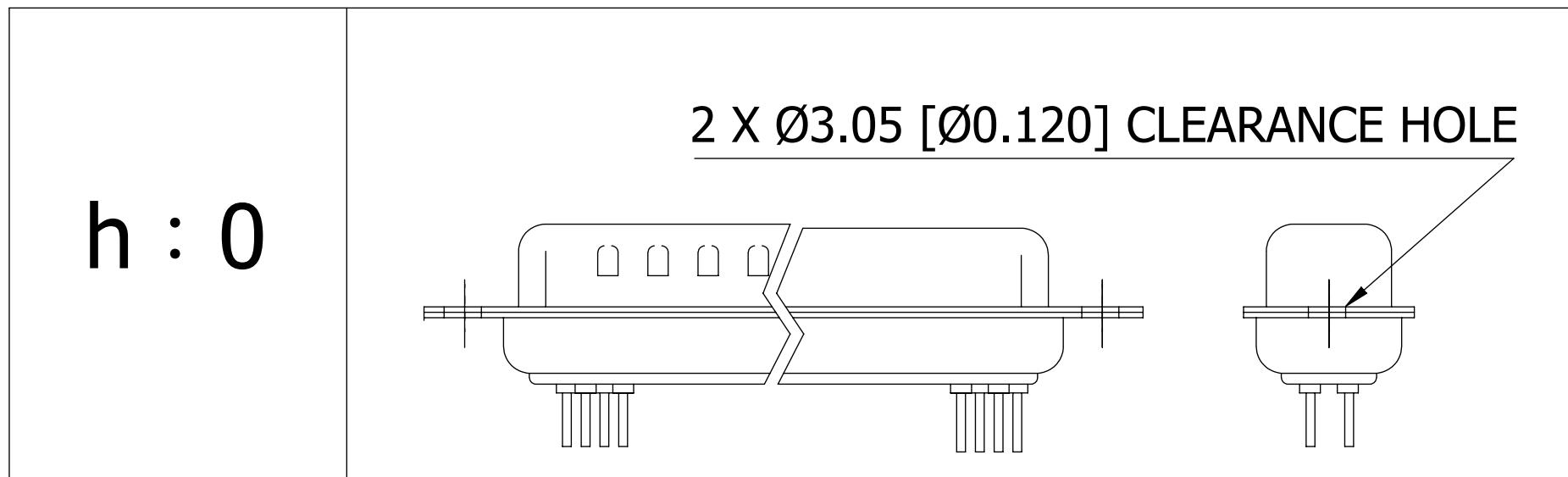
**MATERIAL**  
 INSULATOR : GLASS-FILLED THERMOPLASTIC PBT, UL94V-0  
 CONTACT: BRASS  
 SHELL : SPCC, .000100" TIN OVER .000050" MIN. COPPER (STANDARD, SEE PAGE 3)  
 CLINCH NUT : BRASS, NICKEL PLATED  
 BOARDLOCK : BRASS, TIN PLATED  
 SCREWLOCK : STEEL, NICKEL PLATED  
 OPERATING TEMPERATURE : -55°C TO +105°C

**ELECTRICAL**  
 CONTACT RESISTANCE : 20 MILLIOHMS MAX AT 1 AMP DC  
 INSULATION RESISTANCE : 1000 MAGOHMS AT 500 VDC  
 DIELECTRIC WITHSTANDING VOLTAGE : 1000 VAC/RMS 60Hz FOR 1 MINUTE  
 CURRENT RATING : 3 AMPS  
 VOLATGE RATING : 250 VAC/RMS 60Hz

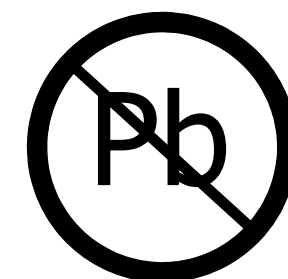


UNLESS OTHERWISE SPECIFIED: DIMENSIONS ARE IN MM [INCHES]	DRAWN	DATE	NAME	
		07/01/2011	LH	
TOLERANCES: ANGULAR: ± 3° DECIMALS X.= ± 0.38 [.015] X.= ± 0.25 [.010] .XX= ± 0.13 [.005]	THE INFORMATION HEREIN CONTAINS PROPRIETARY INFORMATION OF SULLINS ELECTRONICS AND IS NOT TO BE REPRODUCED, USED OR DISCLOSED TO OTHERS FOR ANY PURPOSE EXCEPT AS SPECIFICALLY AUTHORIZED IN WRITING BY AN OFFICER OF SULLINS ELECTRONICS.			TITLE
				101 SERIES D-SUB DIP STRAIGHT TYPE
PART NUMBER				SDS101-PR _ _ _ _ N _ _
SIZE	CAGE CODE	DWG. NO.	REV	
C	54453	11746	B	
SCALE: 1:15			SHEET 1 OF 3	

# h. POSITION OF CLINCH NUT



**CONSULT SALES OR  
FACTORY FOR OTHER  
MOUNTING STYLE OPTIONS**



RoHS COMPLIANT

UNLESS OTHERWISE SPECIFIED: DIMENSIONS ARE IN MM [INCHES]		DRAWN	DATE	NAME	
			07/01/2011	LH	
TOLERANCES: ANGULAR: ± 3° DECIMALS X.= ± 0.38 [.015] X.= ± 0.25 [.010] .XX= ± 0.13 [.005]					THE INFORMATION HEREIN CONTAINS PROPRIETARY INFORMATION OF SULLINS ELECTRONICS AND IS NOT TO BE REPRODUCED, USED OR DISCLOSED TO OTHERS FOR ANY PURPOSE EXCEPT AS SPECIFICALLY AUTHORIZED IN WRITING BY AN OFFICER OF SULLINS ELECTRONICS.
					<b>TITLE</b> 101 SERIES D-SUB DIP STRAIGHT TYPE
					<b>PART NUMBER</b> SDS101-PR _ _ _ _ _ N _ _
SIZE	CAGE CODE	DWG. NO.		REV	
C	54453	11746		B	
SCALE: 1:8					SHEET 2 OF 3

