



Chipsmall Limited consists of a professional team with an average of over 10 year of expertise in the distribution of electronic components. Based in Hongkong, we have already established firm and mutual-benefit business relationships with customers from,Europe,America and south Asia,supplying obsolete and hard-to-find components to meet their specific needs.

With the principle of “Quality Parts,Customers Priority,Honest Operation,and Considerate Service”,our business mainly focus on the distribution of electronic components. Line cards we deal with include Microchip,ALPS,ROHM,Xilinx,Pulse,ON,Everlight and Freescale. Main products comprise IC,Modules,Potentiometer,IC Socket,Relay,Connector.Our parts cover such applications as commercial,industrial, and automotives areas.

We are looking forward to setting up business relationship with you and hope to provide you with the best service and solution. Let us make a better world for our industry!



Contact us

Tel: +86-755-8981 8866 Fax: +86-755-8427 6832

Email & Skype: info@chipsmall.com Web: www.chipsmall.com

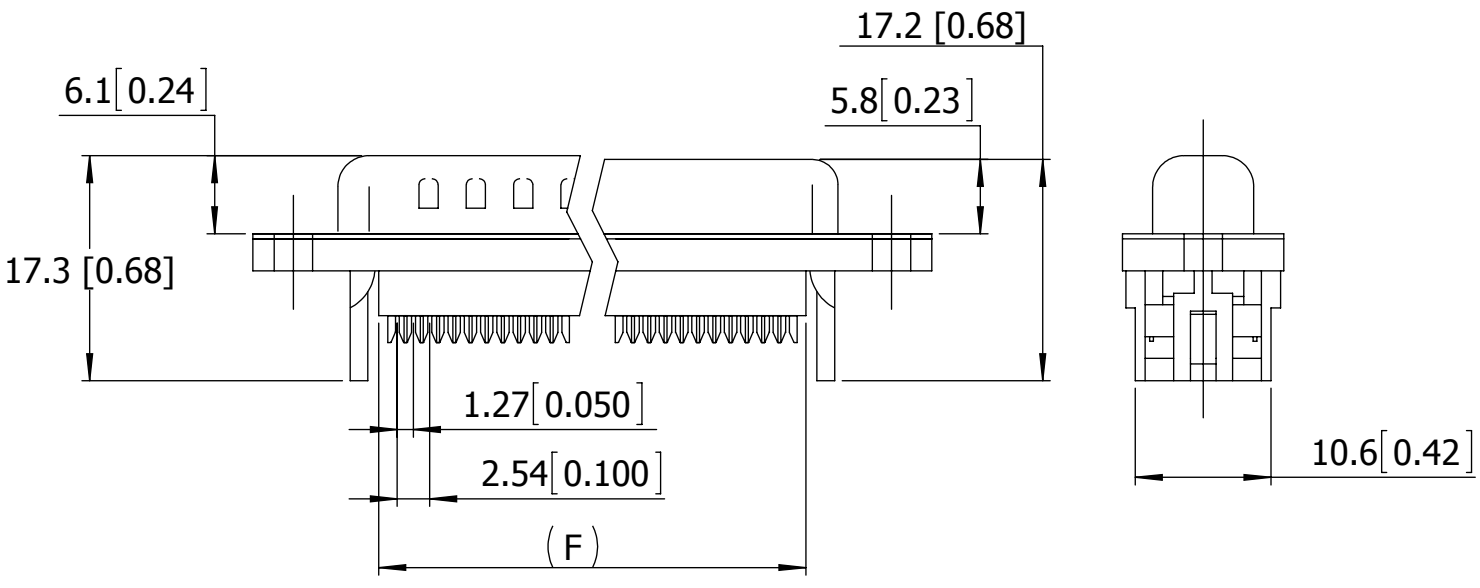
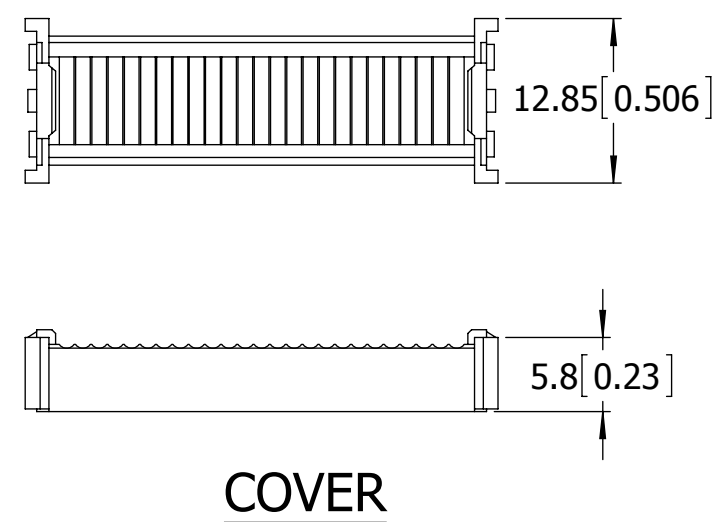
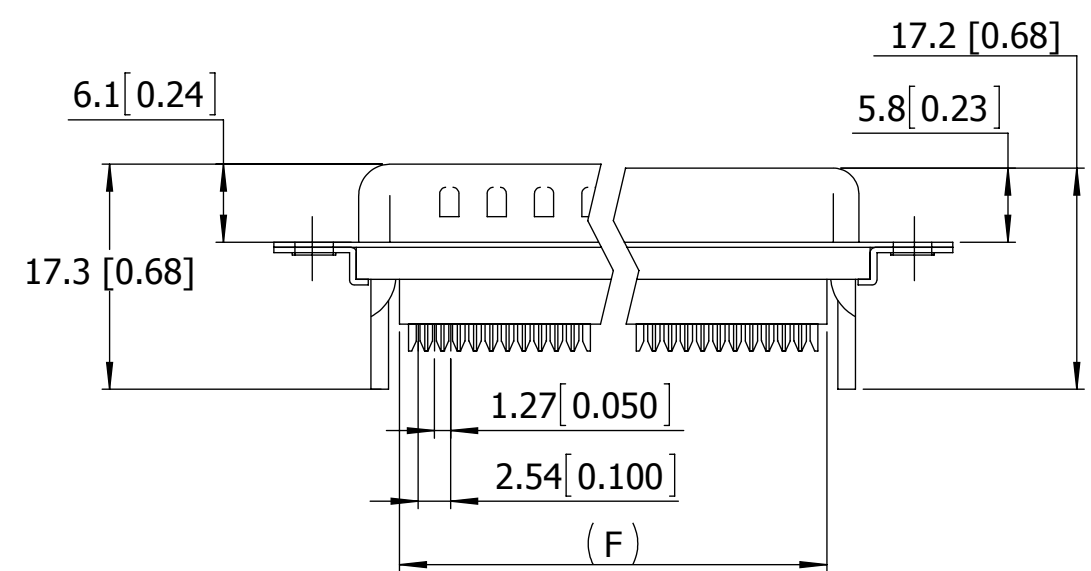
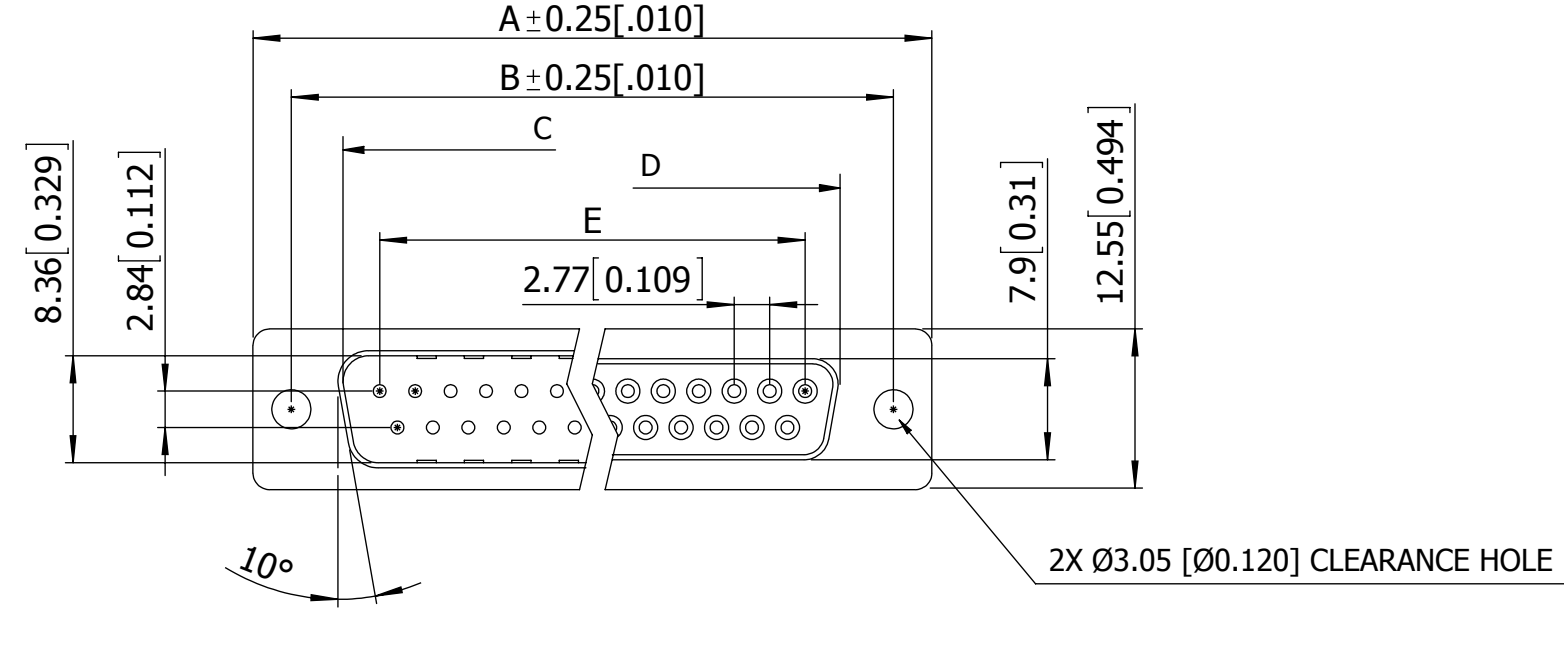
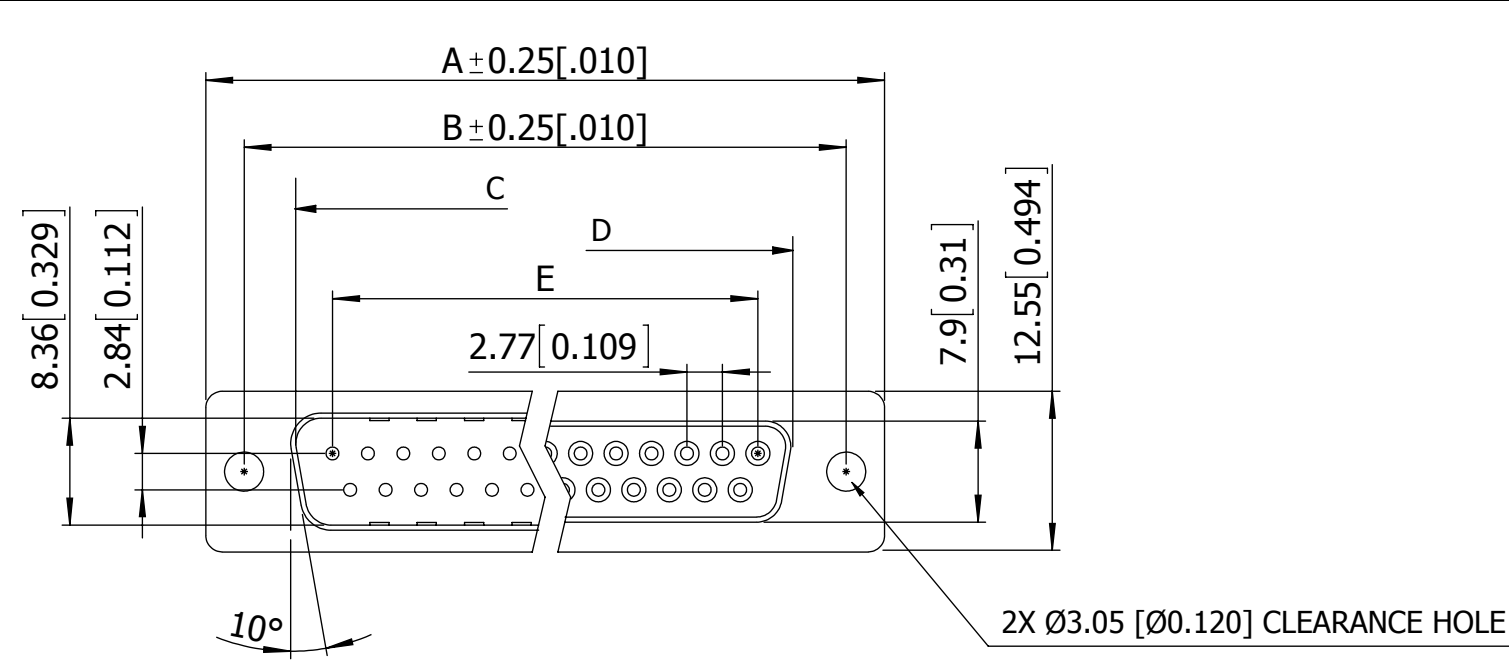
Address: A1208, Overseas Decoration Building, #122 Zhenhua RD., Futian, Shenzhen, China



DIMENSIONS

POSITIONS	A		B		C		D		E		F	
	MM	INCH	MM	INCH	MM	INCH	MM	INCH	MM	INCH	MM	INCH
09	30.81	1.213	24.99	0.984	16.92	0.666	16.33	0.643	11.08	0.436	13.10	0.516
15	39.20	1.543	33.30	1.311	25.25	0.994	24.70	0.972	19.39	0.763	20.70	0.815
25	53.05	2.088	47.04	1.852	38.96	1.534	38.40	1.512	33.24	1.309	33.68	1.326
37	69.40	2.732	63.50	2.500	55.42	2.182	54.80	2.158	49.86	1.963	50.30	1.980

REVISIONS				
REV.	ECO. NO	DESCRIPTION	DATE	BY
C	2637	ADD FLAT CABLE SPECIFICATION IN NOTE 3	07/19/2012	LH
D	2688	UPDATE INSULATOR SUPPORT HEIGHT MALE 17.3mm, FEMALE 17.2mm (WAS 17.58mm & 17.28mm)	10/12/2012	LH



**WITHOUT INSULATOR SUPPORT
(SEE P/N CODING ITEM k:2)**

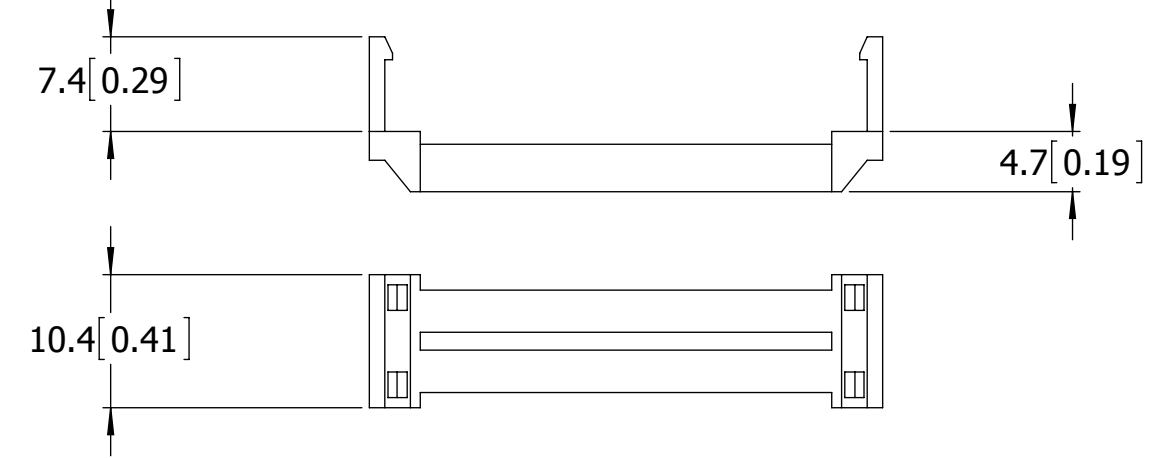
(PN EXAMPLE: SDS103-PRW2-M09-SN00-132)

**WITH INSULATOR SUPPORT
(SEE P/N CODING ITEM k:1)**

(PN EXAMPLE: SDS103-PRW2-M09-SN00-131)

NOTES:

- MATERIAL**
 INSULATOR : GLASS-FILLED THERMOPLASTIC PBT, UL94V-0
 CONTACT: BRASS
 SHELL : SPCC, .000100" TIN OVER .000050" MIN. COPPER (STANDARD, SEE PAGE 3)
 CLINCH NUT : BRASS, NICKEL PLATED
 SCREWLOCK : STEEL, NICKEL PLATED
 OPERATING TEMPERATURE : -55 °C TO +105 °C
- ELECTRICAL**
 CONTACT RESISTANCE : 20 MILLIOHMS MAX AT 1 AMP DC
 INSULATION RESISTANCE : 1000 MAGOHMS AT 500 VDC
 DIELECTRIC WITHSTANDING VOLTAGE : 1000 VAC/RMS 60Hz FOR 1 MINUTE
 CURRENT RATING : 3 AMPS
 VOLATGE RATING : 250 VAC/RMS 60Hz
- FOR 1.27mm [.050"] PITCH FLAT RIBBON CABLE, 28 AWG.



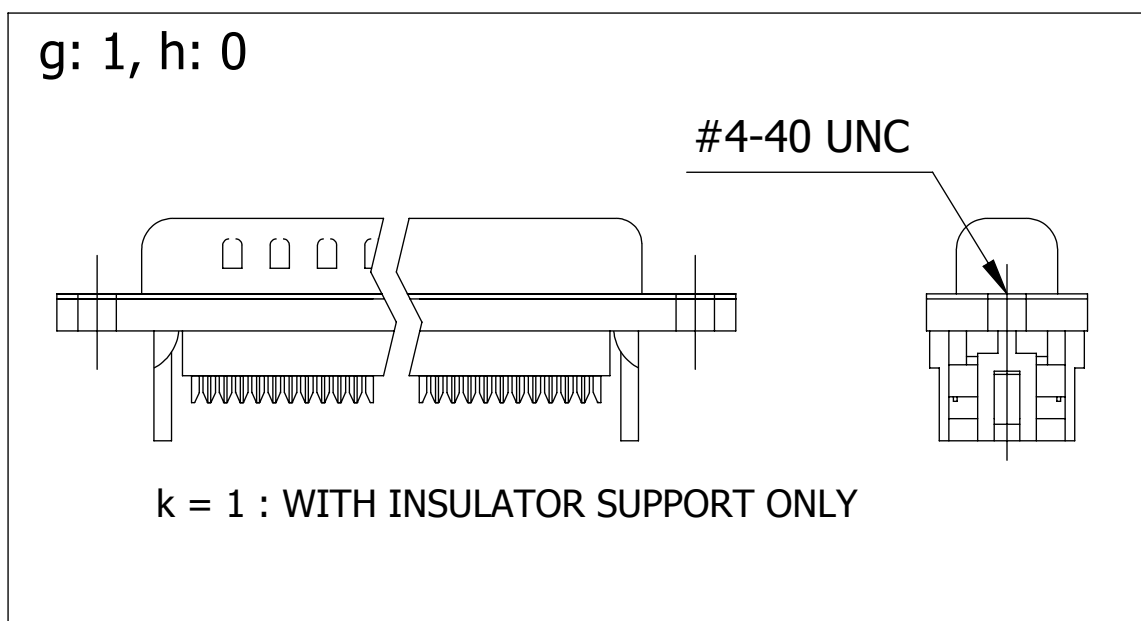
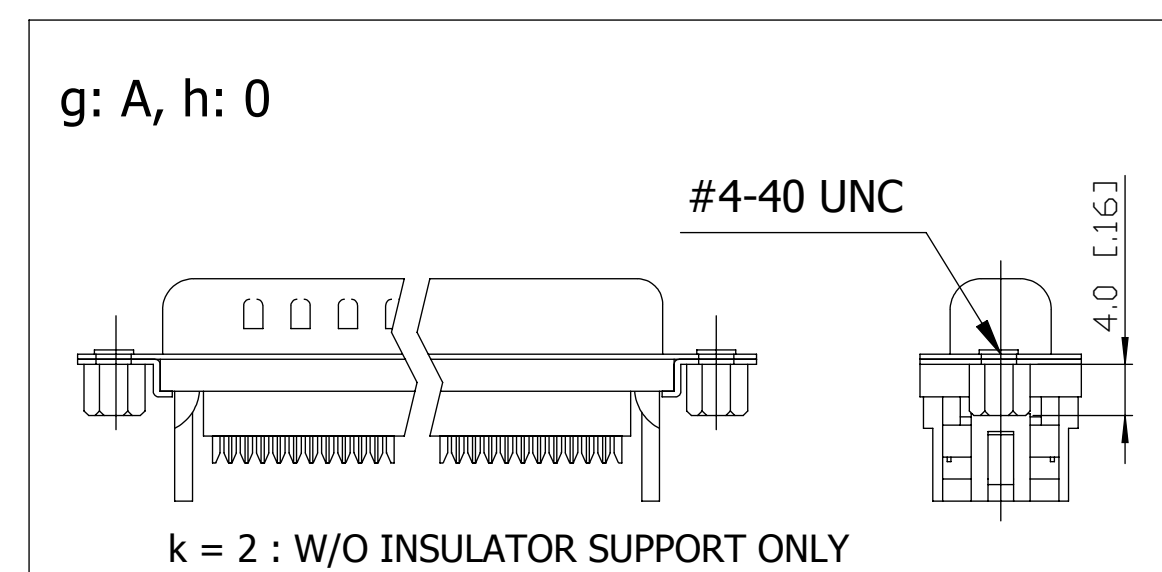
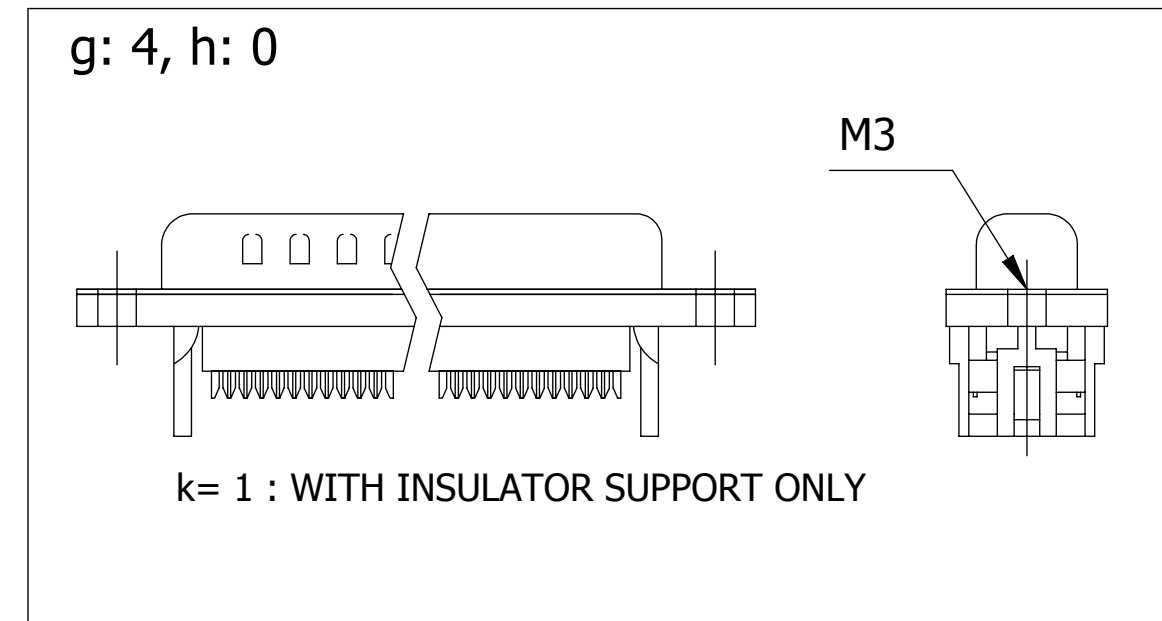
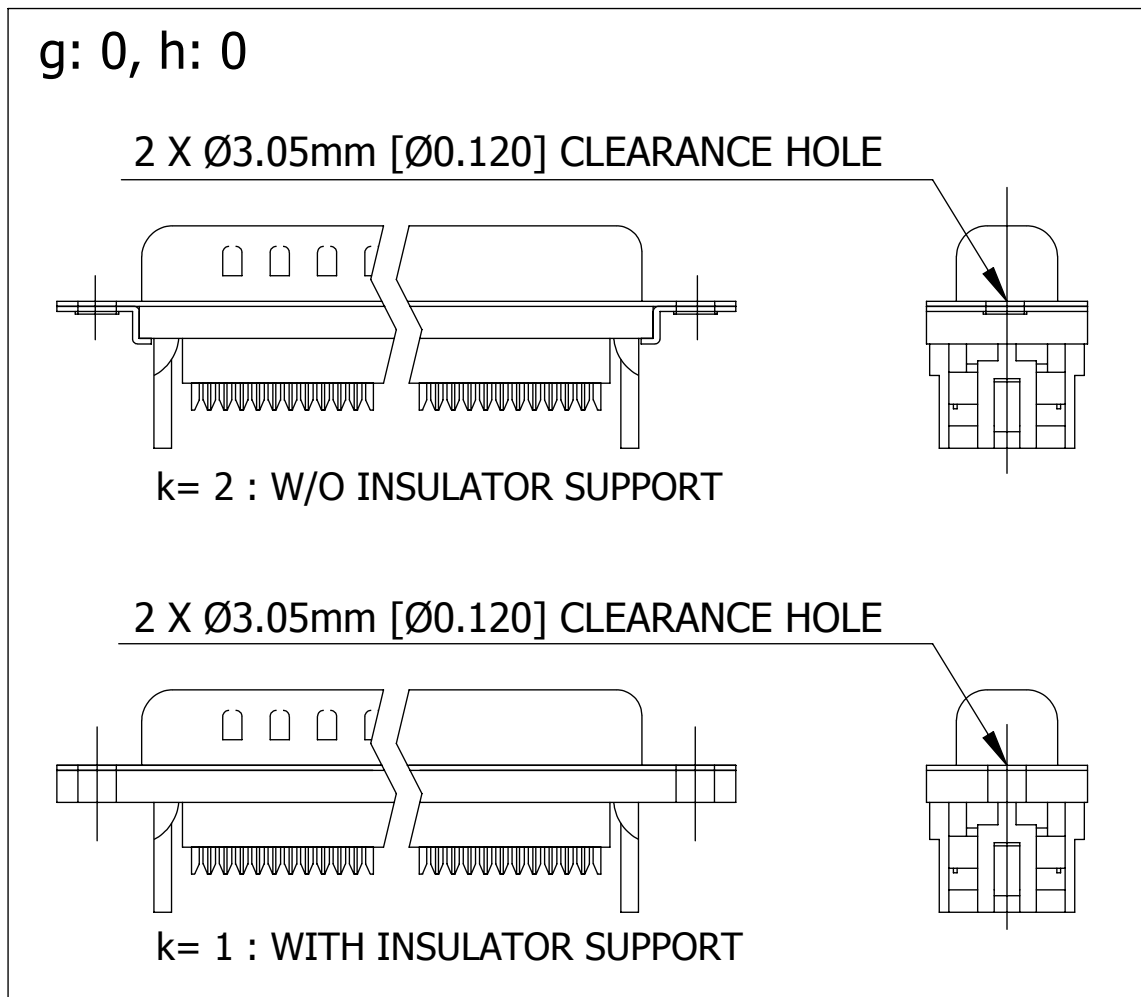
**STRAIN RELIEF
OPTIONAL SEE P/N CODING, ITEM j**



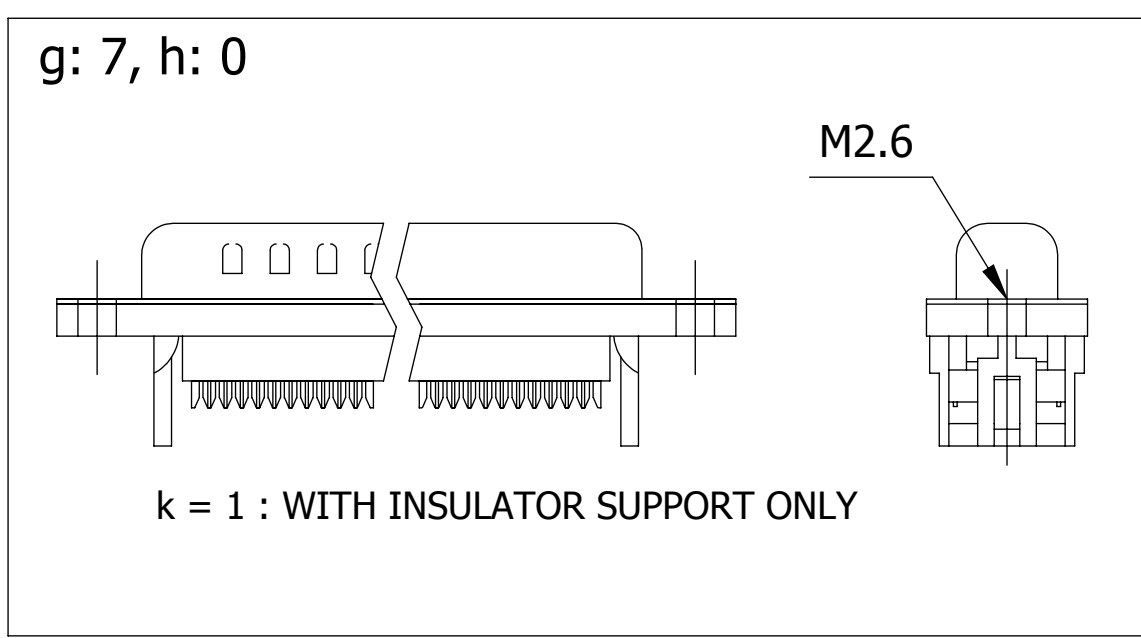
RoHS COMPLIANT

UNLESS OTHERWISE SPECIFIED: DIMENSIONS ARE IN MM [INCHES]	DRAWN	DATE	NAME	
		07/01/2011	LH	
TOLERANCES: ANGULAR: ± 3° DECIMALS X.= ± 0.38 [.015] X.= ± 0.25 [.010] .XX= ± 0.13 [.005]	THE INFORMATION HEREIN CONTAINS PROPRIETARY INFORMATION OF SULLINS ELECTRONICS AND IS NOT TO BE REPRODUCED, USED OR DISCLOSED TO OTHERS FOR ANY PURPOSE EXCEPT AS SPECIFICALLY AUTHORIZED IN WRITING BY AN OFFICER OF SULLINS ELECTRONICS.			TITLE
				103 SERIES D-SUB IDC TYPE
PART NUMBER				REV
SDS103-PR - - -SN_0-				D
SIZE	CAGE CODE	DWG. NO.		
C	54453	11799		
SCALE: 1:15			SHEET 1 OF 3	

**g. FLANGE MOUNTING OPTION:
h. POSITION OF CLINCH NUT:**



**CONSULT SALES OR
FACTORY FOR OTHER
MOUNTING STYLE OPTIONS**



UNLESS OTHERWISE SPECIFIED: DIMENSIONS ARE IN MM [INCHES]		DRAWN	DATE	NAME	
TOLERANCES: ANGULAR: ± 3° DECIMALS X.= ± 0.38 [.015] X.= ± 0.25 [.010] .XX= ± 0.13 [.005]			07/01/2011	LH	
<small>THE INFORMATION HEREIN CONTAINS PROPRIETARY INFORMATION OF SULLINS ELECTRONICS AND IS NOT TO BE REPRODUCED, USED OR DISCLOSED TO OTHERS FOR ANY PURPOSE EXCEPT AS SPECIFICALLY AUTHORIZED IN WRITING BY AN OFFICER OF SULLINS ELECTRONICS.</small>					TITLE 103 SERIES D-SUB IDC TYPE
PART NUMBER SDS103-PR - -SN_0-					REV D
SIZE	CAGE CODE	DWG. NO.		SCALE: 1:8	11799 SHEET 2 OF 3
C	54453				

SDS103-PR - - - -SN 0 - - - -

a b
c d
e f
g h
i j
k

a. CONTACT PLATING

(ALL PLATINGS HAVE .000050" NICKEL UNDERPLATE)
 W = GOLD FLASH ON CONTACT SURFACE,
 .000100" PURE TIN ON TERMINATION.
 B = .000010" GOLD ON CONTACT SURFACE,
 .000100" PURE TIN ON TERMINATION.
 U = .000015" GOLD ON CONTACT SURFACE,
 .000100" PURE TIN ON TERMINATION.
 C = .000030" GOLD ON CONTACT SURFACE,
 .000100" PURE TIN ON TERMINATION.

b. SHELL PLATING

1 = NICKEL
 2 = TIN (STANDARD)

c. CONTACT TYPE

M = MALE
 F = FEMALE

d. NO. OF CONTACTS

09 = 09 POSITIONS
 15 = 15 POSITIONS
 25 = 25 POSITIONS
 37 = 37 POSITIONS

e. PIN TYPE

S = STAMPED PIN

f. FERRITE

N = WITHOUT FERRITE

g. FLANGE MOUNTING OPTION

0 = Ø3.05mm [Ø0.120] CLEARANCE HOLE
 1 = #4-40 FEMALE THREAD
 4 = M3 FEMALE THREAD
 7 = M2.6 FEMALE THREAD
 A = #4-40 FEMALE THREAD, 4.0mm[0.16] REAR CLINCH NUT

h. POSITION OF CLINCH NUT

0 = NOT APPLICABLE

i. INSULATOR COLOR

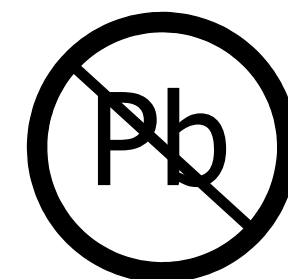
1 = BLACK (STANDARD)
 2 = BLUE

j. STRAIN RELIEF TYPE

1 = PLASTIC STRAIN RELIEF
 2 = METAL SHELL STRAIN RELIEF
 3 = WITHOUT STRAIN RELIEF

K. INSULATOR SUPPORT TYPE (SEE PAGE 2 FOR AVAILABLE MOUNTING OPTION)

1 = WITH INSULATOR SUPPORT
 2 = W/O INSULATOR SUPPORT



RoHS COMPLIANT

UNLESS OTHERWISE SPECIFIED: DIMENSIONS ARE IN MM [INCHES]		DRAWN	DATE	NAME		
		07/01/2011	LH	TITLE 103 SERIES D-SUB IDC TYPE		
TOLERANCES: ANGULAR: ± 3°		THE INFORMATION HEREIN CONTAINS PROPRIETARY INFORMATION OF SULLINS ELECTRONICS AND IS NOT TO BE REPRODUCED, USED OR DISCLOSED TO OTHERS FOR ANY PURPOSE EXCEPT AS SPECIFICALLY AUTHORIZED IN WRITING BY AN OFFICER OF SULLINS ELECTRONICS.				PART NUMBER SDS103-PR - - - -SN 0 - - - -
DECIMALS X.= ± 0.38 [.015] X.= ± 0.25 [.010] .XX= ± 0.13 [.005]		SIZE	CAGE CODE	DWG. NO.	REV	
		C	54453	11799	D	
		SCALE: 1:8			SHEET 3 OF 3	