



Chipsmall Limited consists of a professional team with an average of over 10 year of expertise in the distribution of electronic components. Based in Hongkong, we have already established firm and mutual-benefit business relationships with customers from,Europe,America and south Asia,supplying obsolete and hard-to-find components to meet their specific needs.

With the principle of “Quality Parts,Customers Priority,Honest Operation,and Considerate Service”,our business mainly focus on the distribution of electronic components. Line cards we deal with include Microchip,ALPS,ROHM,Xilinx,Pulse,ON,Everlight and Freescale. Main products comprise IC,Modules,Potentiometer,IC Socket,Relay,Connector.Our parts cover such applications as commercial,industrial, and automotives areas.

We are looking forward to setting up business relationship with you and hope to provide you with the best service and solution. Let us make a better world for our industry!



Contact us

Tel: +86-755-8981 8866 Fax: +86-755-8427 6832

Email & Skype: info@chipsmall.com Web: www.chipsmall.com

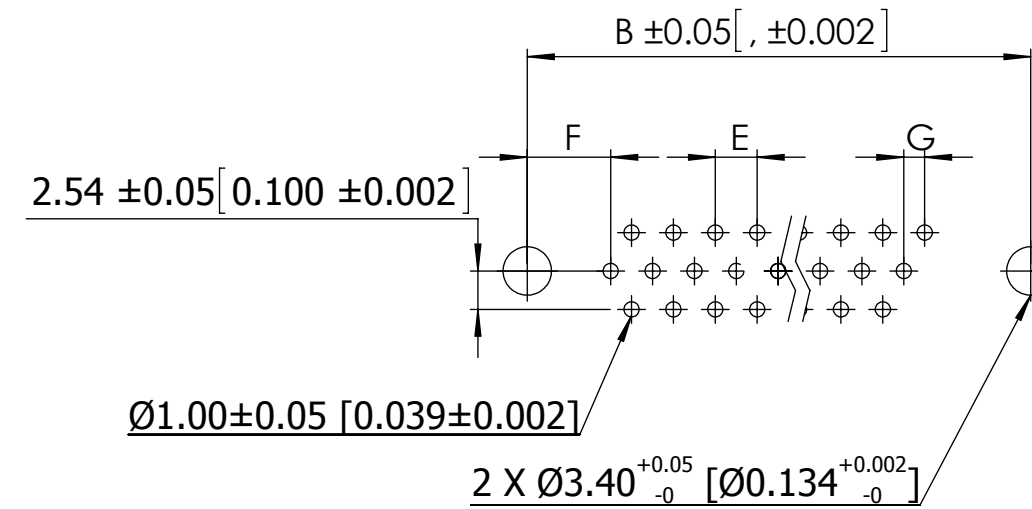
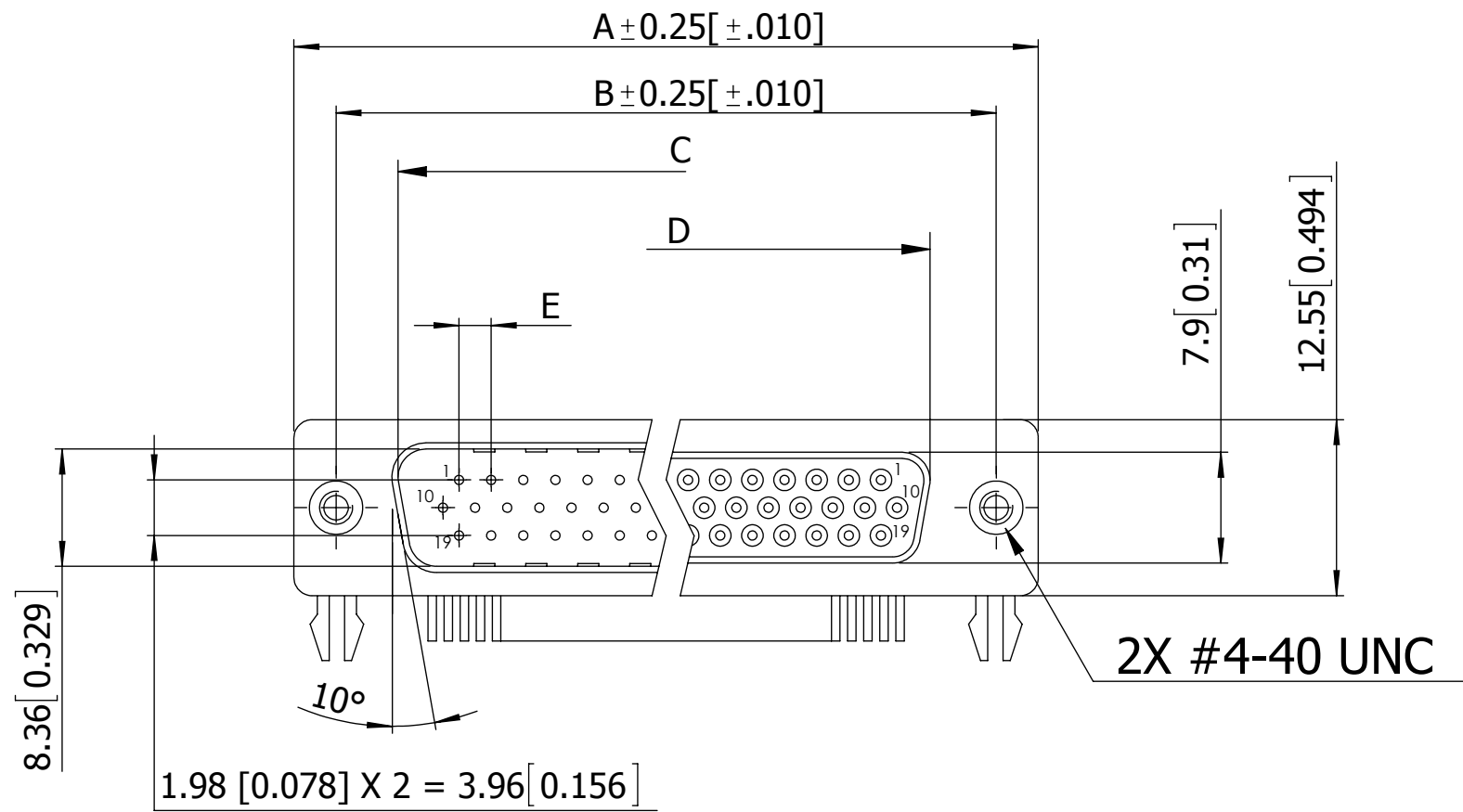
Address: A1208, Overseas Decoration Building, #122 Zhenhua RD., Futian, Shenzhen, China



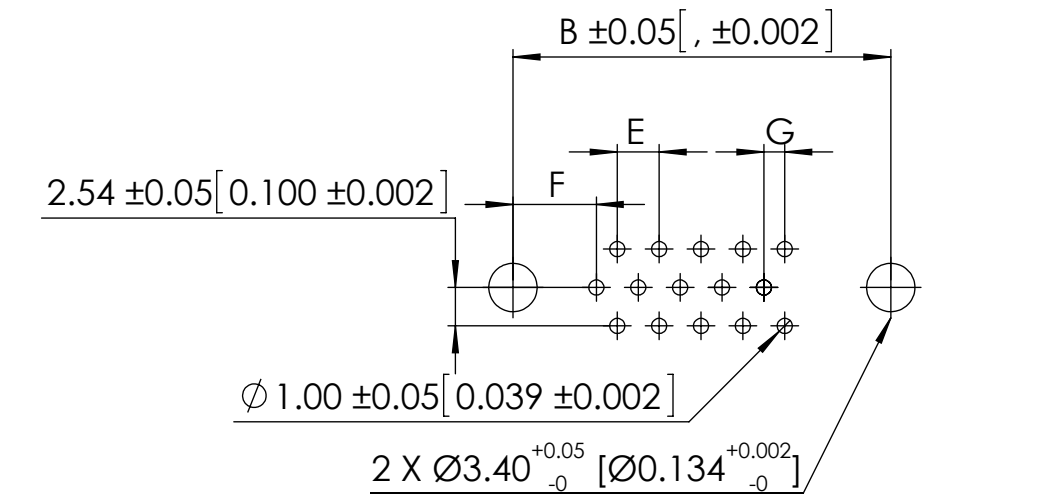
DIMENSIONS

POSITIONS	A		B		C		D		E		F		G	
	MM	INCH	MM	INCH	MM	INCH	MM	INCH	MM	INCH	MM	INCH	MM	INCH
15	30.81	1.213	24.99	0.984	16.92	0.666	16.33	0.643	2.29	0.090	7.04	0.277	1.145	0.0451
26	39.20	1.543	33.30	1.311	25.25	0.994	24.70	0.972	2.29	0.090	6.88	0.271	1.145	0.0451
44	53.05	2.088	47.04	1.852	38.96	1.534	38.40	1.512	2.29	0.090	6.88	0.271	1.145	0.0451
62	69.40	2.732	63.50	2.500	55.42	2.182	54.80	2.158	2.41	0.095	7.00	0.276	1.205	0.0474

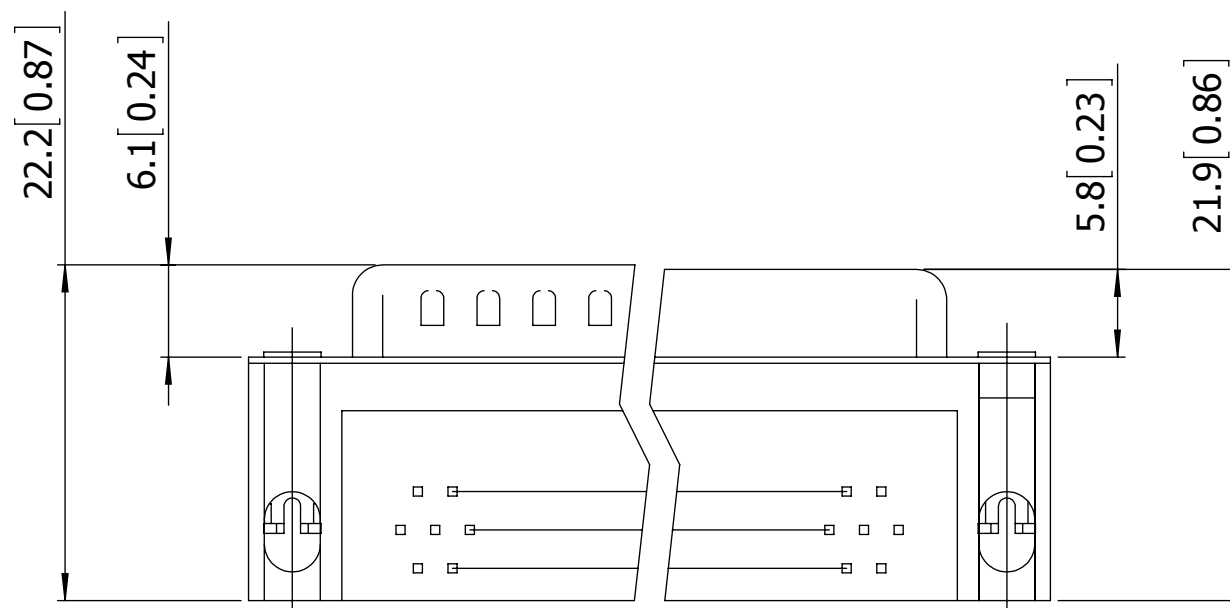
REVISIONS				
REV.	ECO. NO	DESCRIPTION	DATE	BY
C	2616	REMOVE 'B' & 'N' PLATING	06/14/2012	LH
D	2772	ADD 15 POSITIONS PCB LAYOUT AND UPDATE PCB LAYOUT BOARD-LOCK HOLE 3.40mm(WAS 3.05mm) & UPDATE DIMENSION TABLE "F" 26 & 44 POSITIONS 6.88mm(WAS 7.04mm)	07/12/2013	LH



RECOMMENDED PCB LAYOUT
26,44,62 POSITIONS MALE

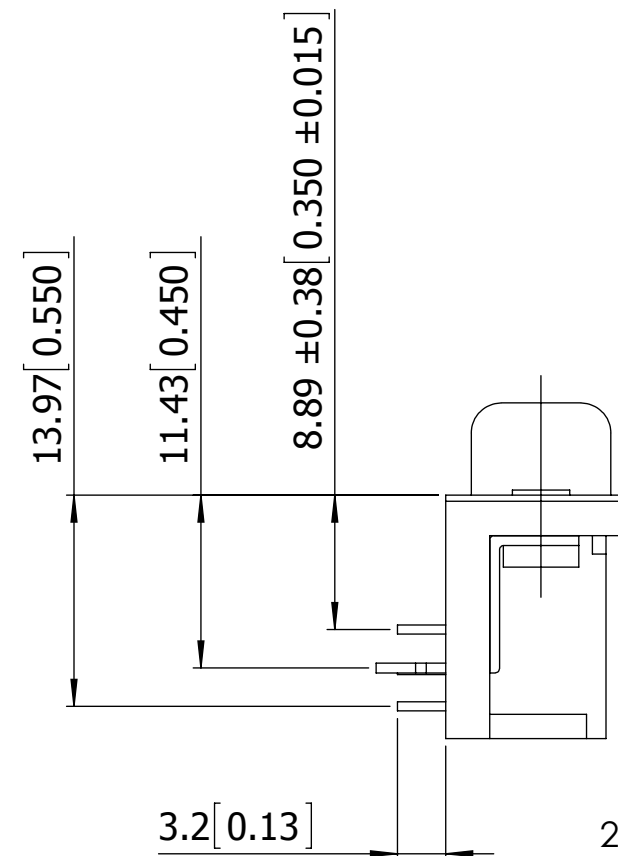


RECOMMENDED PCB LAYOUT
15 POSITIONS MALE



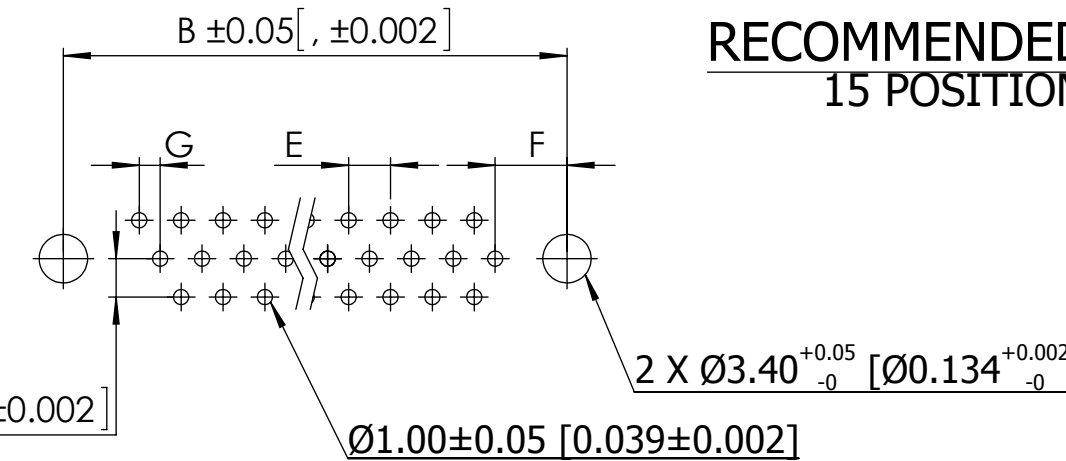
15,26,44,62 POSITIONS

(PN EXAMPLE: SDS108-PRW2-M15-SN13-1)



2.54 ± 0.05 [0.100 ± 0.002]

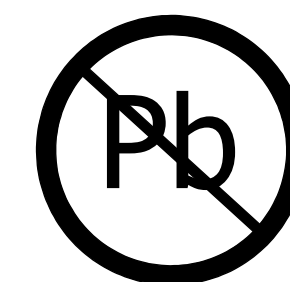
RECOMMENDED PCB LAYOUT
26,44,62 POSITIONS FEMALE



RECOMMENDED PCB LAYOUT
15 POSITIONS FEMALE

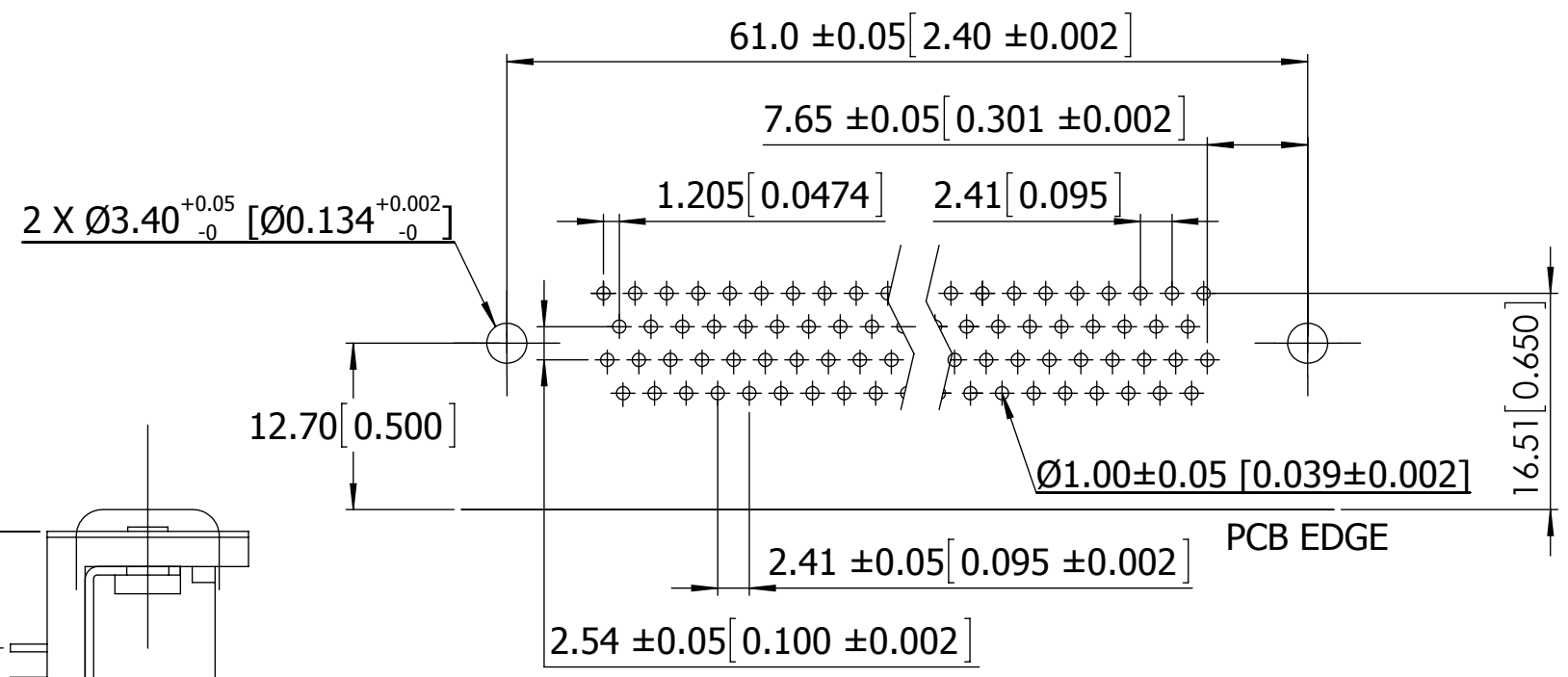
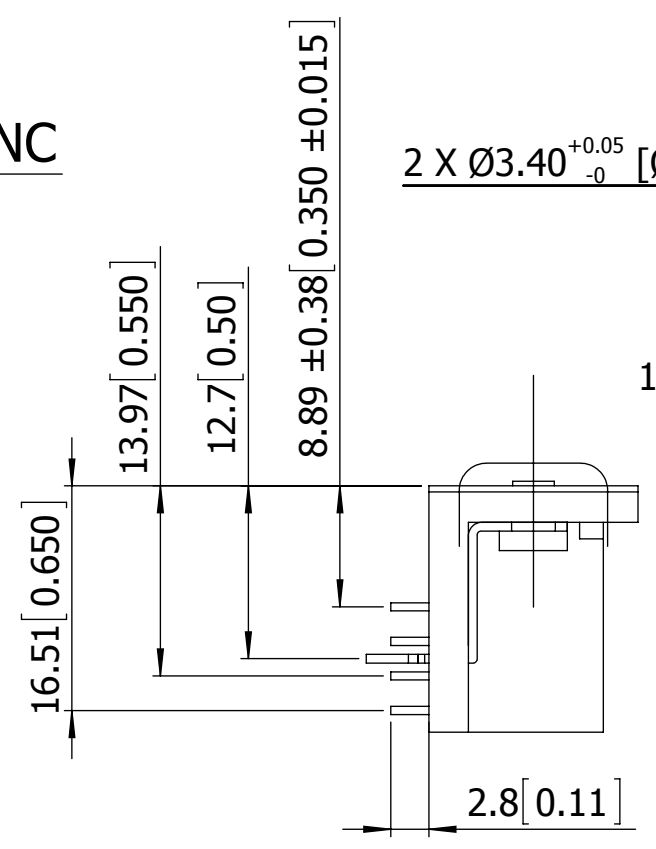
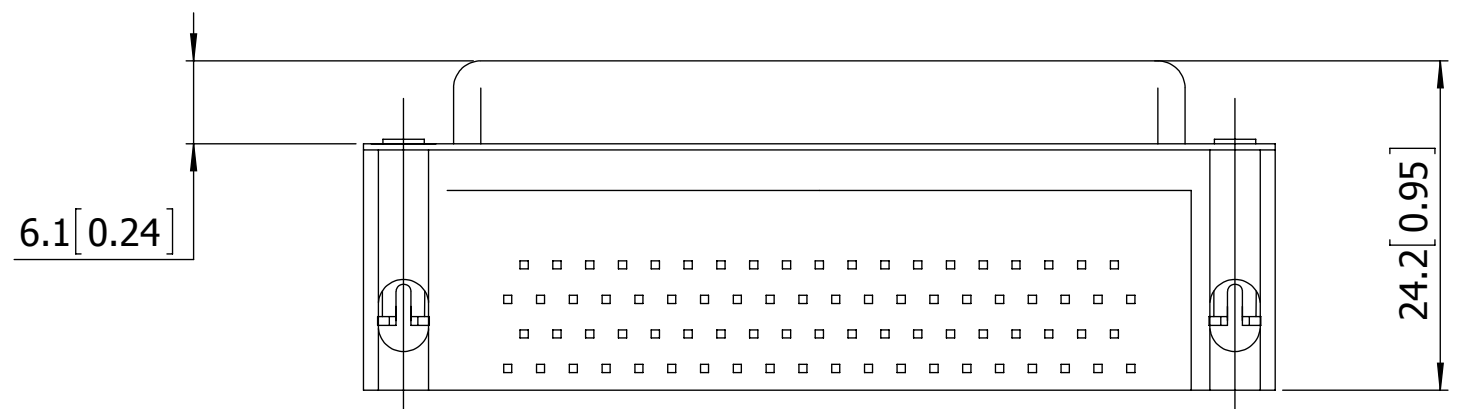
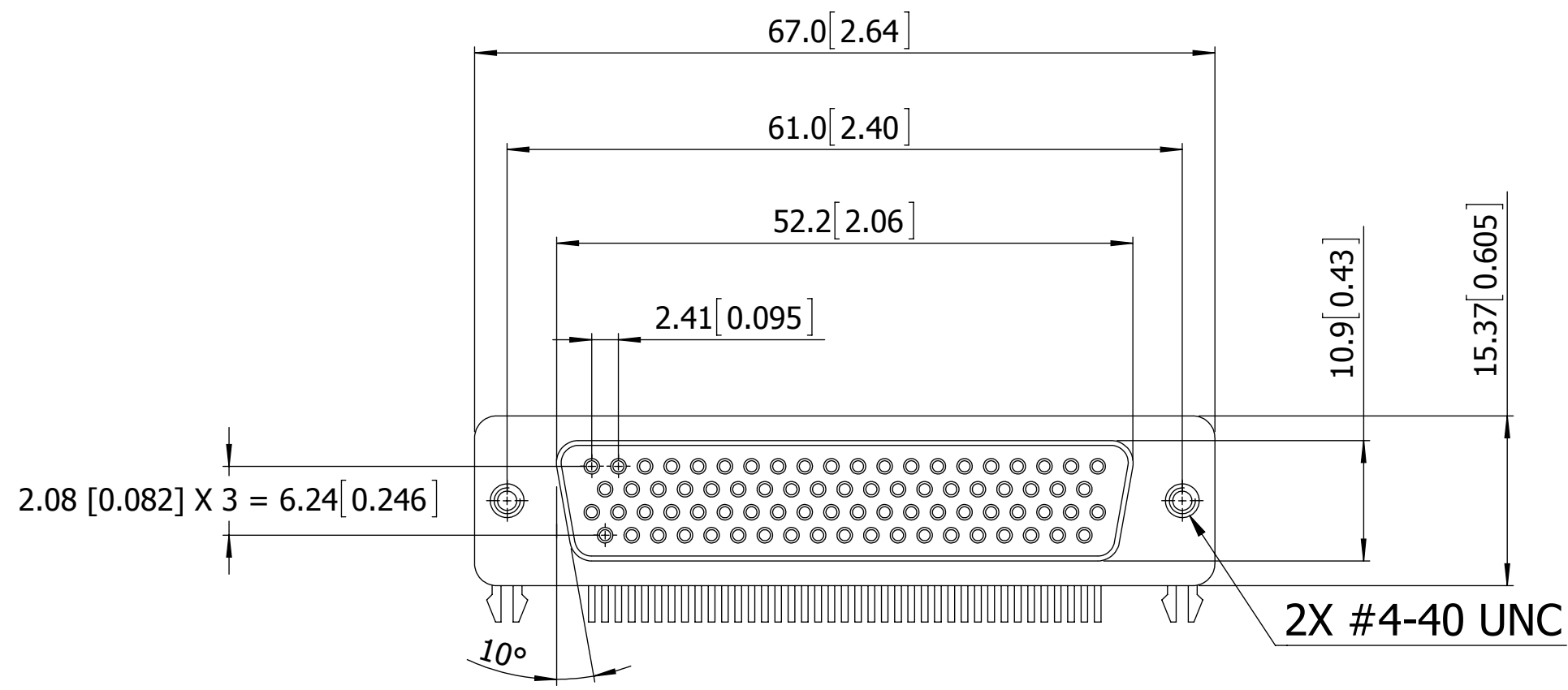
- NOTES:**
MATERIAL
 INSULATOR : GLASS-FILLED THERMOPLASTIC PBT, UL94V-0
 CONTACT: BRASS
 SHELL : SPCC, .000100" TIN OVER .000050" MIN. COPPER (STANDARD, SEE PAGE 4)
 CLINCH NUT : BRASS, NICKEL PLATED
 BOARDLOCK : BRASS, TIN PLATED
 SCREWLOCK : STEEL, NICKEL PLATED
 OPERATING TEMPERATURE : -55 °C TO +105 °C

- ELECTRICAL**
 CONTACT RESISTANCE : 20 MILLIOHMS MAX AT 1 AMP DC
 INSULATION RESISTANCE : 1000 MAGOHMS AT 500 VDC
 DIELECTRIC WITHSTANDING VOLTAGE : 1000 VAC/RMS 60Hz FOR 1 MINUTE
 CURRENT RATING : 3 AMPS
 VOLATGE RATING : 250 VAC/RMS 60Hz



RoHS COMPLIANT

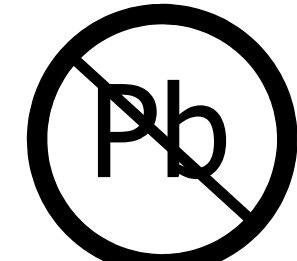
UNLESS OTHERWISE SPECIFIED: DIMENSIONS ARE IN MM [INCHES]	DRAWN	DATE	NAME	
		07/01/2011	LH	
TOLERANCES: ANGULAR: ± 3° DECIMALS X.= ± 0.38 [.015] X.= ± 0.25 [.010] .XX= ± 0.13 [.005]	THE INFORMATION HEREIN CONTAINS PROPRIETARY INFORMATION OF SULLINS ELECTRONICS AND IS NOT TO BE REPRODUCED, USED OR DISCLOSED TO OTHERS FOR ANY PURPOSE EXCEPT AS SPECIFICALLY AUTHORIZED IN WRITING BY AN OFFICER OF SULLINS ELECTRONICS.			TITLE
				108 SERIES D-SUB H.D. RIGHT ANGLE TYPE
PART NUMBER				SDS108-PR _ _ _ -SN _ _ -1
SIZE	CAGE CODE	DWG. NO.	REV	
C	54453	11779	D	
SCALE: 1:8				SHEET 1 OF 4



RECOMMENDED PCB LAYOUT
78 POSITIONS MALE / FEMALE

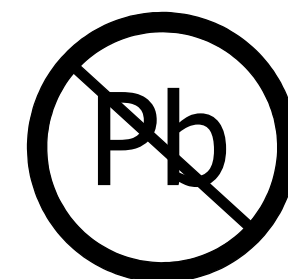
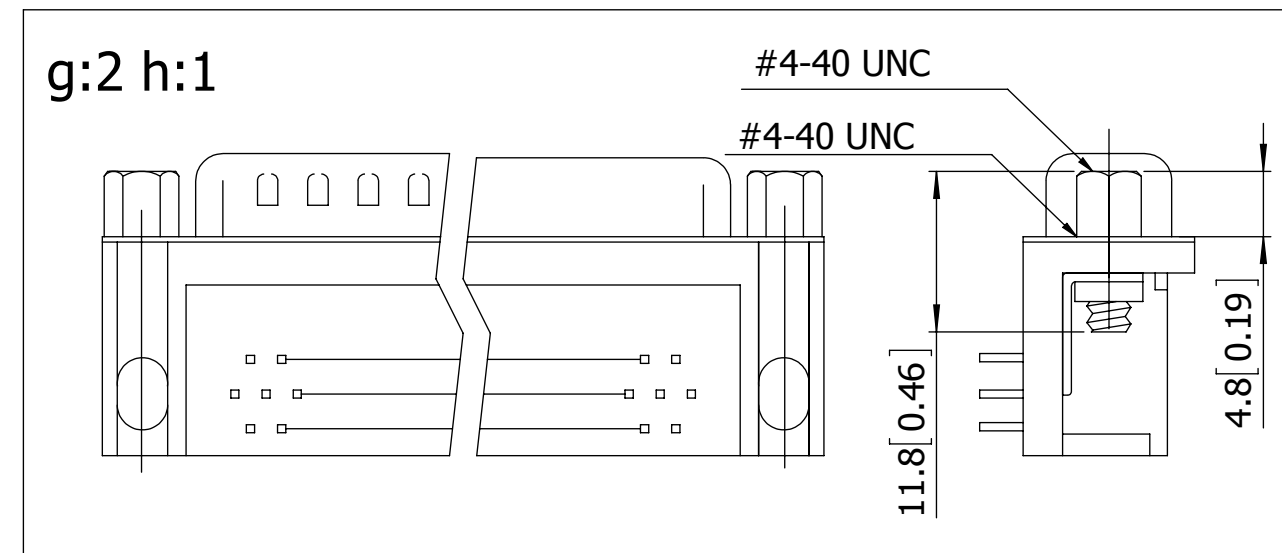
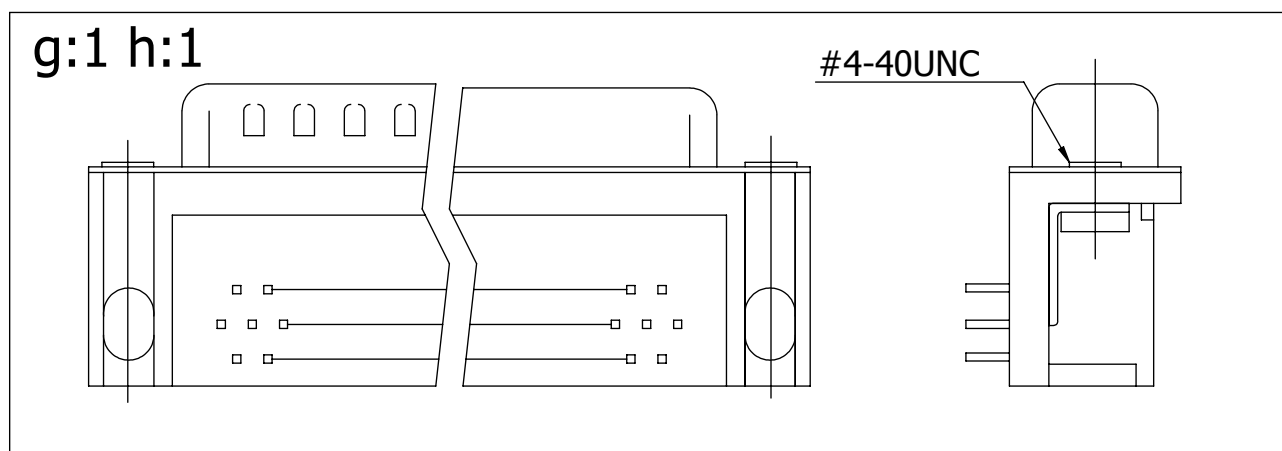
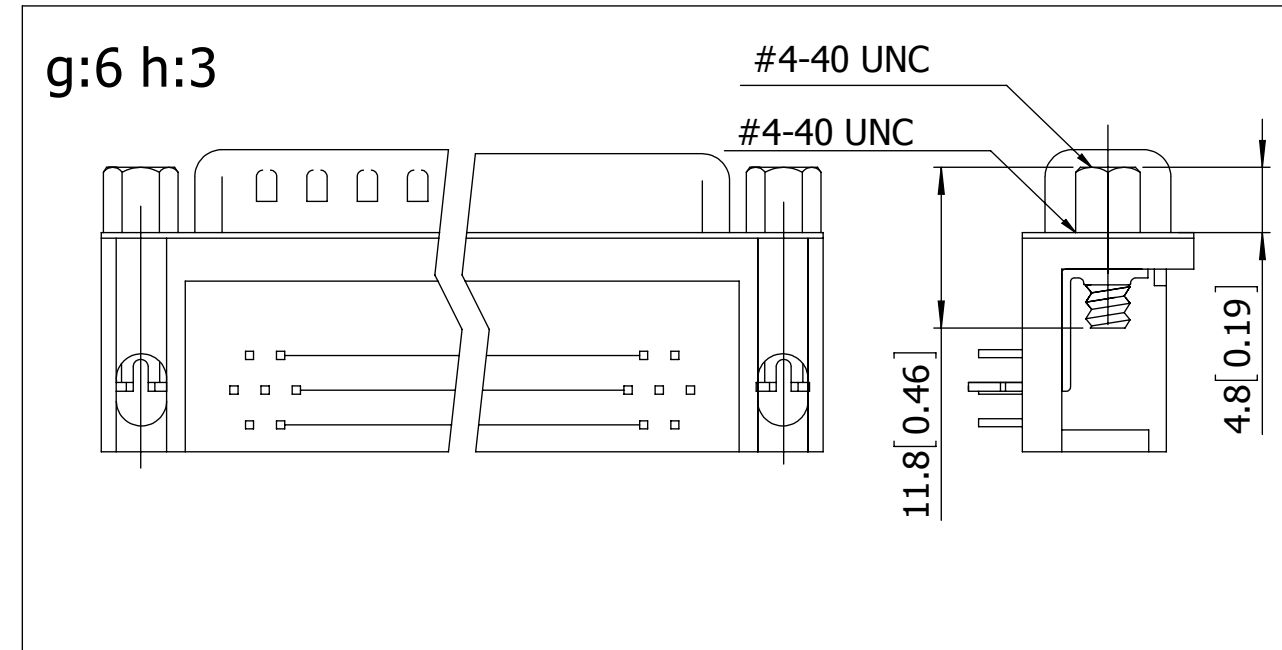
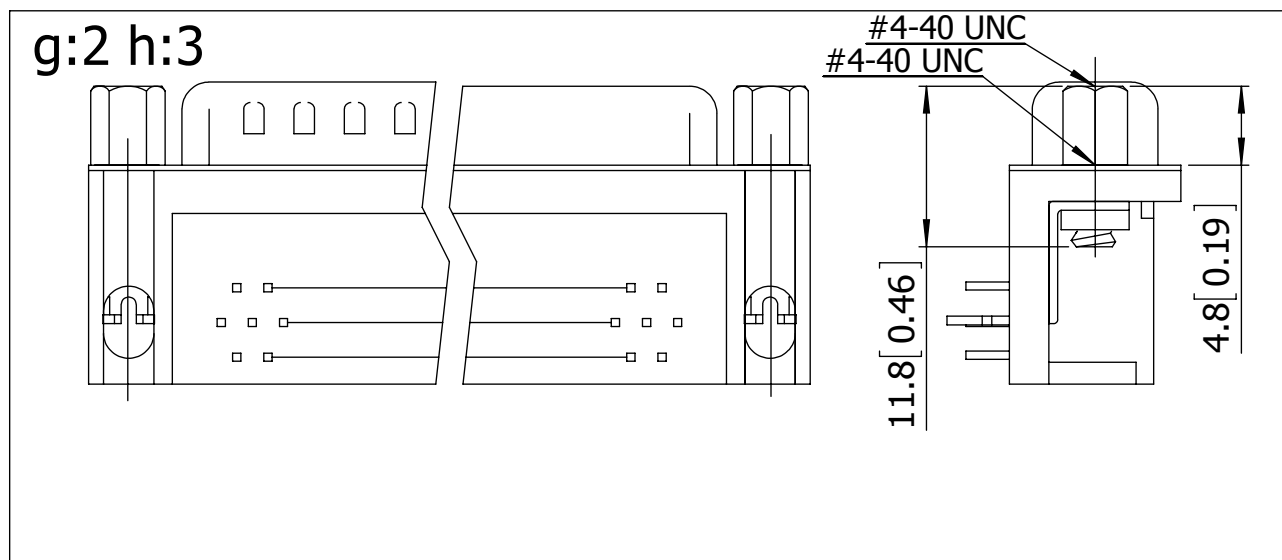
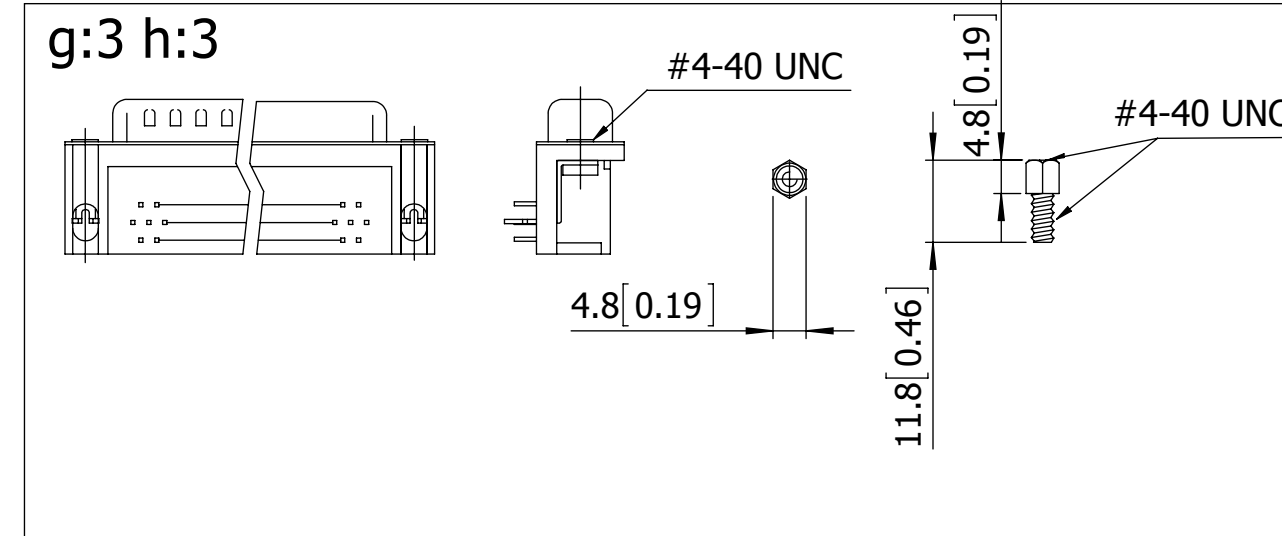
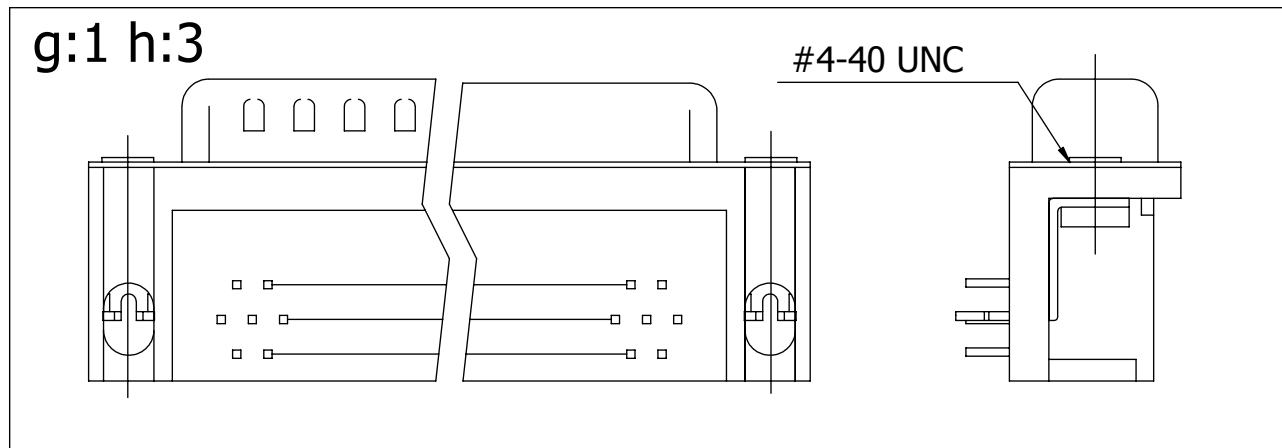
78 POSITIONS

(PN EXAMPLE: SDS108-PRW2-M78-SN13-1)



RoHS COMPLIANT

UNLESS OTHERWISE SPECIFIED: DIMENSIONS ARE IN MM [INCHES]		DRAWN	DATE	NAME	
TOLERANCES: ANGULAR: ± 3° DECIMALS X.= ± 0.38 [.015] X.= ± 0.25 [.010] .XX= ± 0.13 [.005]			07/01/2011	LH	
					SIZE C
					CAGE CODE 54453
					DWG. NO. 11779
					REV D
					SCALE: 1:8
					SHEET 2 OF 4



RoHS COMPLIANT

UNLESS OTHERWISE SPECIFIED:
DIMENSIONS ARE IN MM [INCHES]

TOLERANCES:

ANGULAR: $\pm 3^\circ$

DECIMALS

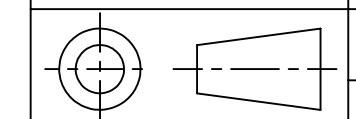
X.= ± 0.38 [015]

X.= ± 0.25 [010]

.XX= ± 0.13 [005]

DRAWN	DATE	NAME
	07/01/2011	LH

THE INFORMATION HEREIN CONTAINS PROPRIETARY INFORMATION OF SULLINS ELECTRONICS AND IS NOT TO BE REPRODUCED, USED OR DISCLOSED TO OTHERS FOR ANY PURPOSE EXCEPT AS SPECIFICALLY AUTHORIZED IN WRITING BY AN OFFICER OF SULLINS ELECTRONICS.



TITLE
108 SERIES D-SUB H.D. RIGHT ANGLE TYPE

PART NUMBER
SDS108-PR _ _ -SN _ _ -1

SIZE	CAGE CODE	DWG. NO.	REV
C	54453	11779	D

SCALE: 1:8 SHEET 3 OF 4

