



Chipsmall Limited consists of a professional team with an average of over 10 year of expertise in the distribution of electronic components. Based in Hongkong, we have already established firm and mutual-benefit business relationships with customers from,Europe,America and south Asia,supplying obsolete and hard-to-find components to meet their specific needs.

With the principle of “Quality Parts,Customers Priority,Honest Operation,and Considerate Service”,our business mainly focus on the distribution of electronic components. Line cards we deal with include Microchip,ALPS,ROHM,Xilinx,Pulse,ON,Everlight and Freescale. Main products comprise IC,Modules,Potentiometer,IC Socket,Relay,Connector.Our parts cover such applications as commercial,industrial, and automotives areas.

We are looking forward to setting up business relationship with you and hope to provide you with the best service and solution. Let us make a better world for our industry!



Contact us

Tel: +86-755-8981 8866 Fax: +86-755-8427 6832

Email & Skype: info@chipsmall.com Web: www.chipsmall.com

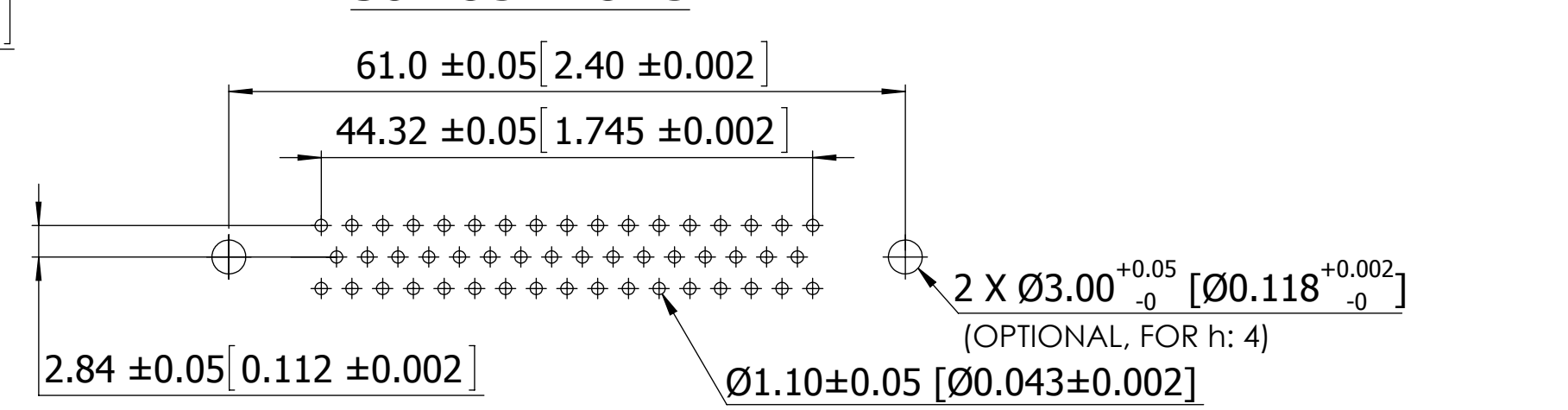
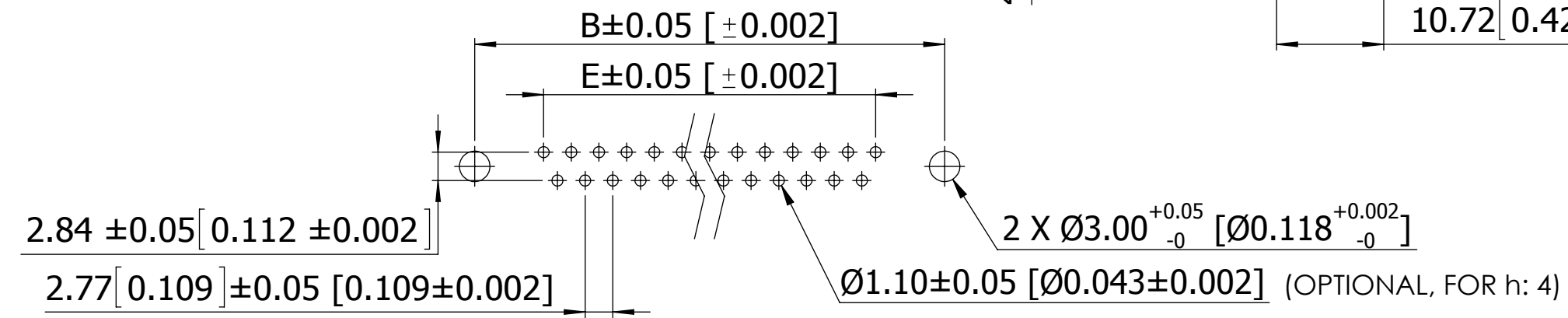
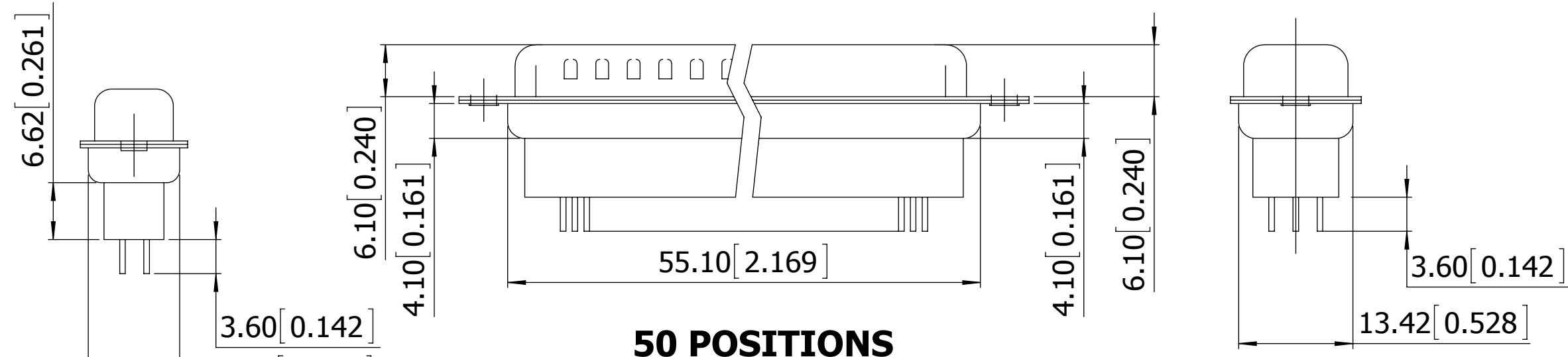
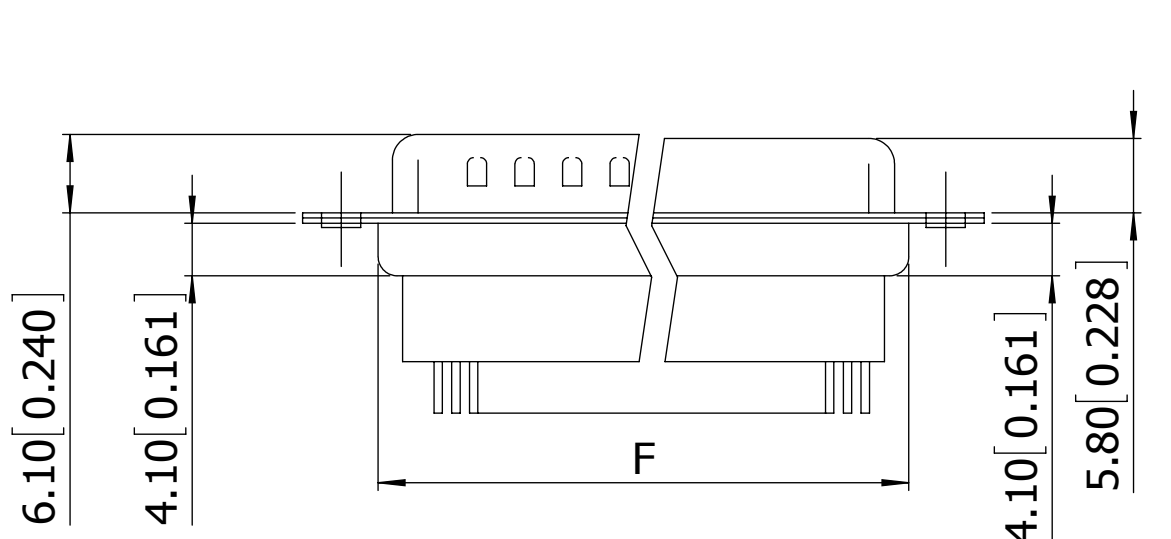
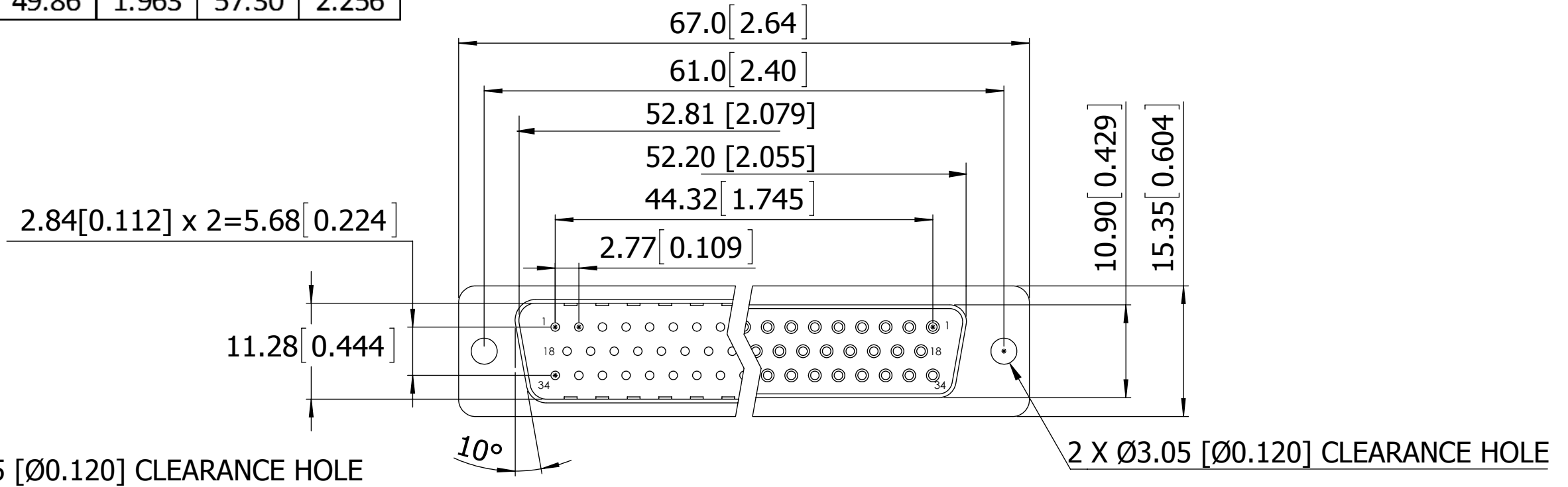
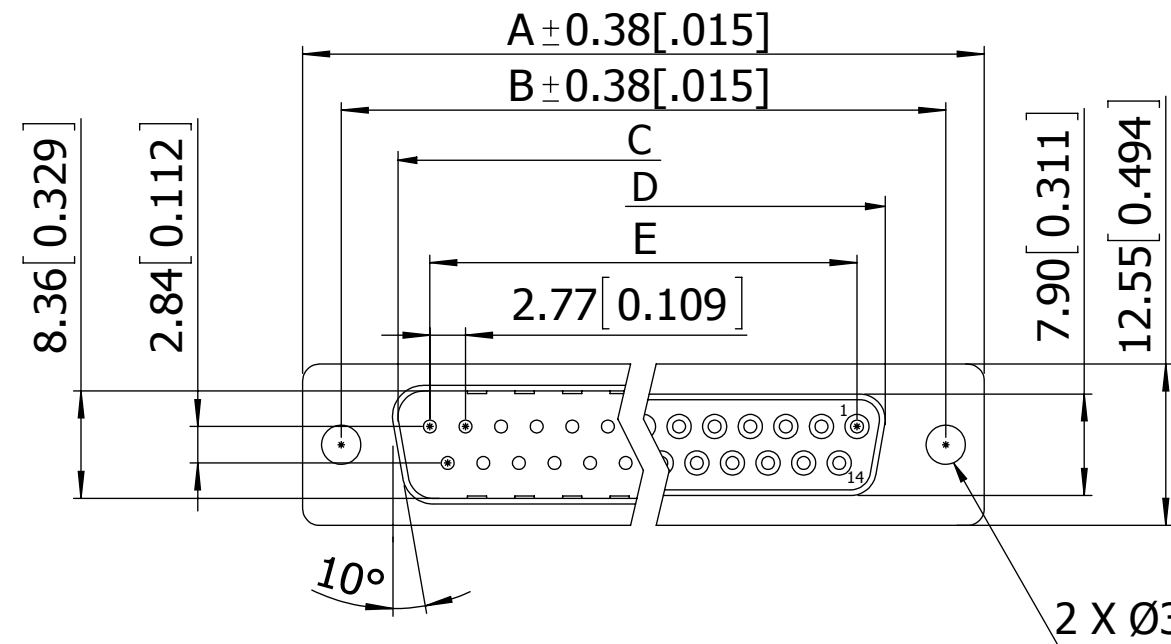
Address: A1208, Overseas Decoration Building, #122 Zhenhua RD., Futian, Shenzhen, China



DIMENSIONS

POSITIONS	A		B		C		D		E		F	
	MM	INCH	MM	INCH	MM	INCH	MM	INCH	MM	INCH	MM	INCH
09	30.81	1.213	24.99	0.984	16.92	0.666	16.33	0.643	11.08	0.436	19.20	0.756
15	39.20	1.543	33.30	1.311	25.25	0.994	24.70	0.972	19.39	0.763	27.70	1.091
25	53.05	2.088	47.04	1.852	38.96	1.534	38.40	1.512	33.24	1.309	41.10	1.618
37	69.40	2.732	63.50	2.500	55.42	2.182	54.80	2.158	49.86	1.963	57.30	2.256

REVISIONS				
REV.	ECO. NO	DESCRIPTION	DATE	BY
A	2398	INITIAL RELEASE	07/01/2011	LH
B	2576	UPDATE PART NUMBER CODING	05/10/2012	LH
C	2616	REMOVE 'B' PLATING	06/14/2012	LH



RECOMMENDED PCB LAYOUT
(PN EXAMPLE: SDS155-PRW2-M09-QN00-1)

RECOMMENDED PCB LAYOUT
50 POSITIONS
(PN EXAMPLE: SDS155-PRW2-M50-QN00-1)

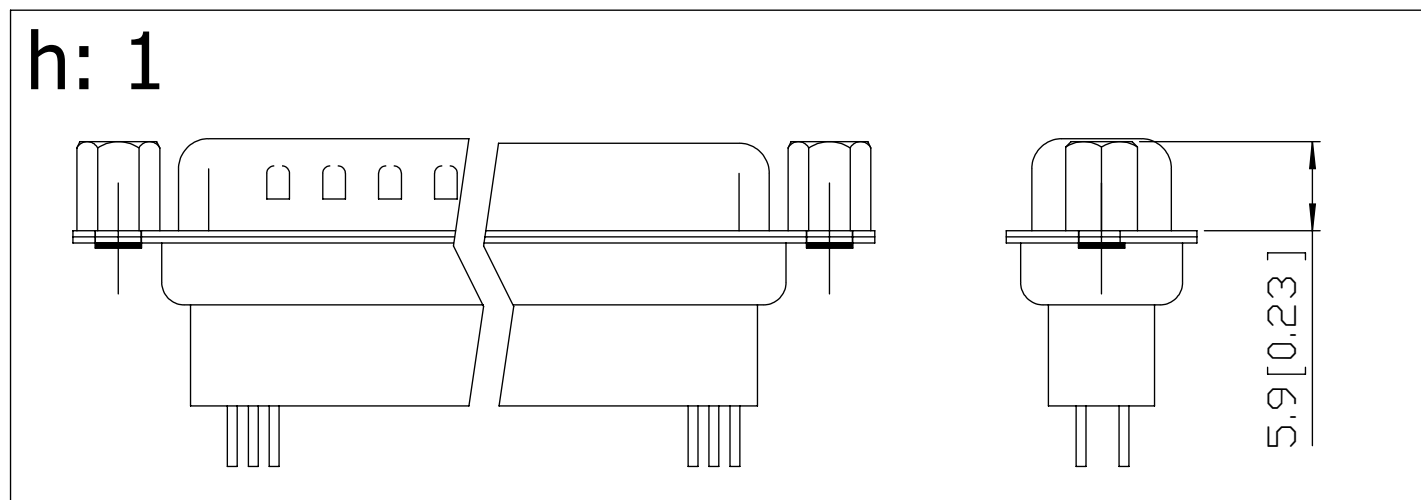
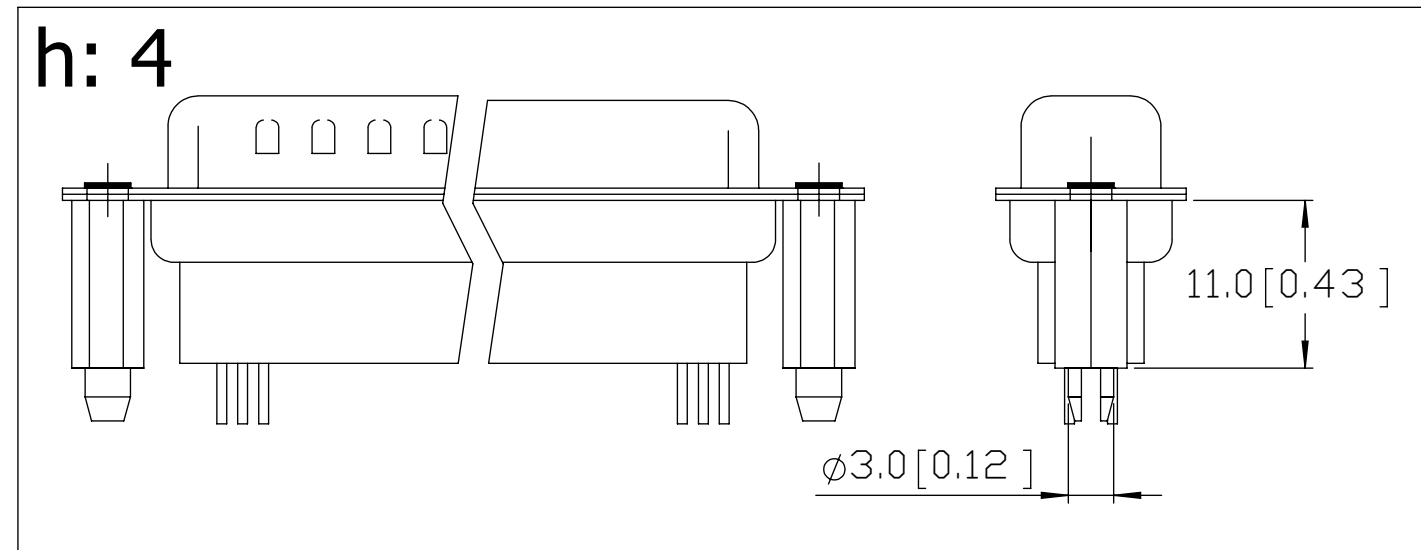
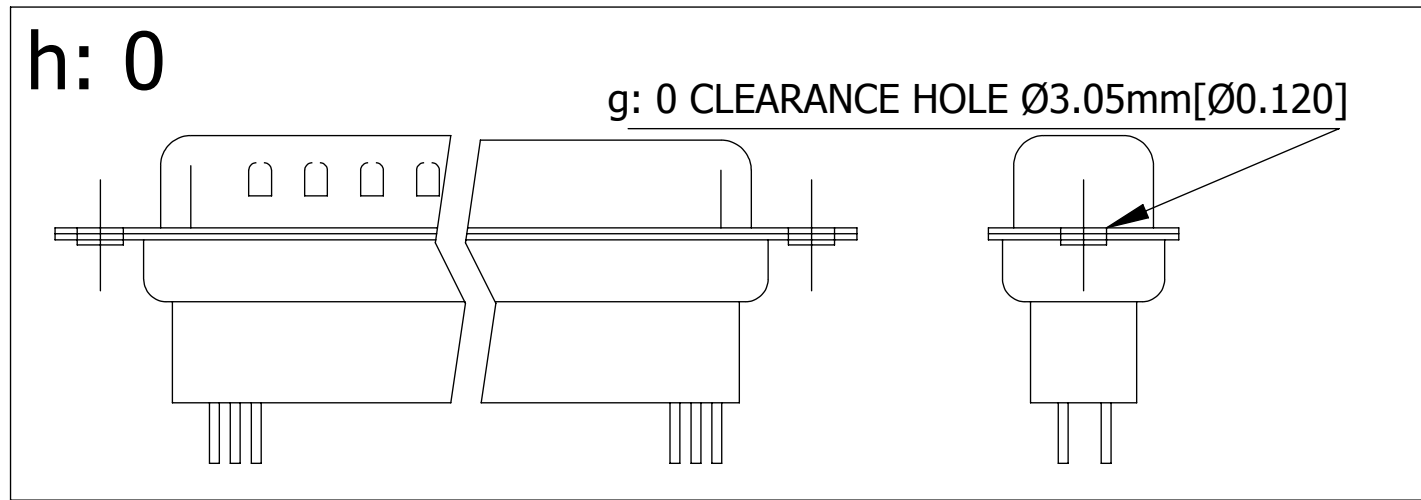
NOTES:
 MATERIAL
 INSULATOR : GLASS-FILLED THERMOPLASTIC PBT, UL94V-0
 CONTACT: BRASS
 SHELL : SPCC, .000100" TIN OVER .000050" MIN. COPPER (STANDARD, SEE PAGE 3)
 CLINCH NUT : BRASS, NICKEL PLATED
 BOARDLOCK : BRASS, TIN PLATED
 SCREWLOCK : STEEL, NICKEL PLATED
 OPERATING TEMPERATURE : -55 °C TO +105 °C

ELECTRICAL
 CONTACT RESISTANCE : 20 MILLIOHMS MAX AT 1 AMP DC
 INSULATION RESISTANCE : 1000 MAGOHMS AT 500 VDC
 DIELECTRIC WITHSTANDING VOLTAGE : 1000 VAC/RMS 60Hz FOR 1 MINUTE
 CURRENT RATING : 3 AMPS
 VOLATGE RATING : 250 VAC/RMS 60Hz

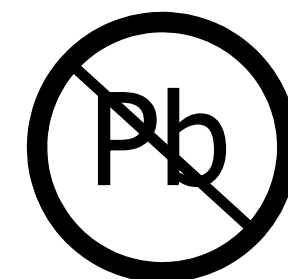
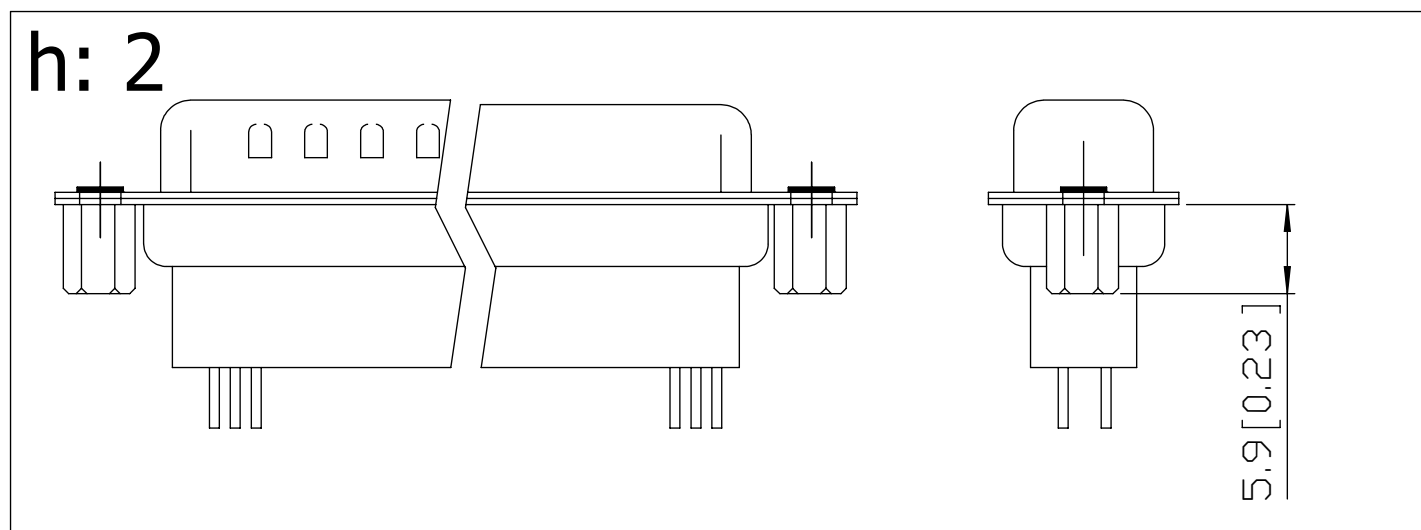


UNLESS OTHERWISE SPECIFIED: DIMENSIONS ARE IN MM [INCHES]	DRAWN	DATE	NAME	
		07/01/2011	LH	
TOLERANCES: ANGULAR: ± 3° DECIMALS X.= ± 0.38 [0.015] X.= ± 0.25 [0.010] .XX= ± 0.13 [0.005]	THE INFORMATION HEREIN CONTAINS PROPRIETARY INFORMATION OF SULLINS ELECTRONICS AND IS NOT TO BE REPRODUCED, USED OR DISCLOSED TO OTHERS FOR ANY PURPOSE EXCEPT AS SPECIFICALLY AUTHORIZED IN WRITING BY AN OFFICER OF SULLINS ELECTRONICS.			TITLE 155 SERIES D-SUB HIGH PROFILE STRAIGHT TYPE
	PART NUMBER SDS155-PR _ _ - _ -QN _ _ -1			SIZE C
CAGE CODE 54453		DWG. NO. 11801		REV C
SCALE: 1:8			SHEET 1 OF 3	

h. RIVET OPTIONS:



**CONSULT SALES OR
FACTORY FOR OTHER
MOUNTING STYLE OPTIONS**



RoHS COMPLIANT

UNLESS OTHERWISE SPECIFIED: DIMENSIONS ARE IN MM [INCHES]		DRAWN	DATE	NAME	
TOLERANCES: ANGULAR: ± 3° DECIMALS X.= ± 0.38 [015] X.= ± 0.25 [010] .XX= ± 0.13 [005]			07/01/2011	LH	
THE INFORMATION HEREIN CONTAINS PROPRIETARY INFORMATION OF SULLINS ELECTRONICS AND IS NOT TO BE REPRODUCED, USED OR DISCLOSED TO OTHERS FOR ANY PURPOSE EXCEPT AS SPECIFICALLY AUTHORIZED IN WRITING BY AN OFFICER OF SULLINS ELECTRONICS.					TITLE
					155 SERIES D-SUB HIGH PROFILE STRAIGHT TYPE
					PART NUMBER
					SDS155-PR _ _ _ _ -QN _ _ -1
		SIZE	CAGE CODE	DWG. NO.	REV
		C	54453	11801	C
SCALE: 1:8				SHEET 2 OF 3	

SDS155-PR__ - __ - QN__ - 1

a b c d e f g h i

a. CONTACT PLATING

(ALL PLATINGS HAVE .000050" NICKEL UNDERPLATE)

W = GOLD FLASH ON CONTACT SURFACE,
.000100" PURE TIN ON TERMINATION.

U = .000015" GOLD ON CONTACT SURFACE,
.000100" PURE TIN ON TERMINATION.

C = .000030" GOLD ON CONTACT SURFACE,
.000100" PURE TIN ON TERMINATION.

b. SHELL PLATING

1 = NICKEL
2 = TIN (STANDARD)

c. CONTACT TYPE

M = MALE
F = FEMALE

d. NO. OF CONTACTS

09 = 09 POSITIONS
15 = 15 POSITIONS
25 = 25 POSITIONS
37 = 37 POSITIONS
50 = 50 POSITIONS

e. PIN TYPE

Q = STAMPED PIN, TAIL LENGTH = 3.6mm [0.14]

f. FERRITE

N = WITHOUT FERRITE

g. FLANGE MOUNTING OPTION

0 = Ø3.05mm [Ø0.120] CLEARANCE HOLE

1 = #4-40 FEMALE THREAD

8 = #4-40 UNC (5.0 X 10.0 mm [0.20 X 0.39]) FEMALE SCREWLOCK INSTALLED

9 = #4-40 UNC (5.0 X 10.0 mm [0.20 X 0.39]) FEMALE SCREWLOCK BULK-PACKED

h. RIVET OPTIONS

0 = Ø3.05 mm [Ø.120] CLEARANCE HOLE

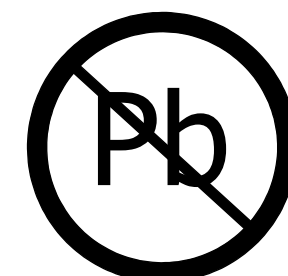
1 = FRONT RIVET, 5.9 mm [0.23]

2 = REAR RIVET, 5.9 mm [0.23]

4 = STANDOFF + 2 PRONG BOARDLOCK Ø3.0 X 11.0 L [0.12 X 0.43]

i. INSULATOR COLOR

1 = BLACK (STANDARD)



RoHS COMPLIANT

UNLESS OTHERWISE SPECIFIED: DIMENSIONS ARE IN MM [INCHES]		DRAWN	DATE	NAME				
			07/01/2011	LH				
TOLERANCES: ANGULAR: ± 3° DECIMALS X.= ± 0.38 [.015] X.= ± 0.25 [.010] .XX= ± 0.13 [.005]		THE INFORMATION HEREIN CONTAINS PROPRIETARY INFORMATION OF SULLINS ELECTRONICS AND IS NOT TO BE REPRODUCED, USED OR DISCLOSED TO OTHERS FOR ANY PURPOSE EXCEPT AS SPECIFICALLY AUTHORIZED IN WRITING BY AN OFFICER OF SULLINS ELECTRONICS.			TITLE			
		155 SERIES D-SUB HIGH PROFILE STRAIGHT TYPE			PART NUMBER			
SCALE: 1:8		SDS155-PR__ - __ - QN__ - 1			SIZE	CAGE CODE	DWG. NO.	REV
		C	54453	11801	C			
SHEET 3 OF 3								