



Chipsmall Limited consists of a professional team with an average of over 10 year of expertise in the distribution of electronic components. Based in Hongkong, we have already established firm and mutual-benefit business relationships with customers from,Europe,America and south Asia,supplying obsolete and hard-to-find components to meet their specific needs.

With the principle of “Quality Parts,Customers Priority,Honest Operation,and Considerate Service”,our business mainly focus on the distribution of electronic components. Line cards we deal with include Microchip,ALPS,ROHM,Xilinx,Pulse,ON,Everlight and Freescale. Main products comprise IC,Modules,Potentiometer,IC Socket,Relay,Connector.Our parts cover such applications as commercial,industrial, and automotives areas.

We are looking forward to setting up business relationship with you and hope to provide you with the best service and solution. Let us make a better world for our industry!



Contact us

Tel: +86-755-8981 8866 Fax: +86-755-8427 6832

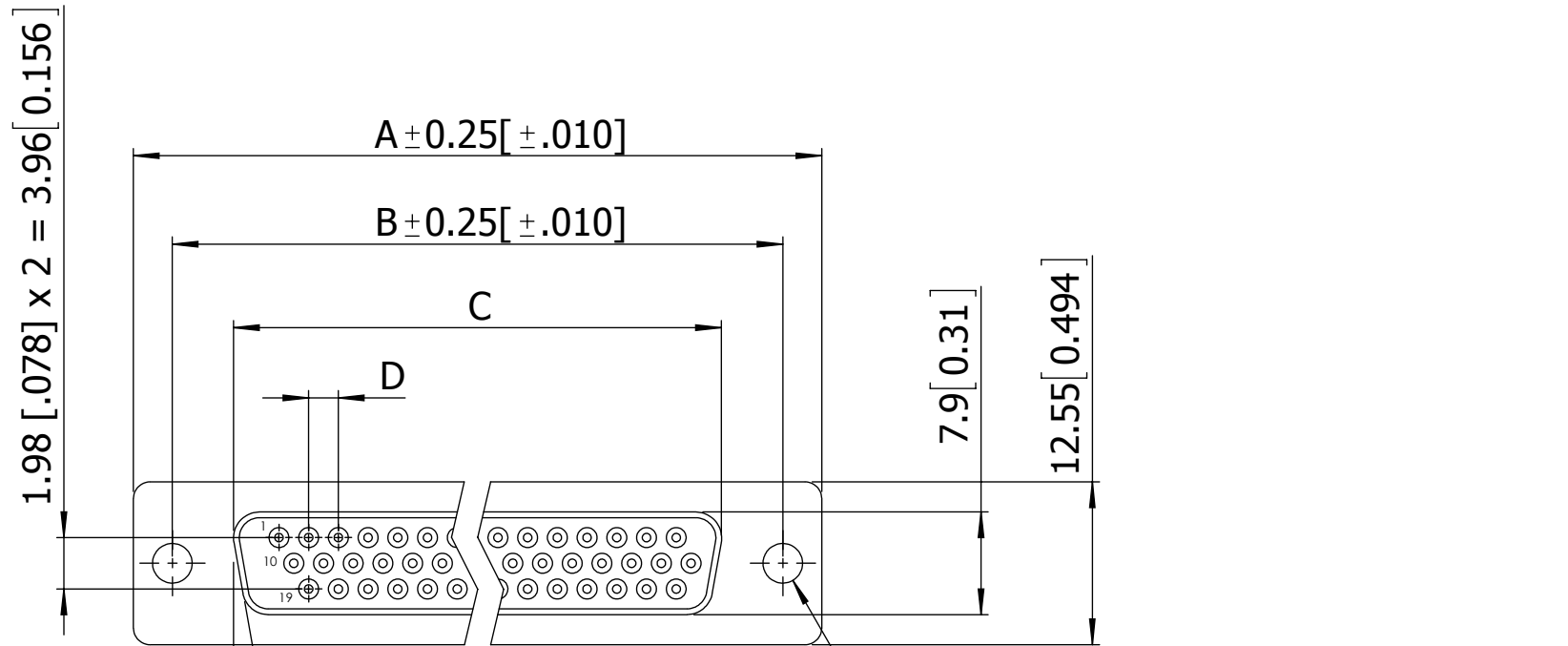
Email & Skype: info@chipsmall.com Web: www.chipsmall.com

Address: A1208, Overseas Decoration Building, #122 Zhenhua RD., Futian, Shenzhen, China

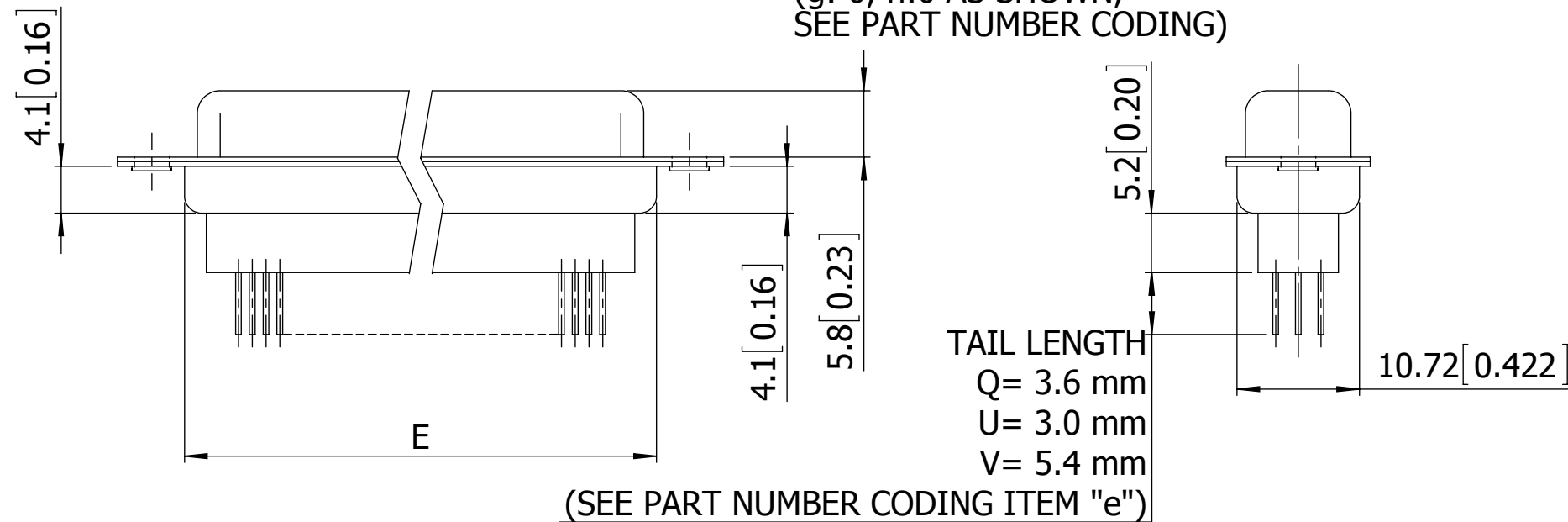


DIMENSION (FOR FEMALE 15, 26, 44, 62 POSITION)

| POSITIONS | A | | B | | C | | D | | E | |
|-----------|-------|-------|-------|-------|-------|-------|------|-------|-------|-------|
| | MM | INCH | MM | INCH | MM | INCH | MM | INCH | MM | INCH |
| 15 | 30.81 | 1.213 | 24.99 | 0.984 | 16.33 | 0.643 | 2.29 | 0.090 | 19.20 | 0.756 |
| 26 | 39.20 | 1.543 | 33.30 | 1.311 | 24.70 | 0.972 | 2.29 | 0.090 | 27.70 | 1.091 |
| 44 | 53.05 | 2.088 | 47.04 | 1.852 | 38.40 | 1.512 | 2.29 | 0.090 | 41.10 | 1.618 |
| 62 | 69.40 | 2.732 | 63.50 | 2.500 | 54.80 | 2.158 | 2.41 | 0.095 | 57.30 | 2.256 |

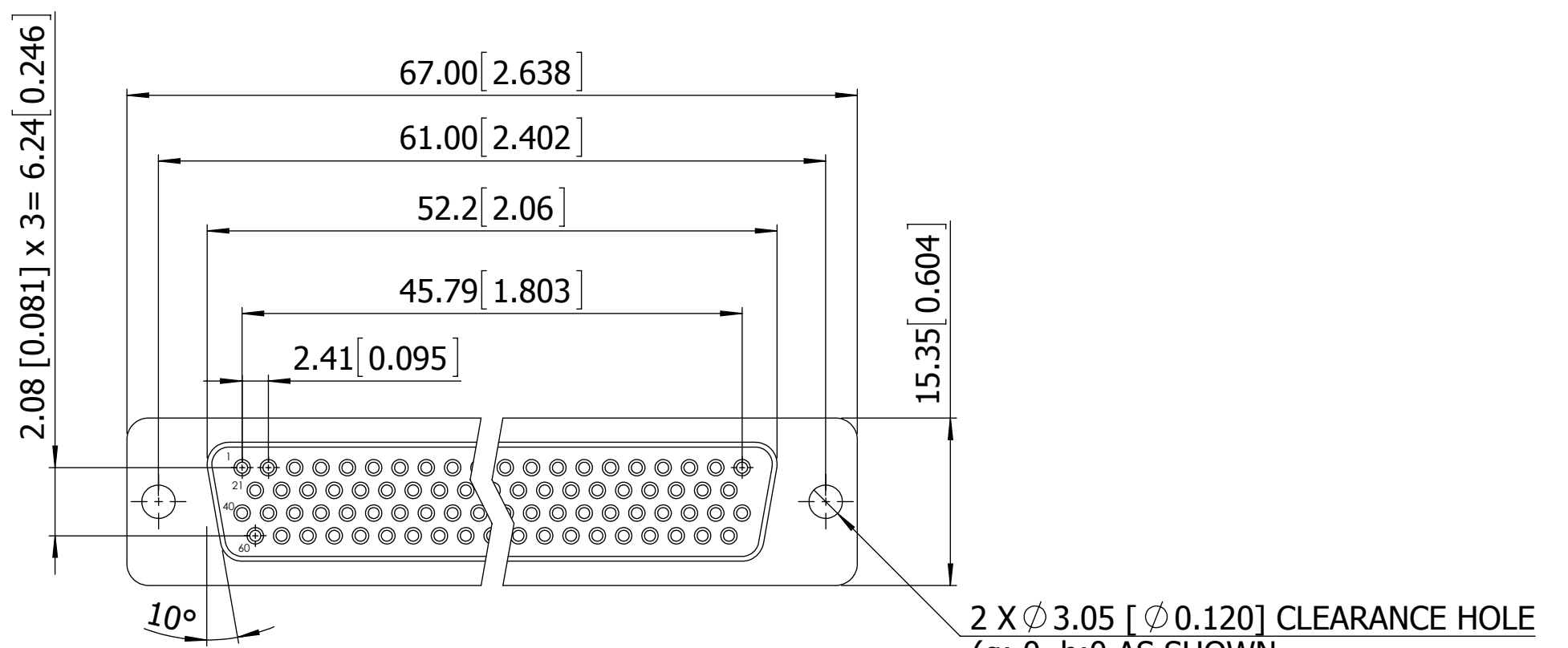


2 X Ø 3.05 [Ø 0.120] CLEARANCE HOLE
(g: 0, h:0 AS SHOWN, SEE PART NUMBER CODING)

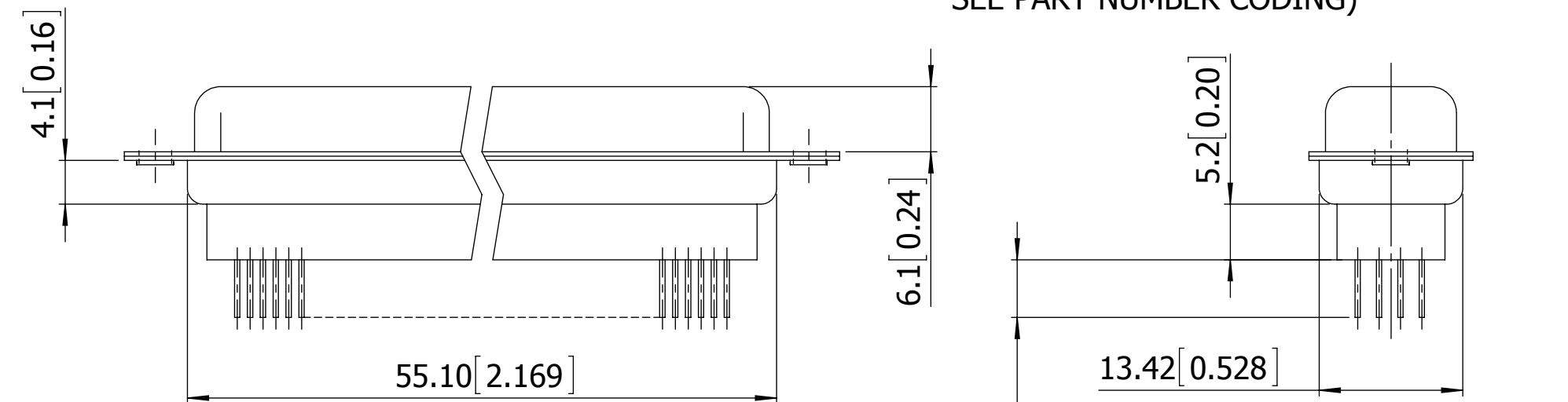


**FEMALE
15,26,44,62 POSITIONS**

(PN EXAMPLE: SDS160-PRW2-F15-QN00-1)



2 X Ø 3.05 [Ø 0.120] CLEARANCE HOLE
(g: 0, h:0 AS SHOWN, SEE PART NUMBER CODING)



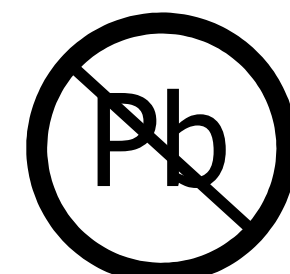
**FEMALE
78 POSITIONS**

(PN EXAMPLE: SDS160-PRW2-F78-QN00-1)

NOTES:

MATERIAL
INSULATOR : GLASS-FILLED THERMOPLASTIC PBT, UL94V-0
CONTACT: BRASS
SHELL : SPCC, .000100" TIN OVER .000050" MIN COPPER (STANDARD, SEE PAGE 4)
CLINCH NUT : BRASS, NICKEL PLATED
SCREWLOCK : STEEL, NICKEL PLATED
OPERATING TEMPERATURE : -55°C TO +105°C

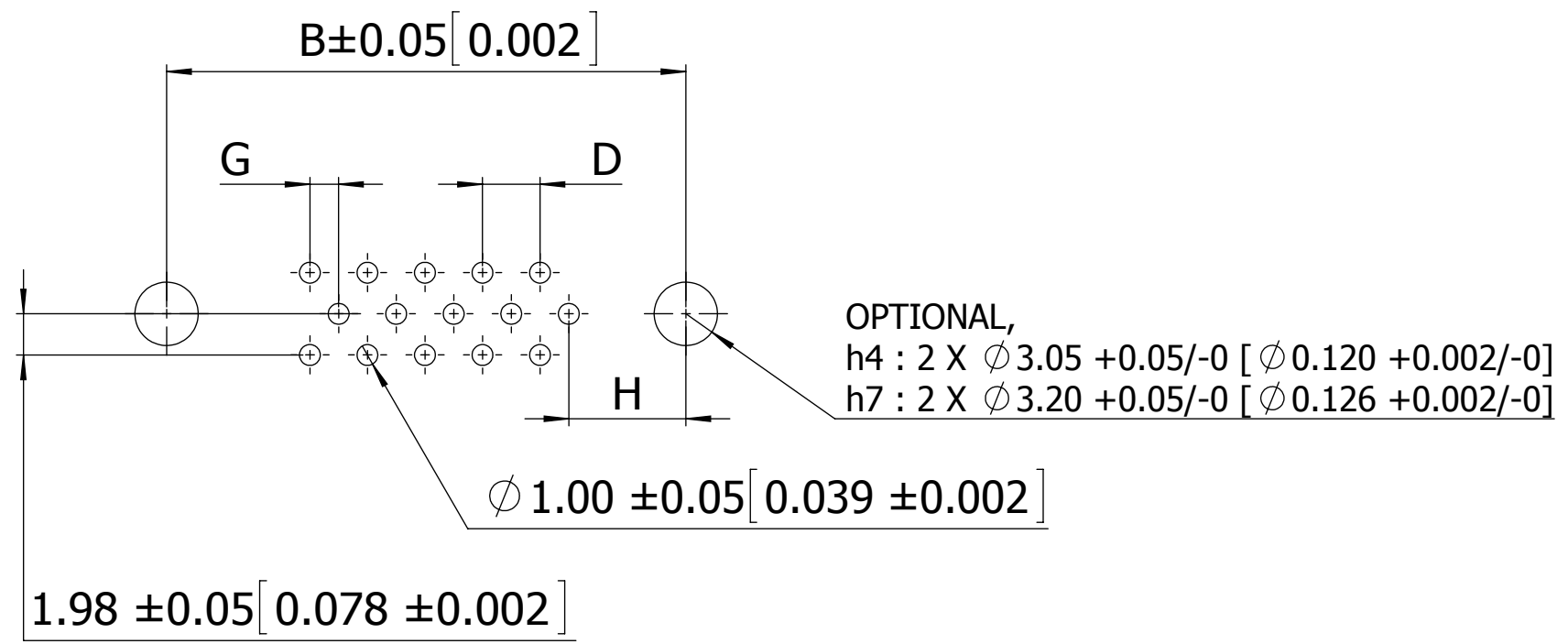
ELECTRICAL
CONTACT RESISTANCE : 20 MILLIOHMS MAX AT 1 AMP DC
INSULATION RESISTANCE : 1000 MAGOHMS AT 500 VDC
DIELECTRIC WITHSTANDING VOLTAGE : 1000 VAC/RMS 60Hz FOR 1 MINUTE
CURRENT RATING : 3 AMPS
VOLATGE RATING : 250 VAC/RMS 60Hz



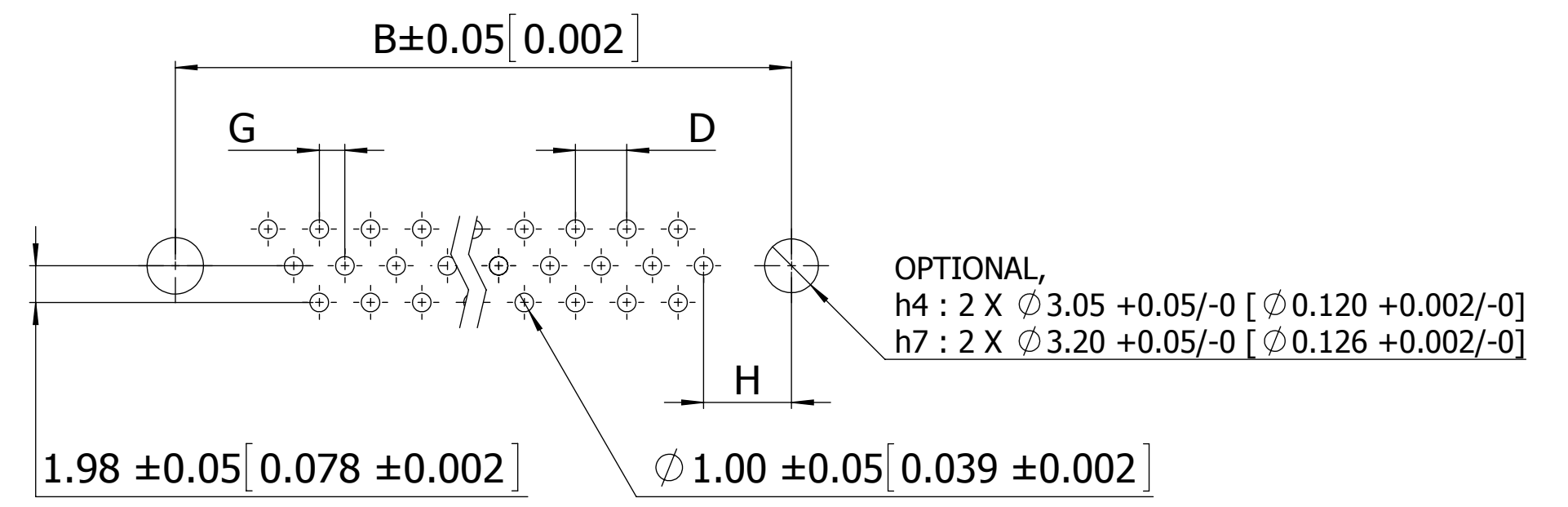
RoHS COMPLIANT

| | | | | |
|--|---|------------|--------------------------|--|
| UNLESS OTHERWISE SPECIFIED: DIMENSIONS ARE IN MM[INCHES] | DRAWN | DATE | NAME | |
| | | 07/01/2011 | LH | |
| TOLERANCES: ANGULAR: ± 3° DECIMALS X.=± 0.38[.015] .X=± 0.25[.010] .XX=± 0.13[.005] | <small>THE INFORMATION HEREIN CONTAINS PROPRIETARY INFORMATION OF SULLINS ELECTRONICS AND IS NOT TO BE REPRODUCED, USED OR DISCLOSED TO OTHERS FOR ANY PURPOSE EXCEPT AS SPECIFICALLY AUTHORIZED IN WRITING BY AN OFFICER OF SULLINS ELECTRONICS.</small> | | | TITLE 160 SERIES D-SUB H.D. HIGH PROFILE PCB TYPE |
| | PART NUMBER SDS160-PR - - - N - - | | | SIZE C |
| SCALE: 1:8 | | | DWG. NO. 11802 | REV D |
| | | | SHEET 1 OF 6 | |

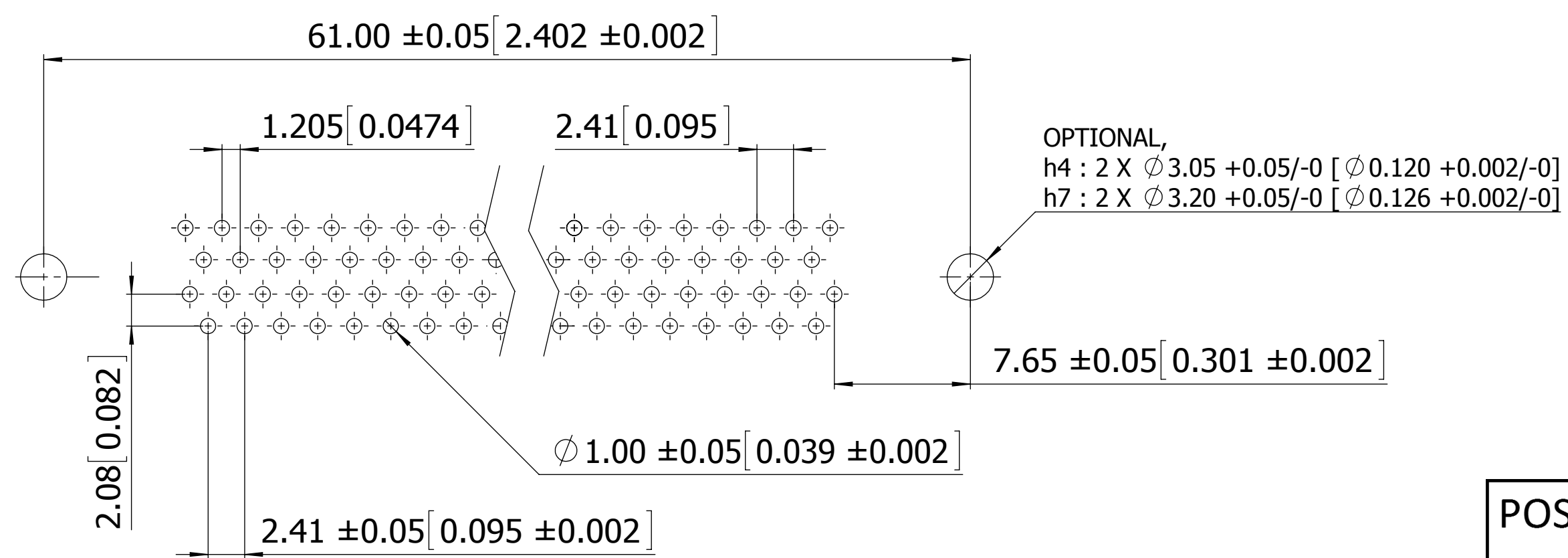
| REVISIONS | | | | |
|-----------|---------|---|------------|----|
| REV. | ECO. NO | DESCRIPTION | DATE | BY |
| C | 2616 | REMOVE 'MALE' PIN, ADD h:7 RESTRICTION ON PN CODING ITEM h | 06/14/2012 | LH |
| D | 2721 | ADD 'MALE' PIN, PIN TYPE 'G', 'R', 'Y' RIVET OPTION h:8, h:9 ON PN CODING, UPDATE "FEMALE" PCB LAYOUT HOLE Ø 3.05mm (WAS Ø 3.0mm) | 12/24/2012 | LH |



**FEMALE 15 POSITIONS
PCB LAYOUT PATTERN**



**FEMALE 26,44,62 POSITIONS
PCB LAYOUT PATTERN**



**FEMALE 78 POSITIONS
PCB LAYOUT PATTERN**

| POSITIONS/ CONTACT | G | | H | |
|-----------------------|-------|--------|------|-------|
| | MM | INCH | MM | INCH |
| 15 POSITION | 1.145 | 0.0451 | 7.04 | 0.277 |
| 26 POSITION | 1.145 | 0.0451 | 6.88 | 0.271 |
| 44 POSITION | 1.145 | 0.0451 | 6.88 | 0.271 |
| 62 POSITION | 1.205 | 0.0474 | 7.00 | 0.275 |

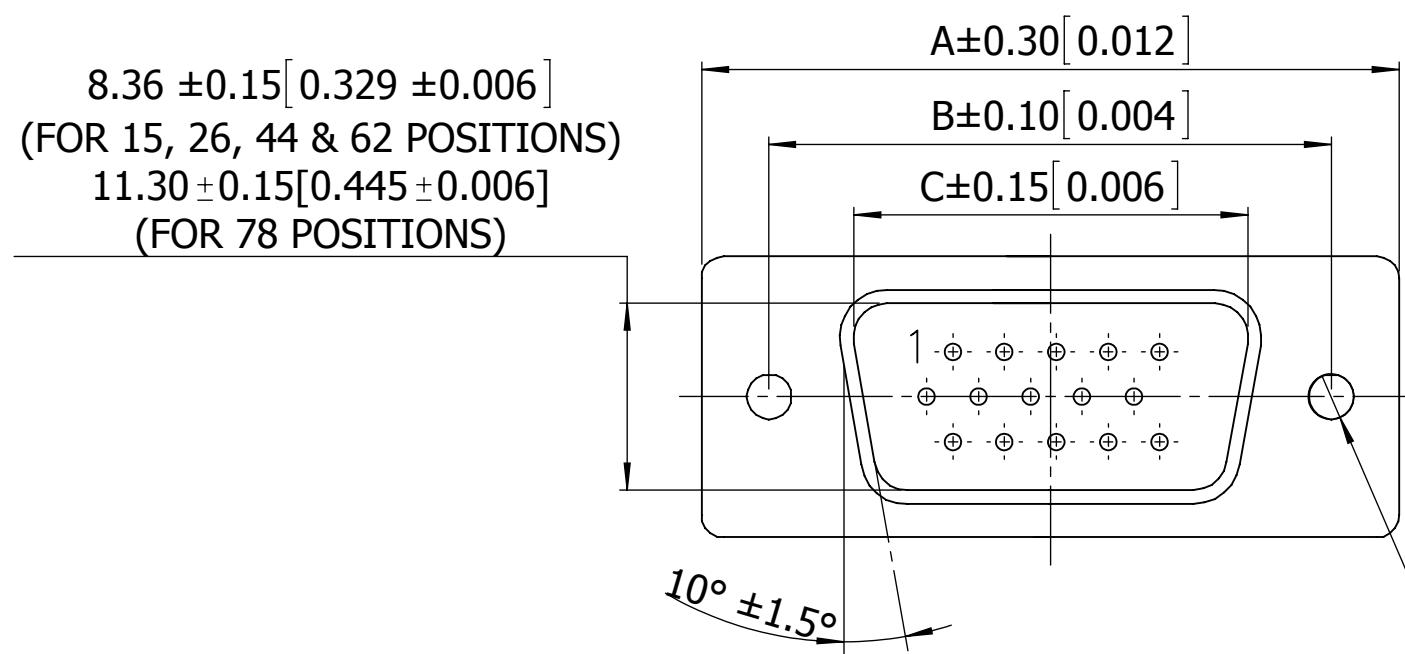


RoHS COMPLIANT

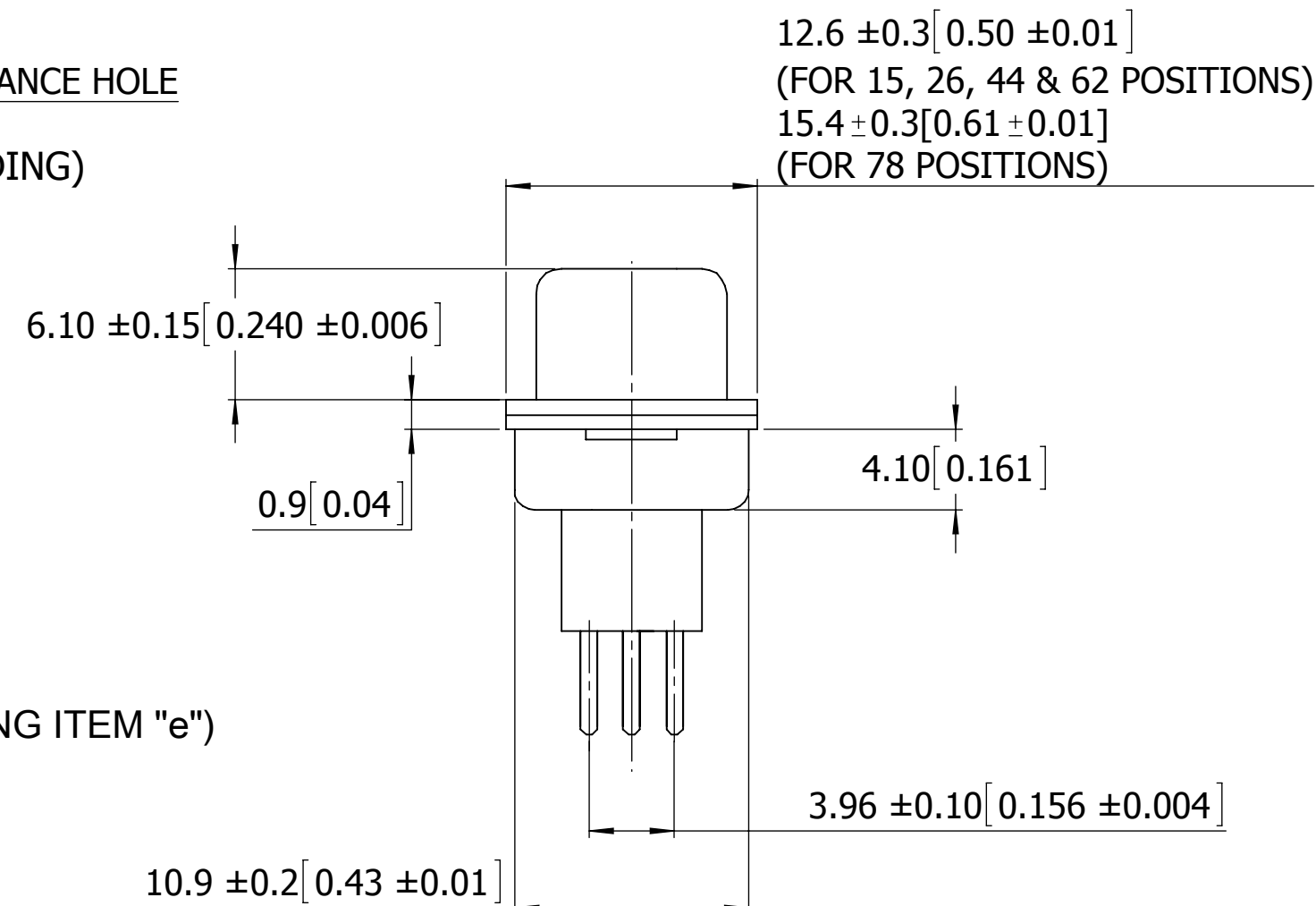
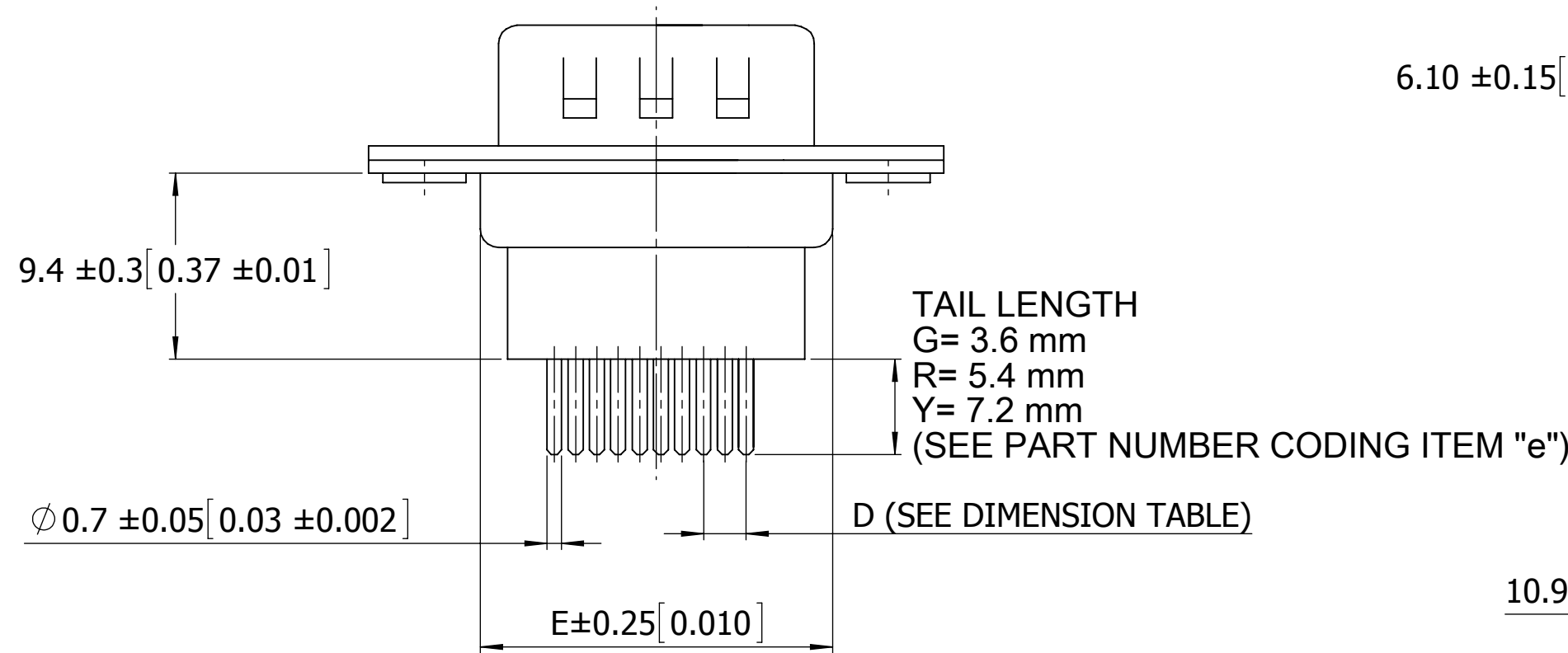
| | | | | |
|--|---|------------|--------------------------|--|
| UNLESS OTHERWISE SPECIFIED: DIMENSIONS ARE IN MM [INCHES] | DRAWN | DATE | NAME | |
| | | 07/01/2011 | LH | |
| TOLERANCES: ANGULAR: ± 3° DECIMALS X.= ± 0.38 [.015] .X= ± 0.25 [.010] .XX= ± 0.13 [.005] | <small>THE INFORMATION HEREIN CONTAINS PROPRIETARY INFORMATION OF SULLINS ELECTRONICS AND IS NOT TO BE REPRODUCED, USED OR DISCLOSED TO OTHERS FOR ANY PURPOSE EXCEPT AS SPECIFICALLY AUTHORIZED IN WRITING BY AN OFFICER OF SULLINS ELECTRONICS.</small> | | | TITLE 160 SERIES D-SUB H.D. HIGH PROFILE PCB TYPE |
| | PART NUMBER SDS160-PR _ _ _ _ _ N _ _ _ | | | SIZE C |
| | | | DWG. NO. 11802 | REV D |
| | | | SCALE: 1:8 | SHEET 2 OF 6 |

DIMENSION (FOR MALE, 15, 26, 44, 62, 78 POSITIONS)

| POSITIONS | A | | B | | C | | D | | E | |
|-----------|-------|-------|-------|-------|-------|-------|------|-------|-------|-------|
| | MM | INCH | MM | INCH | MM | INCH | MM | INCH | MM | INCH |
| 15 | 30.80 | 1.213 | 24.99 | 0.984 | 16.92 | 0.666 | 2.29 | 0.090 | 19.20 | 0.756 |
| 26 | 39.20 | 1.543 | 33.32 | 1.312 | 25.25 | 0.994 | 2.29 | 0.090 | 27.70 | 1.091 |
| 44 | 53.00 | 2.088 | 47.04 | 1.852 | 38.95 | 1.533 | 2.29 | 0.090 | 41.10 | 1.618 |
| 62 | 69.40 | 2.732 | 63.50 | 2.500 | 55.40 | 2.158 | 2.41 | 0.095 | 57.30 | 2.256 |
| 78 | 67.00 | 2.638 | 61.10 | 2.406 | 52.80 | 2.158 | 2.41 | 0.095 | 55.10 | 2.169 |



2 X $\phi 3.0 [\phi 0.118]$ CLEARANCE HOLE
 (g: 0, h:0 AS SHOWN,
 SEE PART NUMBER CODING)



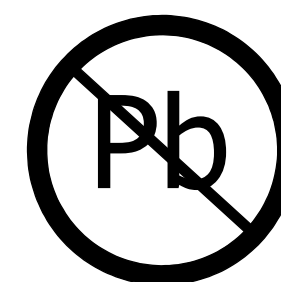
**MALE
 15,26,44,62,78 POSITIONS**

(PN EXAMPLE: SDS160-PRP2-M15-RN00-1)

NOTES:

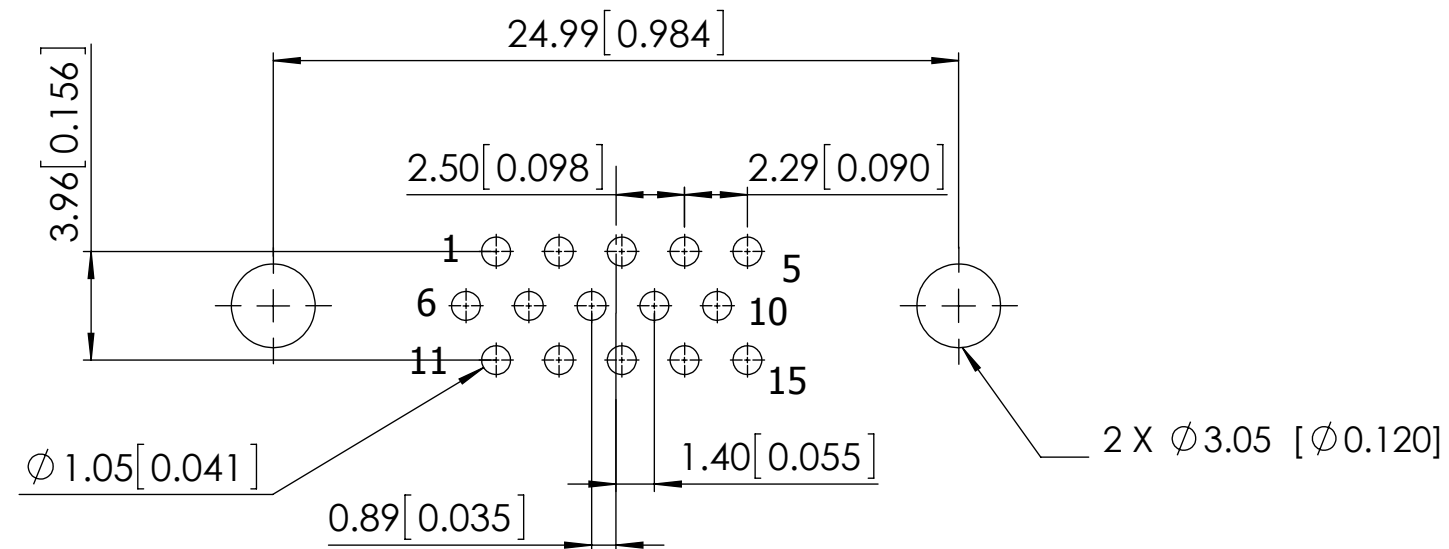
MATERIAL
 INSULATOR : GLASS-FILLED THERMOPLASTIC PBT, UL94V-0, COLOR: BLACK.
 CONTACT: BRASS
 SHELL : SPCC, .000100" TIN OVER .000050" MIN COPPER (STANDARD, SEE PAGE 4)
 CLINCH NUT : BRASS, NICKEL PLATED
 SCREWLOCK : STEEL, NICKEL PLATED
 OPERATING TEMPERATURE : -50°C TO +100°C

ELECTRICAL
 CONTACT RESISTANCE : 15 MILLIOHMS MAX.
 INSULATION RESISTANCE : 1000 MAGOHMS MIN.
 DIELECTRIC WITHSTANDING VOLTAGE : 500 VAC/RMS 60Hz FOR 1 MINUTE.
 CURRENT RATING : 5 AMPS

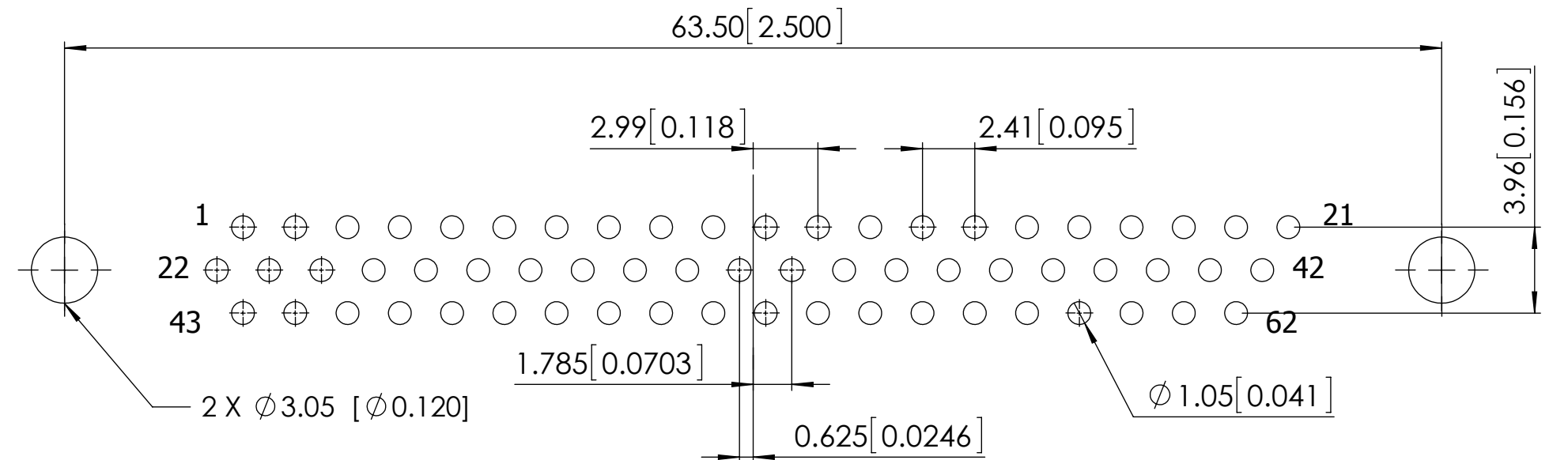


RoHS COMPLIANT

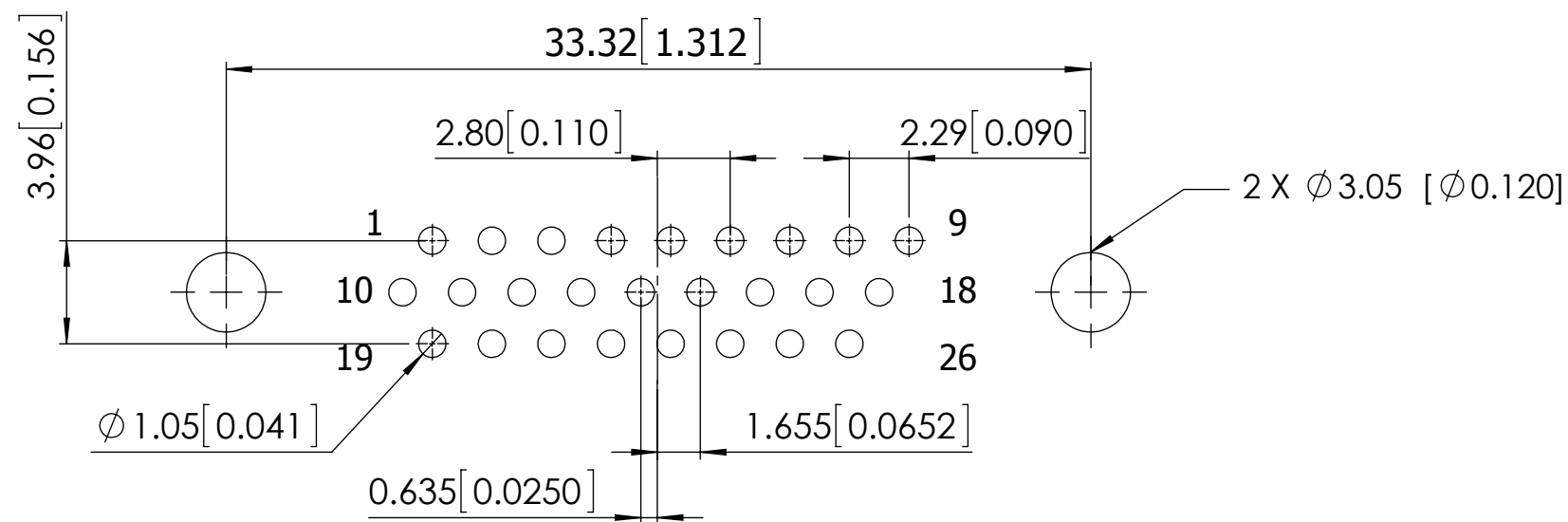
| | | | | |
|--|--|------------|-------------------|---|
| UNLESS OTHERWISE SPECIFIED: DIMENSIONS ARE IN MM [INCHES] | DRAWN | DATE | NAME | |
| | | 07/01/2011 | LH | |
| TOLERANCES: ANGULAR: $\pm 3^\circ$ DECIMALS X.= $\pm 0.38 [0.015]$ X.= $\pm 0.25 [0.010]$.XX= $\pm 0.13 [0.005]$ | THE INFORMATION HEREIN CONTAINS PROPRIETARY INFORMATION OF SULLINS ELECTRONICS AND IS NOT TO BE REPRODUCED, USED OR DISCLOSED TO OTHERS FOR ANY PURPOSE EXCEPT AS SPECIFICALLY AUTHORIZED IN WRITING BY AN OFFICER OF SULLINS ELECTRONICS. | | | TITLE 160 SERIES D-SUB H.D. HIGH PROFILE PCB TYPE |
| | PART NUMBER SDS160-PR_ _ _ _ _ N _ _ _ | | | SIZE C 54453 |
| SCALE: 1:8 | | | DWG. NO. 11802 | REV D |
| | | | SHEET 3 OF 6 | |



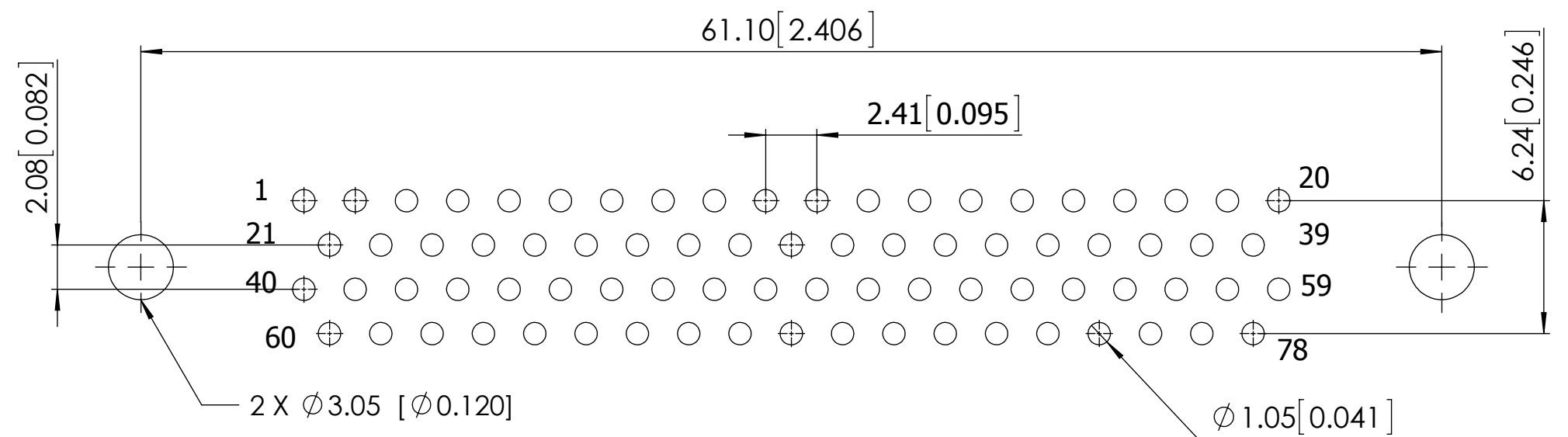
**MALE 15 POSITIONS
PCB LAYOUT PATTERN**



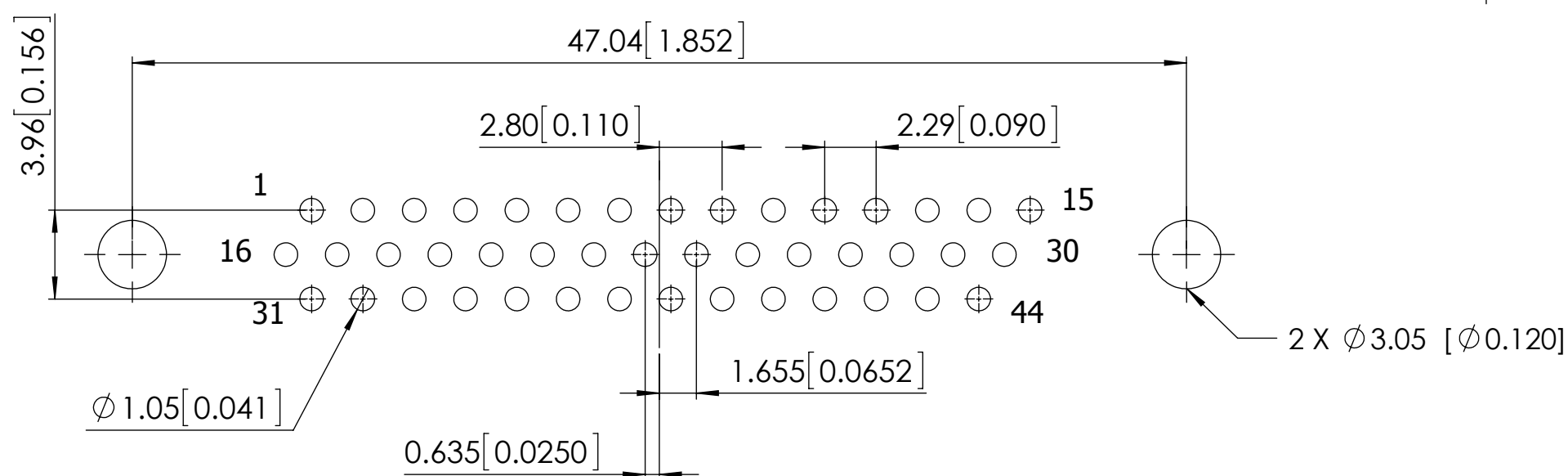
**MALE 62 POSITIONS
PCB LAYOUT PATTERN**



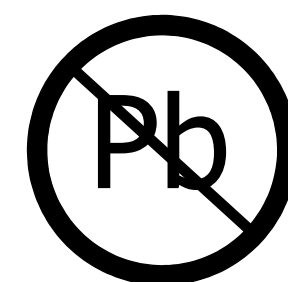
**MALE 26 POSITIONS
PCB LAYOUT PATTERN**



**MALE 78 POSITIONS
PCB LAYOUT PATTERN**

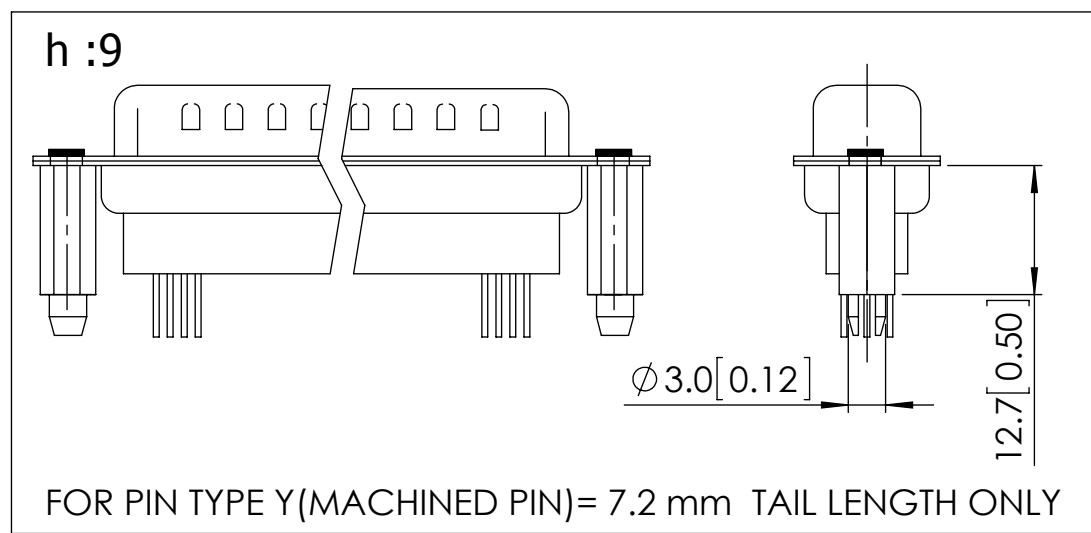
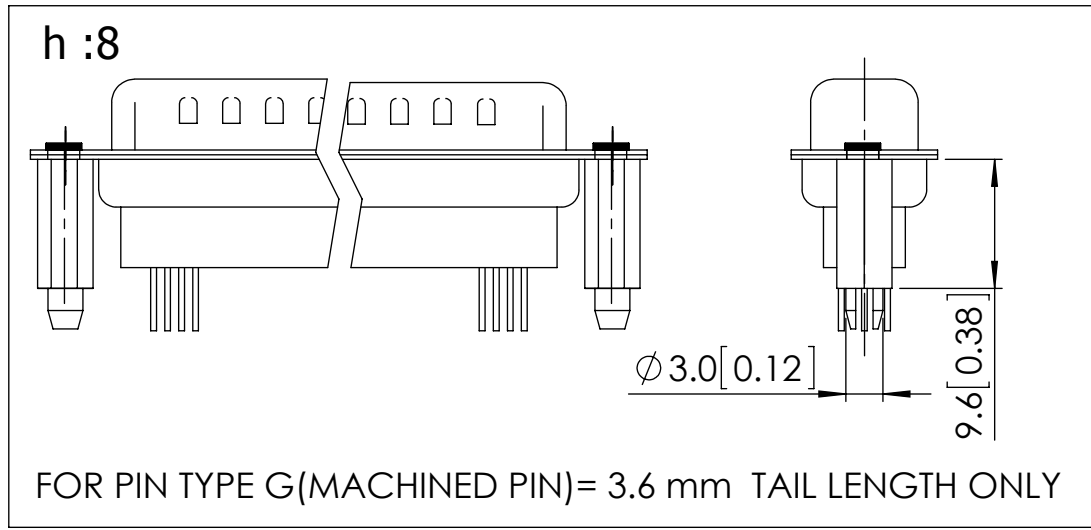
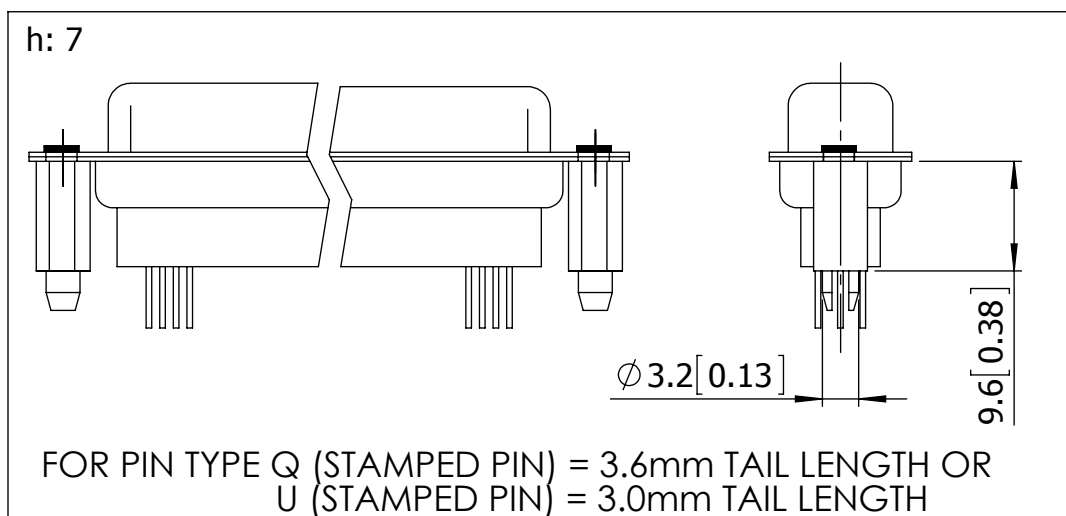
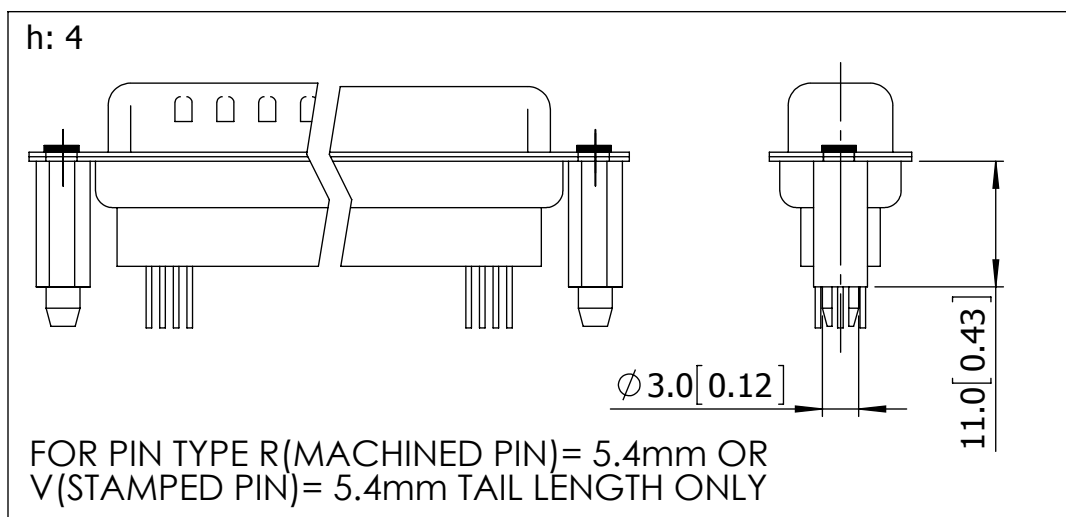
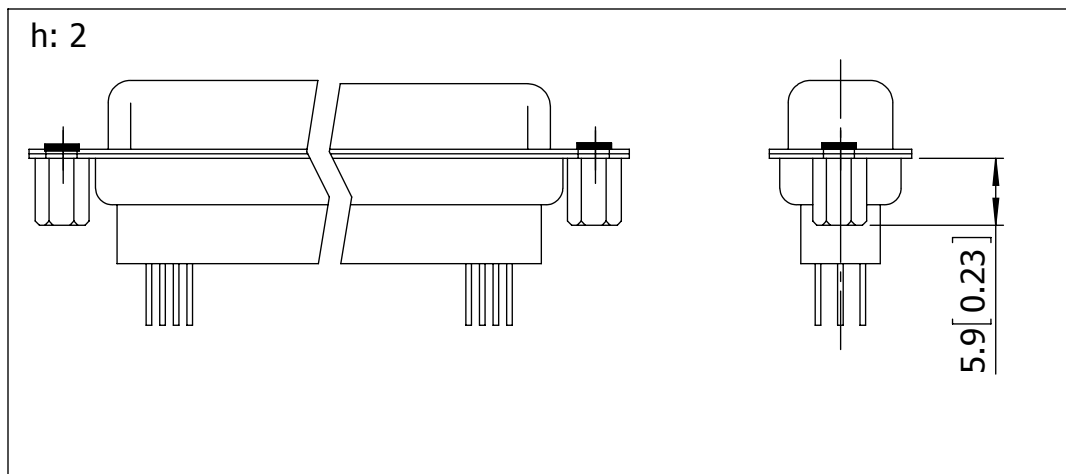
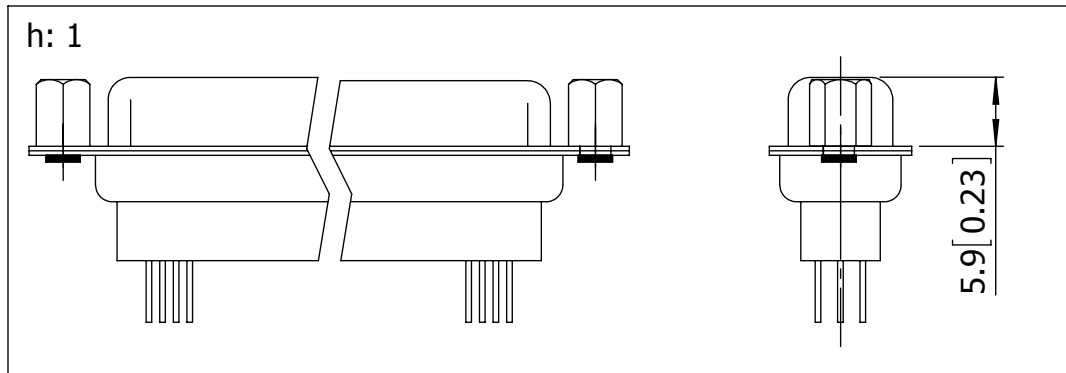
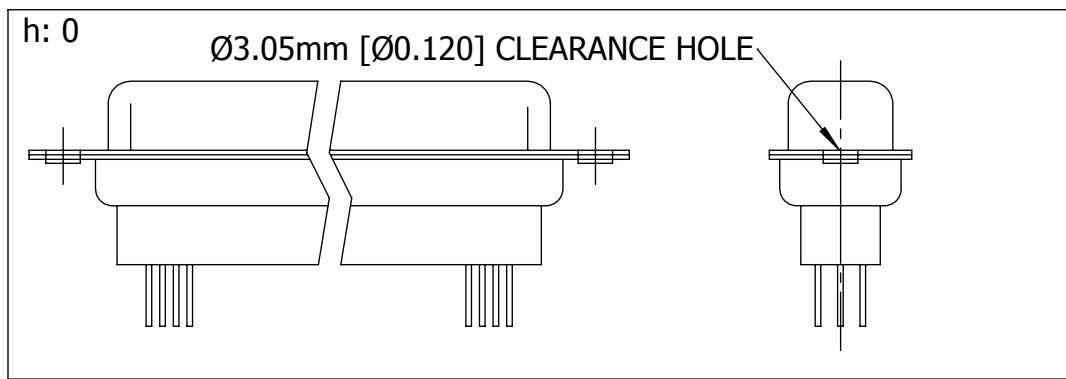


**MALE 44 POSITIONS
PCB LAYOUT PATTERN**

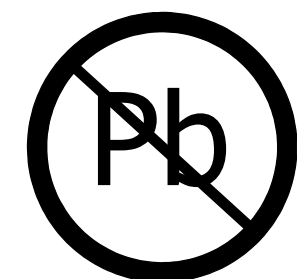


RoHS COMPLIANT

| | | | | | |
|---|--|-------|--------------------------|---------------------|--|
| UNLESS OTHERWISE SPECIFIED: DIMENSIONS ARE IN MM [INCHES] | | DRAWN | DATE | NAME | |
| TOLERANCES: ANGULAR: ± 3° DECIMALS X.= ± 0.38 [0.15] X.= ± 0.25 [0.10] .XX= ± 0.13 [0.05] | | | 07/01/2011 | LH | |
| <small>THE INFORMATION HEREIN CONTAINS PROPRIETARY INFORMATION OF SULLINS ELECTRONICS AND IS NOT TO BE REPRODUCED, USED OR DISCLOSED TO OTHERS FOR ANY PURPOSE EXCEPT AS SPECIFICALLY AUTHORIZED IN WRITING BY AN OFFICER OF SULLINS ELECTRONICS.</small> | | | | | TITLE 160 SERIES D-SUB H.D. HIGH PROFILE PCB TYPE |
| PART NUMBER SDS160-PR - - - - N - - - | | | | | SIZE C |
| CAGE CODE 54453 | | | DWG. NO. 11802 | | REV D |
| SCALE: 1:8 | | | | SHEET 4 OF 6 | |



**CONSULT SALES OR
FACTORY FOR OTHER
MOUNTING STYLE OPTIONS**



RoHS COMPLIANT

| | | | | | |
|---|-----------|----------|--------------|------|--|
| UNLESS OTHERWISE SPECIFIED: DIMENSIONS ARE IN MM [INCHES] | | DRAWN | DATE | NAME | |
| TOLERANCES: ANGULAR: $\pm 3^\circ$ DECIMALS X = $\pm 0.38 [0.15]$ XX = $\pm 0.25 [0.10]$.XX = $\pm 0.13 [0.005]$ | | | 07/01/2011 | LH | |
| <small>THE INFORMATION HEREIN CONTAINS PROPRIETARY INFORMATION OF SULLINS ELECTRONICS AND IS NOT TO BE REPRODUCED, USED OR DISCLOSED TO OTHERS FOR ANY PURPOSE EXCEPT AS SPECIFICALLY AUTHORIZED IN WRITING BY AN OFFICER OF SULLINS ELECTRONICS.</small> | | | | | 160 SERIES D-SUB H.D. HIGH PROFILE PCB TYPE |
| PART NUMBER | | | | | SDS160-PR_ _ _ _ _ N _ _ _ |
| SIZE | CAGE CODE | DWG. NO. | REV | | |
| C | 54453 | 11802 | D | | |
| SCALE: 1:8 | | | SHEET 5 OF 6 | | |

SDS160-PR - - - - - N - - - - -

a b c d e f g h i

a. CONTACT PLATING

(ALL PLATINGS HAVE .000050" NICKEL UNDERPLATE)
 W = GOLD FLASH ON CONTACT SURFACE,
 .000100" PURE TIN ON TERMINATION.
 B = .000010" GOLD ON CONTACT SURFACE,
 .000100" PURE TIN ON TERMINATION.
 U = .000015" GOLD ON CONTACT SURFACE,
 .000100" PURE TIN ON TERMINATION.
 C = .000030" GOLD ON CONTACT SURFACE,
 .000100" PURE TIN ON TERMINATION.
 P = GOLD FLASH OVERALL (MACHINED PIN ONLY).

b. SHELL PLATING

1 = NICKEL
 2 = TIN (STANDARD)

c. CONTACT TYPE:

F = FEMALE (STAMPED PIN)
 M = MALE (MACHINED PIN, AVAILABLE IN 'P' PLATING ONLY))

d. NO. OF CONTACTS

15 = 15 POSITIONS
 * 26 = 26 POSITIONS
 * 44 = 44 POSITIONS
 * 62 = 62 POSITIONS
 * 78 = 78 POSITIONS
 *CONSULT FACTORY FOR AVAILABILITY

e. PIN TYPE

Q = STAMPED PIN, TAIL LENGTH = 3.6mm [0.14]
 U = STAMPED PIN, TAIL LENGTH = 3.0mm [0.12]
 V = STAMPED PIN, TAIL LENGTH = 5.4mm [0.21]
 G = MACHINED PIN, TAIL LENGTH = 3.6mm [0.14]
 R = MACHINED PIN, TAIL LENGTH = 5.4mm [0.21]
 Y = MACHINED PIN, TAIL LENGTH = 7.2mm [0.28]

f. FERRITE

N = WITHOUT FERRITE

g. FLANGE MOUNTING OPTION

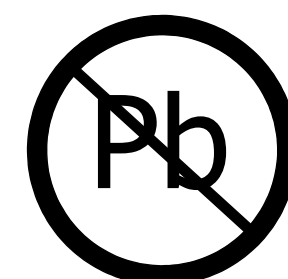
0 = Ø3.05mm [Ø0.120] CLEARANCE HOLE
 1 = #4-40 FEMALE THREAD
 B = #4-40 UNC (5.8 X 11.8 mm [0.23 X 0.46]) FEMALE SCREWLOCK INSTALLED
 C = #4-40 UNC (5.8 X 11.8 mm [0.23 X 0.46]) FEMALE SCREWLOCK BULK-PACKED
 D = #4-40 UNC (5.8 X 10.8 mm [0.23 X 0.43]) SLOTTED FEMALE SCREWLOCK BULK-PACKED

h. RIVET OPTIONS

0 = Ø3.05 mm [Ø.120] CLEARANCE HOLE
 1 = FRONT RIVET, 5.9 mm [0.23]
 2 = REAR RIVET, 5.9 mm [0.23]
 4 = STANDOFF + 2 PRONG BOARDLOCK Ø3.0 X 11.0L mm [Ø0.12 X 0.43] (FOR OPTION e: PIN TYPE 'V' OR 'R' ONLY)
 7 = STANDOFF + 2 PRONG BOARDLOCK Ø3.2 X 9.6L mm [Ø0.13 X 0.38] (FOR OPTION e: PIN TYPE 'Q' OR 'U' ONLY)
 8 = STANDOFF + 2 PRONG BOARDLOCK Ø3.0 X 9.6L mm [Ø0.12 X 0.38] (FOR OPTION e: PIN TYPE 'G' ONLY)
 9 = STANDOFF + 2 PRONG BOARDLOCK Ø3.0 X 12.7L mm [Ø0.12 X 0.50] (FOR OPTION e: PIN TYPE 'Y' ONLY)

i. INSULATOR COLOR

1 = BLACK
 2 = BLUE



RoHS COMPLIANT

| | | | | | |
|--|-----------|--------------|------------|------|----------------------------------|
| UNLESS OTHERWISE SPECIFIED: DIMENSIONS ARE IN MM [INCHES] | | DRAWN | DATE | NAME | |
| TOLERANCES: ANGULAR: ± 3° DECIMALS X.= ± 0.38 [.015] X.= ± 0.25 [.010] .XX= ± 0.13 [.005] | | | 07/01/2011 | LH | |
| THE INFORMATION HEREIN CONTAINS PROPRIETARY INFORMATION OF SULLINS ELECTRONICS AND IS NOT TO BE REPRODUCED, USED OR DISCLOSED TO OTHERS FOR ANY PURPOSE EXCEPT AS SPECIFICALLY AUTHORIZED IN WRITING BY AN OFFICER OF SULLINS ELECTRONICS. | | | | | TITLE |
| | | | | | 160 SERIES |
| | | | | | D-SUB H.D. HIGH PROFILE PCB TYPE |
| | | | | | PART NUMBER |
| | | | | | SDS160-PR - - - - - N - - - - - |
| SIZE | CAGE CODE | DWG. NO. | REV | | |
| C | 54453 | 11802 | D | | |
| SCALE: 1:8 | | SHEET 6 OF 6 | | | |