



Chipsmall Limited consists of a professional team with an average of over 10 year of expertise in the distribution of electronic components. Based in Hongkong, we have already established firm and mutual-benefit business relationships with customers from,Europe,America and south Asia,supplying obsolete and hard-to-find components to meet their specific needs.

With the principle of "Quality Parts,Customers Priority,Honest Operation,and Considerate Service",our business mainly focus on the distribution of electronic components. Line cards we deal with include Microchip,ALPS,ROHM,Xilinx,Pulse,ON,Everlight and Freescale. Main products comprise IC,Modules,Potentiometer,IC Socket,Relay,Connector.Our parts cover such applications as commercial,industrial, and automotives areas.

We are looking forward to setting up business relationship with you and hope to provide you with the best service and solution. Let us make a better world for our industry!



## Contact us

Tel: +86-755-8981 8866 Fax: +86-755-8427 6832

Email & Skype: info@chipsmall.com Web: www.chipsmall.com

Address: A1208, Overseas Decoration Building, #122 Zhenhua RD., Futian, Shenzhen, China



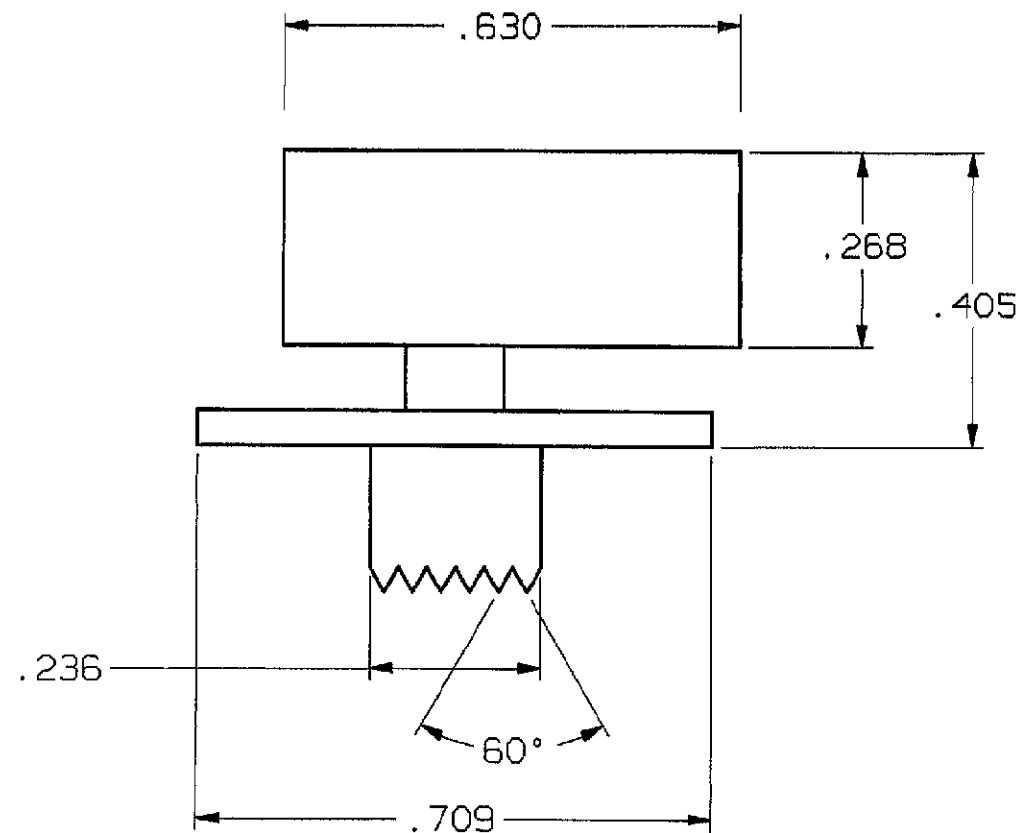
4

3

2

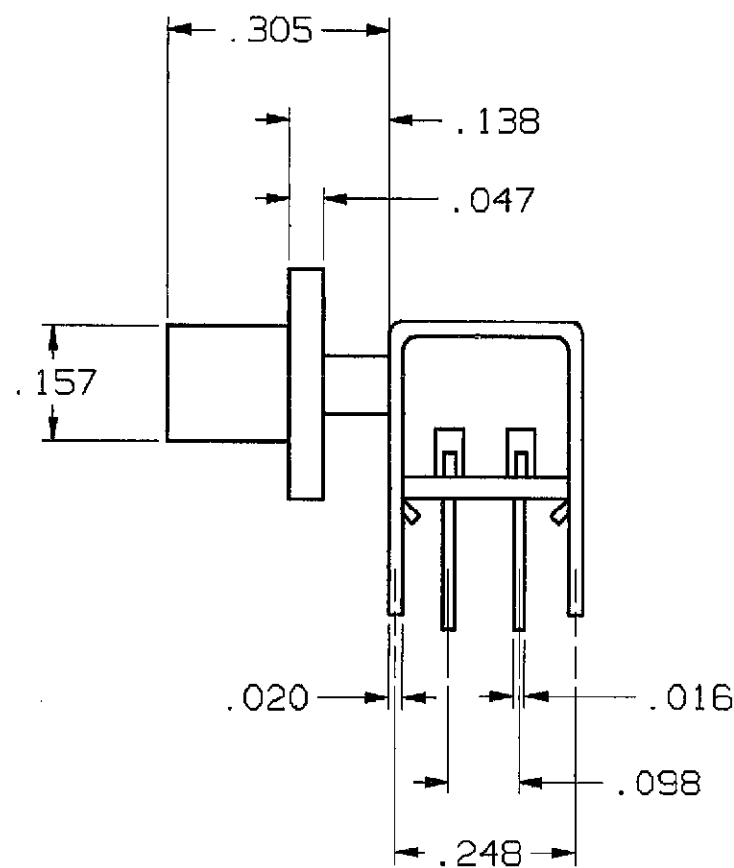
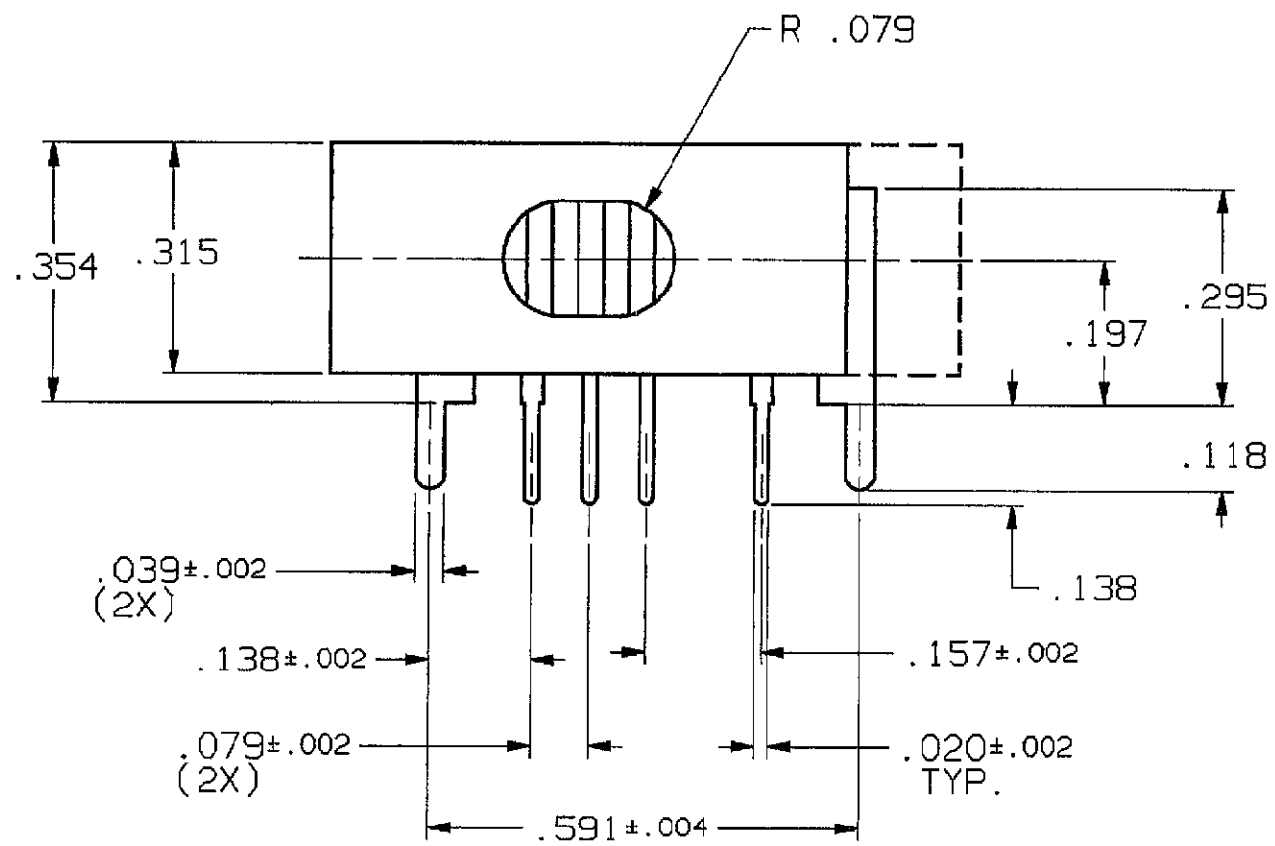
1

CONVERSION CHART		CONVERSION CHART	
INCH	MM	INCH	MM
.002	0.05	.630	16.00
.004	0.10	.709	18.00
.008	0.20		
.016	0.40		
.020	0.50		
.035	0.90		
.039	1.00		
.047	1.20		
.055	1.40		
.079	2.00		
.098	2.50		
.118	3.00		
.138	3.50		
.157	4.00		
.197	5.00		
.236	6.00		
.248	6.30		
.295	7.50		
.305	7.75		
.315	8.00		
.354	9.00		
.405	10.30		
.590	15.00		
.591	15.00		

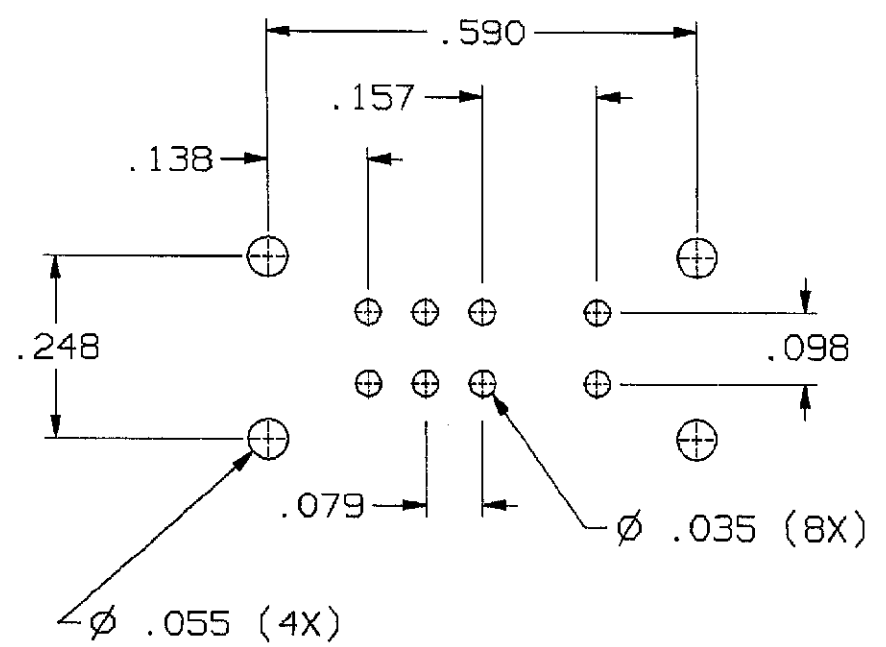


SPECIFICATIONS: UNLESS OTHERWISE SPECIFIED

- CONTACT RATING: 0.3 A @ 125 VAC.
- INITIAL CONTACT RESISTANCE: 20 MILLIOHMS MAX.
- INSULATION RESISTANCE: 100 MEGOHMS MIN. @ 500 VDC.
- DIELECTRIC STRENGTH: 500 VAC.
- MECHANICAL LIFE: 10,000 CYCLES MIN.
- OPERATING & STORAGE TEMPERATURE: -10°C TO +60°C.
- MATERIAL:
  - FIXED CONTACT-BRASS, 1 MICRON SILVER PLATE OVER NICKEL (AVG.).
  - FRAME-STEEL, TIN PLATED.
  - MOVABLE CONTACT-PHOSPHOR BRONZE, 0.5 MICRON SILVER CLAD.
  - TERMINAL BOARD-BAKELITE.
- ACTUATOR TRAVEL SHALL BE .079" PER POSITION.

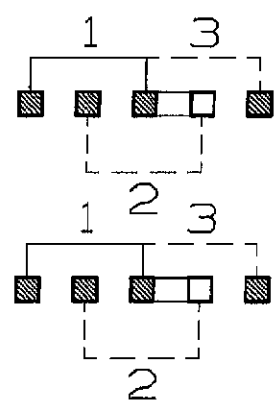


SDS2340RA0	BLACK
SDS2340RA8	GRAY
PT NUMBER	COLOR

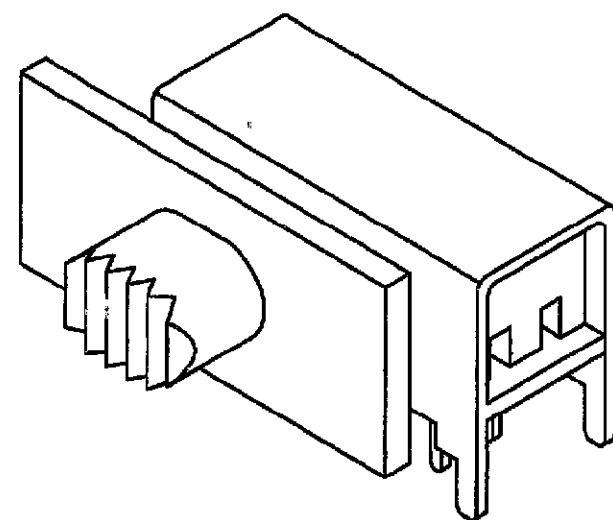


P.C.B HOLE LAYOUT

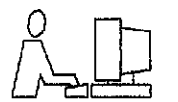
TOLERANCE FOR P.C.B. HOLE LAYOUT ±.002



SCHEMATIC



THIS IS A C.A.D. GENERATED DRAWING. DO NOT MAKE MANUAL REVISIONS TO MASTER.



REV	A	B	3	4
REVISIONS	INITIAL RELEASE ESR# 3223 TH 8-23-89 APP'D: JRB 8-24-89	REVISED ECM# 3620 CMM 2-23-90 APP'D: JRB 2-23-90	REVISED & REDRAWN ECM# 399-94 SEK 6-24-94 APP'D: M.P. 6-28-94	REVISED ECM# 717-94 L.S. 9-9-94 APP'D: MALL 9-9-94



TOLERANCES (EXCEPT AS NOTED)  
 ANGULAR = ±1°  
 DECIMAL .XX =  
 DECIMAL .XXX = ±.008  
 DECIMAL .XXXX =

AUGAT CONFIDENTIAL  
 This document contains information which is the exclusive property of Augat Inc.  
 Distribution, reproduction or use by others is not permitted without the expressed written consent of Augat Inc.

UNLESS OTHERWISE SPECIFIED DIMENSIONS ARE IN INCHES DO NOT SCALE PRINT

FILE NAME: 80918 DIRECTORY: SLD5WCH

MATERIAL: SEE NOTE 7

FINISH: SEE NOTE 7

ORIGINAL DATE OF DRAWING: 8/89

DRAWN: ER DATE: 8/89

CHECKED: TH DATE: 2/5/90

APPROVED: JRB DATE: 2/5/90

CODE IDENT. NO. 91508 DWG. SIZE C

NEXT ASSY:

**AUGAT** INC. 452 JOHN DIETSCH BLVD. ATTLEBORO FALLS, MASS. 02763

TITLE: OUTLINE SDS2340RA\* SLIDE SWITCH

DWG. NO. 80918 REV. 4

PRODUCT CODE: C16 SCALE: 4:1 SHEET 1 OF 1

CAD08092C

4

3

2

1