



Chipsmall Limited consists of a professional team with an average of over 10 year of expertise in the distribution of electronic components. Based in Hongkong, we have already established firm and mutual-benefit business relationships with customers from,Europe,America and south Asia,supplying obsolete and hard-to-find components to meet their specific needs.

With the principle of “Quality Parts,Customers Priority,Honest Operation,and Considerate Service”,our business mainly focus on the distribution of electronic components. Line cards we deal with include Microchip,ALPS,ROHM,Xilinx,Pulse,ON,Everlight and Freescale. Main products comprise IC,Modules,Potentiometer,IC Socket,Relay,Connector.Our parts cover such applications as commercial,industrial, and automotives areas.

We are looking forward to setting up business relationship with you and hope to provide you with the best service and solution. Let us make a better world for our industry!



Contact us

Tel: +86-755-8981 8866 Fax: +86-755-8427 6832

Email & Skype: info@chipsmall.com Web: www.chipsmall.com

Address: A1208, Overseas Decoration Building, #122 Zhenhua RD., Futian, Shenzhen, China



SE-CS10 SERIES

Current Sensor

CE



Description

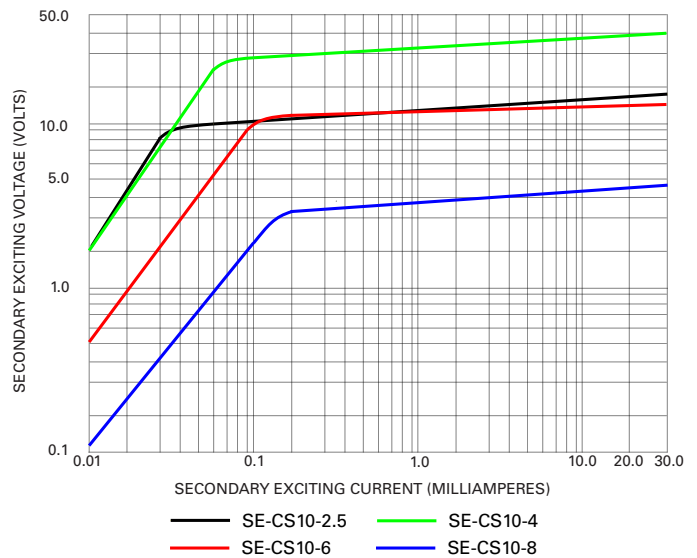
The SE-CS10 series is a current transformer used with Littelfuse relays to detect earth leakage current.

Specifications

Turns Ratio	200:1
Current Rating	12.5:0.0625 A
Accuracy	1%
Frequency	50-400 Hz
Insulation Level	600 V, 10 kV BIL full wave
Operating Temperature	-40 to 60°C (-40 to 140°F)
Application	SE-134C, SE-135, SE-145, SE-330
Certification	CE
Compliance	IEC 60044-1

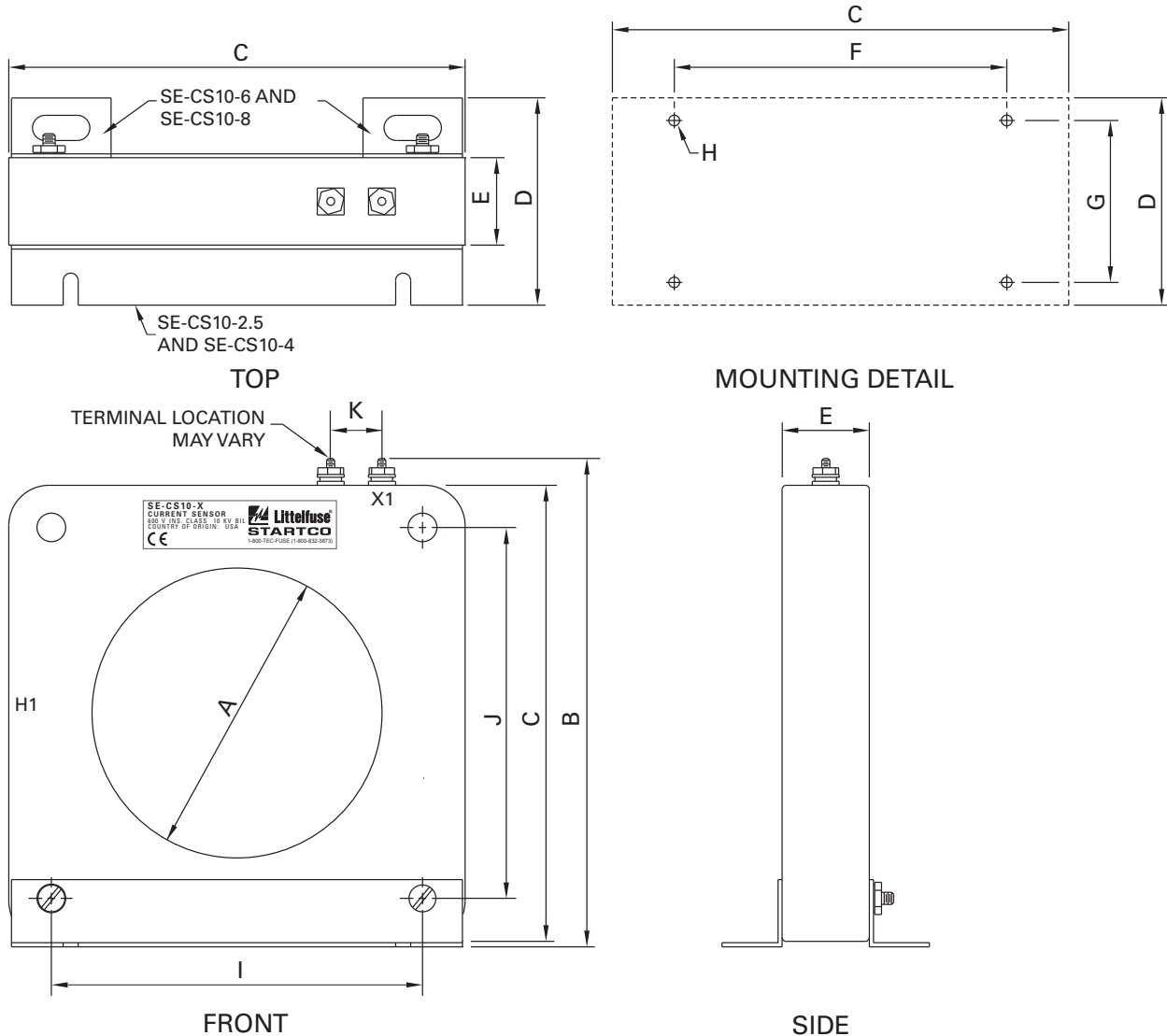
Ordering Information

ORDERING NUMBER	WINDOW SIZE, ID	VA RATING	WEIGHT
SE-CS10-2.5	63.5 mm (2.5")	35	0.5 kg (1 lb)
SE-CS10-4	108.0 mm (4.25")	50	1.8 kg (4 lb)
SE-CS10-6	160.3 mm (6.3")	25	2.3 kg (5 lb)
SE-CS10-8	209.5 mm (8.25")	25	3.6 kg (8 lb)



SE-CS10 SERIES

Dimensions and Mounting Diagram



NOTES:

1. DIMENSIONS IN MILLIMETRES (INCHES).
2. RoHS COMPLIANCE PENDING.
3. EN 60044-1 COMPLIANT.

PART NUMBER	DIMENSIONS							MOUNTING SCREW H	DIMENSIONS		
	A	B	C	D	E	F	G		I	J	K
SE-CS10-2.5	63.5 (2.50)	135.1 (5.32)	124.0 (4.88)	72.6 (2.86)	27.9 (1.10)	69.9 (2.75)	54.4 (2.14)	M4 (8-32)	88.9 (3.50)	N/A	83.3 (3.28)
SE-CS10-4	108.0 (4.25)	184.0 (7.24)	169.9 (6.69)	77.2 (3.04)	32.5 (1.28)	123.7 (4.87)	60.5 (2.38)	M4 (8-32)	138.2 (5.44)	138.2 (5.44)	19.0 (0.75)
SE-CS10-6	160.3 (6.31)	229.0 (9.00)	215.9 (8.50)	101.6 (4.00)	31.8 (1.25)	165.0 (6.50)	73.2 (2.88)	M10 (0.375)	171.5 (6.75)	171.5 (6.75)	19.0 (0.75)
SE-CS10-8	209.5 (8.25)	279.4 (11.00)	266.7 (10.50)	108.7 (4.28)	38.9 (1.53)	225.0 (8.86)	80.0 (3.15)	M10 (0.375)	200.7 (7.90)	200.7 (7.90)	19.0 (0.75)