



Chipsmall Limited consists of a professional team with an average of over 10 year of expertise in the distribution of electronic components. Based in Hongkong, we have already established firm and mutual-benefit business relationships with customers from,Europe,America and south Asia,supplying obsolete and hard-to-find components to meet their specific needs.

With the principle of "Quality Parts,Customers Priority,Honest Operation,and Considerate Service",our business mainly focus on the distribution of electronic components. Line cards we deal with include Microchip,ALPS,ROHM,Xilinx,Pulse,ON,Everlight and Freescale. Main products comprise IC,Modules,Potentiometer,IC Socket,Relay,Connector.Our parts cover such applications as commercial,industrial, and automotives areas.

We are looking forward to setting up business relationship with you and hope to provide you with the best service and solution. Let us make a better world for our industry!



Contact us

Tel: +86-755-8981 8866 Fax: +86-755-8427 6832

Email & Skype: info@chipsmall.com Web: www.chipsmall.com

Address: A1208, Overseas Decoration Building, #122 Zhenhua RD., Futian, Shenzhen, China



SE-CS30 SERIES

Current Sensor



Description

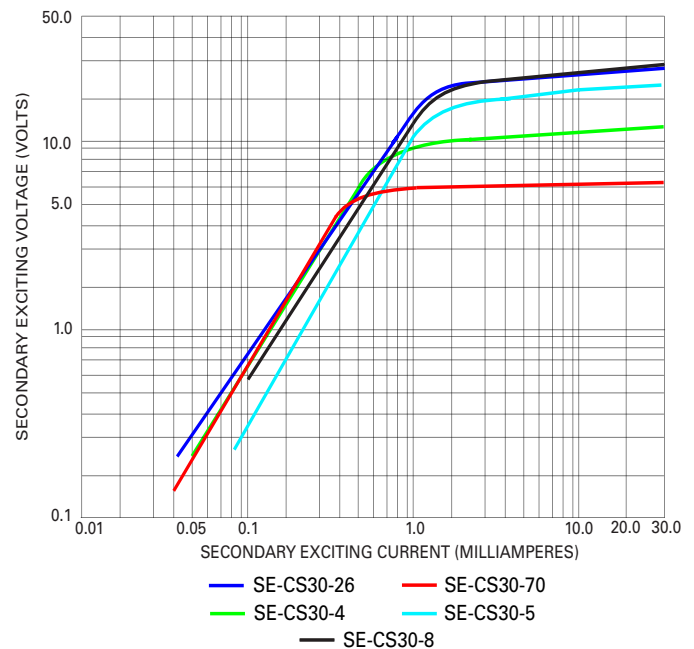
The SE-CS30 series is a sensitive nickel-core current transformer used with Littelfuse relays to detect low levels of earth-leakage current.

Specifications

Turns Ratio	600:1
Current Rating	30:0.05 A
Accuracy	3% @ 0.06 VA
Frequency	50-400 Hz
Insulation Level	600 V
Operating Temperature	-55 to 60°C (-67 to 140°F)
Application	FPU-32, FPS, MPU-32, MPS, PGR-6100, PGR-6101, SE-330, SE-701, SE-704
Certification	CSA, UL, CE
Compliance	RoHS, IEC 60044-1

Ordering Information

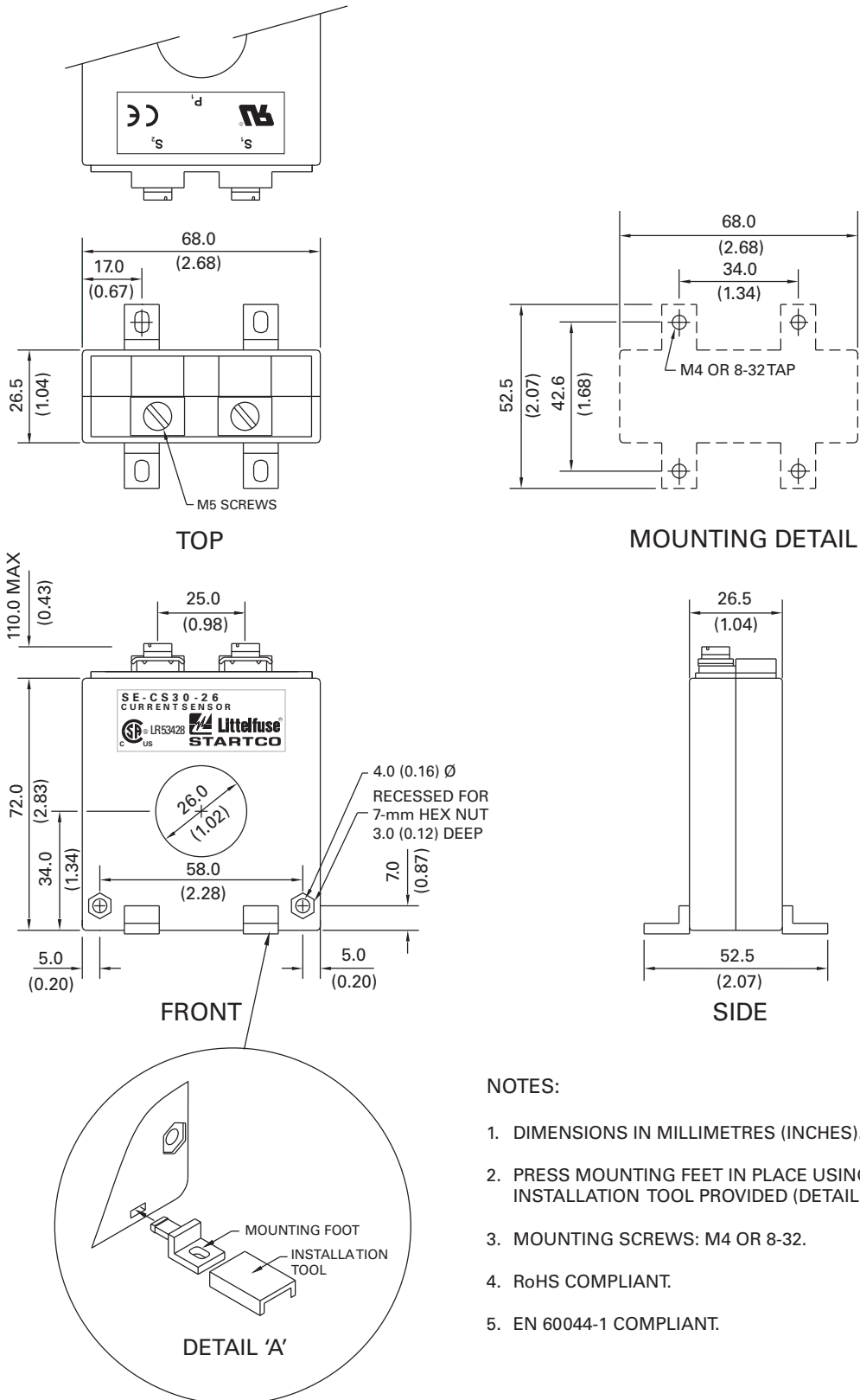
ORDERING NUMBER	WINDOW SIZE, ID	WEIGHT
SE-CS30-26	26 mm (1.0")	0.5 kg (1.0 lb)
SE-CS30-70	70 mm (2.8")	1.2 kg (2.5 lb)
SE-CS30-4	95 mm (3.7")	1.3 kg (3.0 lb)
SE-CS30-5	140 mm (5.5")	2.1 kg (4.6 lb)
SE-CS30-8	200 mm (7.9")	4.3 kg (9.4 lb)



SE-CS30 SERIES

Dimensions and Mounting Diagram

SE-CS30-26



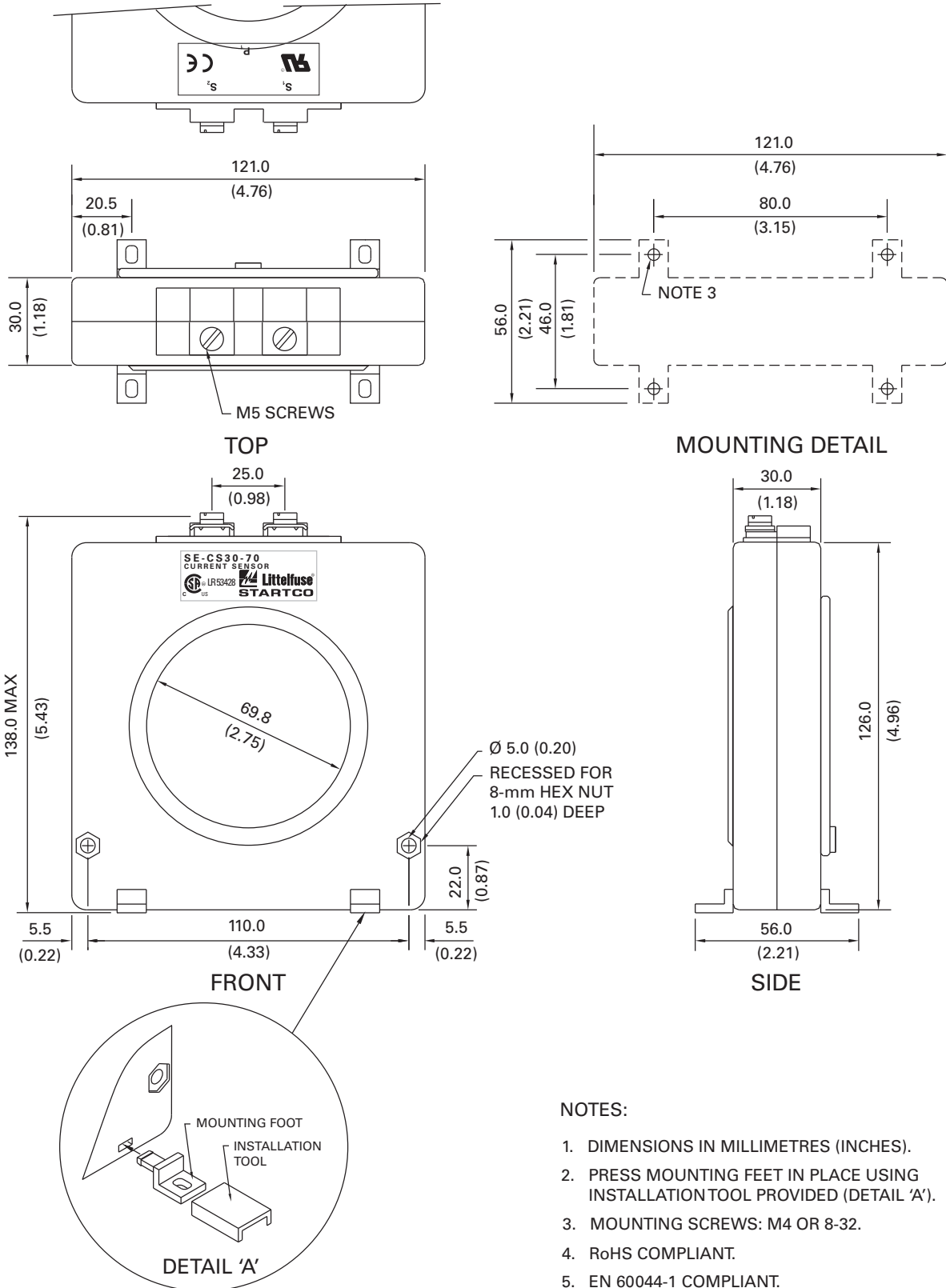
NOTES:

1. DIMENSIONS IN MILLIMETRES (INCHES).
2. PRESS MOUNTING FEET IN PLACE USING INSTALLATION TOOL PROVIDED (DETAIL 'A').
3. MOUNTING SCREWS: M4 OR 8-32.
4. RoHS COMPLIANT.
5. EN 60044-1 COMPLIANT.

SE-CS30 SERIES

Dimensions and Mounting Diagram

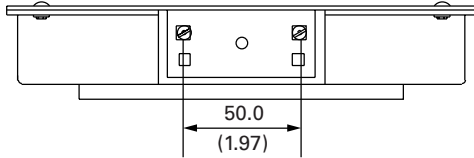
SE-CS30-70



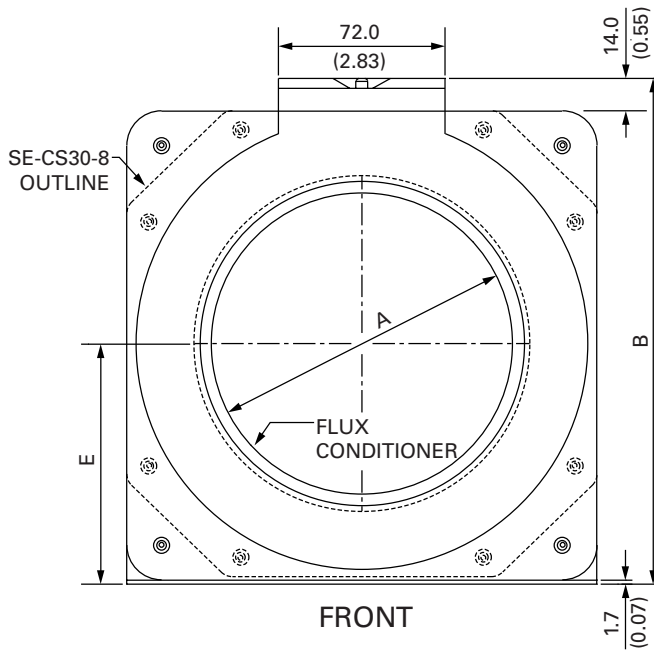
SE-CS30 SERIES

Dimensions and Mounting Diagram

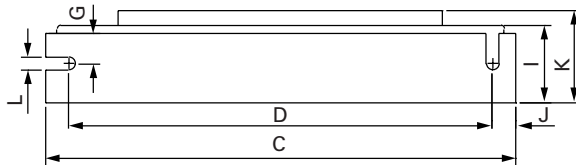
SE-CS30-4, SE-CS30-5, and SE-CS30-8



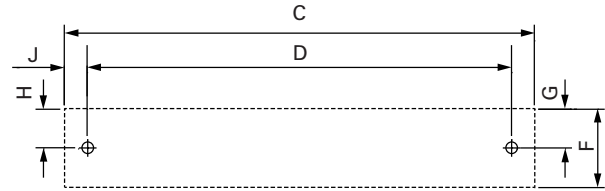
TOP (COVER REMOVED)



FRONT



BOTTOM



MOUNTING DETAIL

NOTES:

1. DIMENSIONS IN MILLIMETRES (INCHES).
2. MOUNTING SCREWS: M5 OR 10-32.
3. RoHS COMPLIANT.
4. CE COMPLIANT.

	DIMENSIONS		
	SE-CS30-4	SE-CS30-5	SE-CS30-8
A	95.0 (3.74)	130.0 (5.12)	200.0 (7.87)
B	175.0 (6.89)	218.0 (8.78)	309.0 (12.17)
C	158.0 (6.22)	203.0 (7.99)	290.5 (11.44)
D	141.0 (5.55)	178.0 (7.01)	267.5 (10.50)
E	82.0 (3.22)	103.5 (4.07)	150.0 (5.90)
F	32.0 (1.26)	32.0 (1.26)	34.0 (1.34)
G	17.5 (0.69)	11.0 (0.43)	11.0 (0.43)
H	15.0 (0.59)	13.3 (0.52)	13.3 (0.52)
I	33.0 (1.30)	34.0 (1.34)	43.0 (1.69)
J	9.0 (0.35)	11.0 (0.43)	11.5 (0.45)
K	40.0 (1.57)	40.0 (1.57)	50.0 (1.97)
L	5.3 (0.21)	7.0 (0.28)	7.0 (0.28)