



Chipsmall Limited consists of a professional team with an average of over 10 year of expertise in the distribution of electronic components. Based in Hongkong, we have already established firm and mutual-benefit business relationships with customers from,Europe,America and south Asia,supplying obsolete and hard-to-find components to meet their specific needs.

With the principle of “Quality Parts,Customers Priority,Honest Operation,and Considerate Service”,our business mainly focus on the distribution of electronic components. Line cards we deal with include Microchip,ALPS,ROHM,Xilinx,Pulse,ON,Everlight and Freescale. Main products comprise IC,Modules,Potentiometer,IC Socket,Relay,Connector.Our parts cover such applications as commercial,industrial, and automotives areas.

We are looking forward to setting up business relationship with you and hope to provide you with the best service and solution. Let us make a better world for our industry!



## Contact us

Tel: +86-755-8981 8866 Fax: +86-755-8427 6832

Email & Skype: info@chipsmall.com Web: www.chipsmall.com

Address: A1208, Overseas Decoration Building, #122 Zhenhua RD., Futian, Shenzhen, China





ELECTRONICS & TECHNOLOGY, INC.

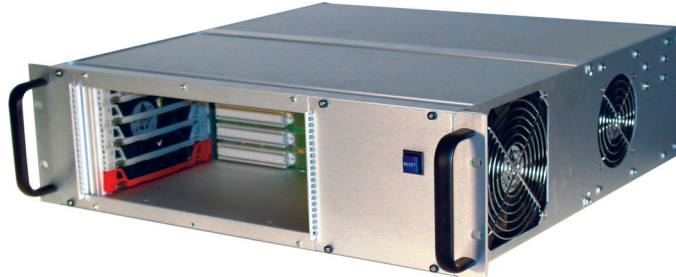
# VectorPak™ Chassis / System Enclosures

## VME / cPCI

Chassis

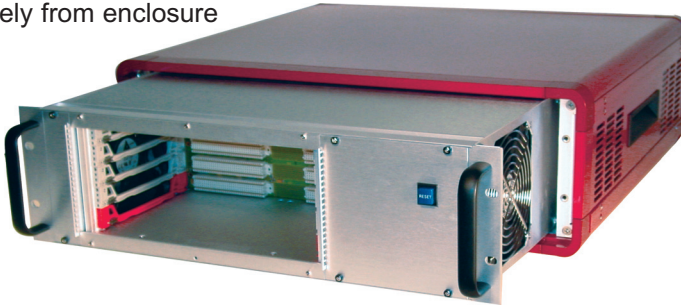


Model 710 Two Piece (Subrack, Enclosure) shown with 5 Slot backplane and lighted System Reset



Model 720 Removable Internal Subrack

Model 710: Subrack removes completely from enclosure

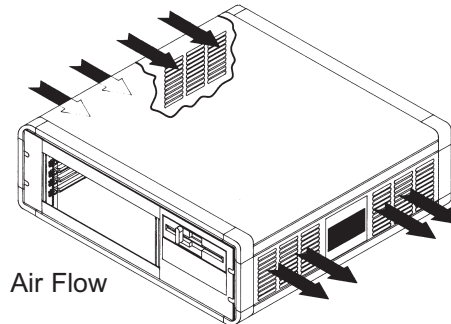


### Series 710 / 720 6U Horizontal Cards

19.0" internal subrack slides in/out on metal tracks for maximum accessibility. Subrack assembly includes backplane, power supply and fans; it may be rack mounted separately (Model 720). Horizontal cards and space for up to three 3.5" drive bays. Two rear I/O ports, many power options (Page 9)



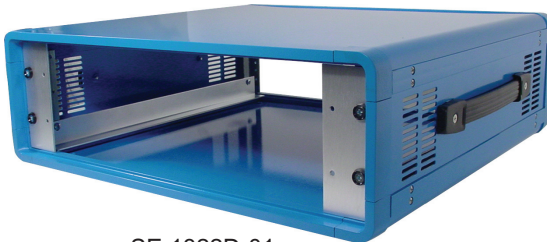
Rear View showing 2 slot rear I/O



Air Flow

### Attractive & Extremely Rugged Benchtop/Desktop Outer Enclosures

VectorPak™ outer enclosures are available in many standard sizes and colors. They are designed to house standard 19"W or similar rack devices including VectorPak™ subracks and fan trays. They were developed for rugged military applications and are constructed of formed sheet and extruded aluminum. Protective rubber feet and rack mount hardware included. Recessed pocket or strap handles.



SE 1322D-01



SE 1588  
4U for 8.4"W Subrack

SE 1322 3U x 21.80"D for 19"W Subrack

Rack Unit Part Number	Height		Width		Depth		Internal Size
	Inside Dim.	Outside Dim.	Inside Dim.	Outside Dim.	Inside Dim.	Outside Dim.	
SE132216	5.280"	6.410"	17.790"	20.220"	14.400"	16.060"	3U X 19" W X 14.4"D
SE1322	5.280"	6.410"	17.790"	20.220"	17.400"	19.060"	3U X 19" W X 17.4"D
SE1422	5.280"	6.410"	17.790"	20.220"	12.400"	14.060"	3U X 19" W X 12.4"D
SE1522	7.030"	8.160"	17.790"	20.220"	21.890"	23.550"	4U X 19" W X 21.9"D
SE162216	10.530"	11.660"	17.790"	20.220"	14.400"	16.060"	6U X 19" W X 14.4"D
SE1722	12.280"	13.410"	17.790"	20.220"	21.940"	23.600"	7U X 19" W X 21.9"D

