



Chipsmall Limited consists of a professional team with an average of over 10 year of expertise in the distribution of electronic components. Based in Hongkong, we have already established firm and mutual-benefit business relationships with customers from,Europe,America and south Asia,supplying obsolete and hard-to-find components to meet their specific needs.

With the principle of “Quality Parts,Customers Priority,Honest Operation,and Considerate Service”,our business mainly focus on the distribution of electronic components. Line cards we deal with include Microchip,ALPS,ROHM,Xilinx,Pulse,ON,Everlight and Freescale. Main products comprise IC,Modules,Potentiometer,IC Socket,Relay,Connector.Our parts cover such applications as commercial,industrial, and automotives areas.

We are looking forward to setting up business relationship with you and hope to provide you with the best service and solution. Let us make a better world for our industry!



Contact us

Tel: +86-755-8981 8866 Fax: +86-755-8427 6832

Email & Skype: info@chipsmall.com Web: www.chipsmall.com

Address: A1208, Overseas Decoration Building, #122 Zhenhua RD., Futian, Shenzhen, China

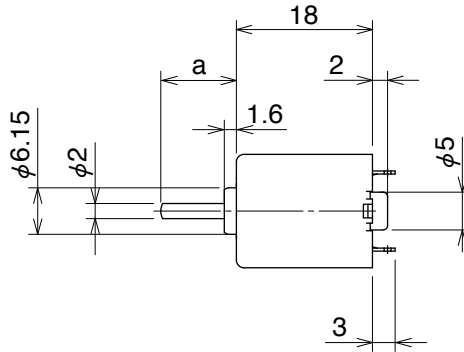
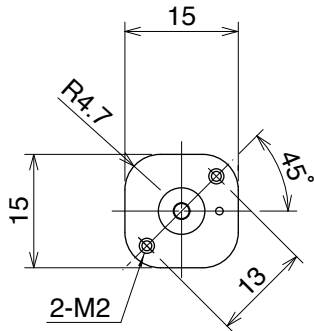




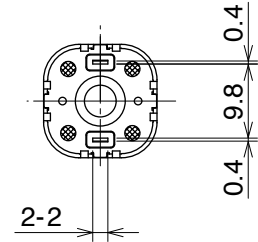
SE15H

■ モータ外觀寸法 External Dimensions

Weight:13.3g



a=14.8mm



Unit:mm

■ 参考特性 Reference Characteristics

型式 Model	電圧 Voltage		無負荷 No Load		定格負荷 Rated Load		定格負荷 Rated Load		起動トルク Starting Torque		起動電流 Starting Current
	駆動電圧 Operating	定格電圧 Rated	回転数 Speed	電流 Current	定格負荷 Rated Load		回転数 Speed	電流 Current	起動トルク Starting Torque		
	(V)	(V)	(min ⁻¹)	(mA)	(gf·cm)	(mN·m)	(min ⁻¹)	(mA)	(gf·cm)	(mN·m)	
SE15H0RTY	8 to 13	12.0	5315	40	15.3	1.5	3916	118	58.2	5.7	335
SE15H0WTY	8 to 13	12.0	9900	80	20.4	2.0	8067	267	110.2	10.8	1090

■ トルク特性 Torque Characteristics

