



Chipsmall Limited consists of a professional team with an average of over 10 year of expertise in the distribution of electronic components. Based in Hongkong, we have already established firm and mutual-benefit business relationships with customers from,Europe,America and south Asia,supplying obsolete and hard-to-find components to meet their specific needs.

With the principle of “Quality Parts,Customers Priority,Honest Operation,and Considerate Service”,our business mainly focus on the distribution of electronic components. Line cards we deal with include Microchip,ALPS,ROHM,Xilinx,Pulse,ON,Everlight and Freescale. Main products comprise IC,Modules,Potentiometer,IC Socket,Relay,Connector.Our parts cover such applications as commercial,industrial, and automotives areas.

We are looking forward to setting up business relationship with you and hope to provide you with the best service and solution. Let us make a better world for our industry!



## Contact us

Tel: +86-755-8981 8866 Fax: +86-755-8427 6832

Email & Skype: info@chipsmall.com Web: www.chipsmall.com

Address: A1208, Overseas Decoration Building, #122 Zhenhua RD., Futian, Shenzhen, China



**DATA SHEET**  
**SE2436L: High Power 2.4 GHz 802.15.4 Front End Module**

**Applications**

- Smart Meters
- In-home appliances
- Smart thermostats

**Features**

- Integrated PA with 27 dBm output power
- Integrated LNA with programmable bypass
- Integrated antenna switching with Tx and Rx diversity function
- Low FEM noise figure of 2.5 dB typical
- Differential 100 Ω common Tx/Rx RF interface
- Fast switch ON/OFF time <1 μsec
- 2.0 V – 4.8 V supply operation
- Sleep mode current <1 μA
- 4 x 4 x 0.9 mm 24 pin QFN
- Pb-free, RoHS compliant and Halogen free

**Product Description**

The SE2436L is a high performance, fully integrated RF Front End Module designed for ZigBee/Smart Energy and 802.15.4 applications requiring high transmit power.

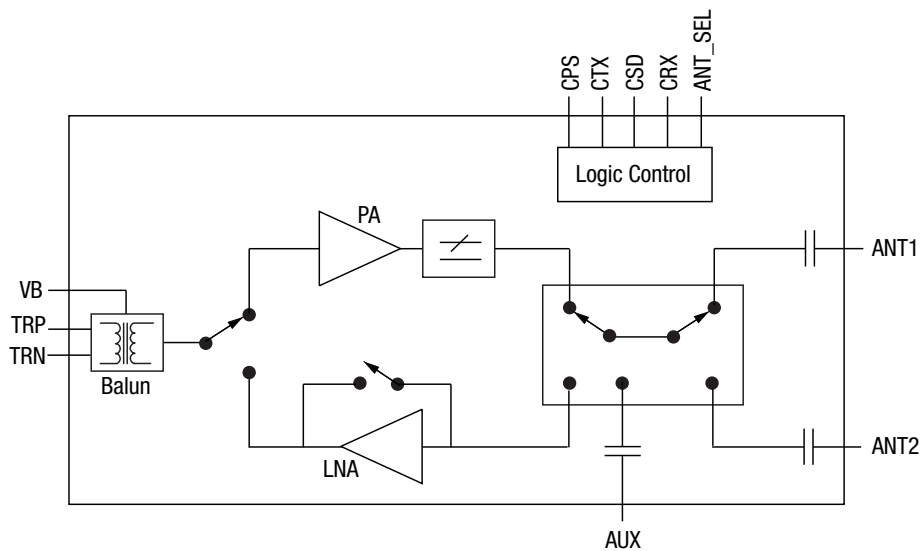
The SE2436L is designed for ease of use and maximum flexibility, with fully matched 50 Ω output, and 100 Ω differential input, integrated inter-stage matching and harmonic filter, and digital controls compatible with 1.6 – 3.6 V CMOS levels.

The RF blocks operate over a wide supply voltage range from 2.0 to 4.8V allowing the SE2436L to be used in battery powered applications over a wide spectrum of the battery discharge curve.

**Ordering Information**

Part No.	Package	Remark
SE2436L-S	24 pin QFN	Samples
SE2436L-R	24 pin QFN	Tape & Reel
SE2436L-EK1	N/A	Evaluation kit

**Functional Block Diagram**

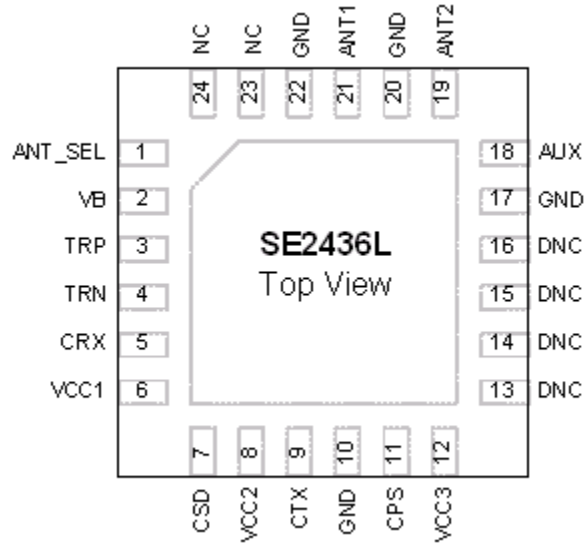


K071

**Figure 1: Functional Block Diagram**

**DATA SHEET**  
**SE2436L: High Power 2.4 GHz 802.15.4 Front End Module**

**Pin Out Diagram**



**Figure 2: SE2436L Pinout**

**Pin Out Description**

Pin No.	Name	Description
1	ANT_SEL	Connect to GPIO signal to control antenna switch (see “Logic controls” table)
2	VB	I/O balun DC connection (optional, please refer to SoC or RFIC requirements)
3	TRP	Transmit/Receive port from/to transceiver, 100 Ω differential
4	TRN	Transmit/Receive port from/to transceiver, 100 Ω differential
5	CRX	Connect to GPIO signal to control SE2436L modes (see “Logic controls” table)
6	VCC1	Connect to positive supply
7	CSD	Connect to GPIO signal to control SE2436L modes (see “Logic controls” table)
8	VCC2	Connect to positive supply
9	CTX	Connect to GPIO signal to control SE2436L modes (see “Logic controls” table)
10	GND	Connect to PCB ground
11	CPS	Connect to GPIO signal to control SE2436L modes (see “Logic controls” table)
12	VCC3	Connect to positive supply
13	DNC	Leave unconnected
14	DNC	Leave unconnected
15	DNC	Leave unconnected
16	DNC	Leave unconnected

**DATA SHEET**  
**SE2436L: High Power 2.4 GHz 802.15.4 Front End Module**

Pin No.	Name	Description
17	GND	Connect to PCB ground
18	AUX	Auxiliary I/O port
19	ANT2	Connect to 50 $\Omega$ antenna
20	GND	Connect to PCB ground
21	ANT1	Connect to 50 $\Omega$ antenna
22	GND	Connect to PCB ground
23	NC	Not internally connected
24	NC	Not internally connected
Paddle	GND	Exposed die paddle; electrical and thermal ground; Connect to PCB ground

**DATA SHEET**  
**SE2436L: High Power 2.4 GHz 802.15.4 Front End Module**
**Absolute Maximum Ratings**

These are stress ratings only. Exposure to stresses beyond these maximum ratings may cause permanent damage to, or affect the reliability of the device. Avoid operating the device outside the recommended operating conditions defined below. This device is ESD sensitive. Handling and assembly of this device should be at ESD protected workstations.

Symbol	Definition	Min.	Max.	Unit
VCC	Supply Voltage	-0.3	4.8	V
T <sub>OP</sub>	Operating temperature	-40	85	°C
T <sub>STORAGE</sub>	Storage temperature	-40	125	°C
	ESD all pins (HBM)	-	1000	V
Pin_Tx_max	Tx input power at TR port	-	+6	dBm
Pin_Rx_max	Rx input power at ANT1 or ANT2 ports	-	+10	dBm
VSWR	Voltage Standing Wave Ratio		10:1	

**Recommended Operating Conditions**

Symbol	Parameter	Min.	Typ.	Max.	Unit
T <sub>A</sub>	Ambient temperature	-40	25	85	°C
	Current drive capability from VB_IN to TRN and TRP ports			30	mA
VCC	Supply voltage on VCC	2.0	4.0	4.8	V
	Logic input voltages	0	-	3.6	V

**DC Electrical Characteristics**

Conditions: VCC = 4.0 V, T<sub>A</sub> = 25 °C, as measured on Skyworks Solutions's SE2436L-EK1 evaluation board (de-embedded to device), unless otherwise noted

Symbol	Parameter	Conditions	Min.	Typ.	Max.	Unit
I <sub>CC-Tx27</sub>	Total Supply Current	Tx mode P <sub>OUT</sub> = 27 dBm CPS = CSD = CTX = Logic '1'	-	400	-	mA
I <sub>CQ-Tx</sub>	Quiescent Current	No RF CPS = CSD = CTX = Logic '1'	-	80	-	mA
I <sub>CC-Rx</sub>	Total Supply Current	Rx mode CRX = CPS = CSD = Logic '1', CTX = 0 V	-	5	7	mA
I <sub>CC-RxBypass</sub>	Total Supply Current	Rx bypass mode CRX = CSD = Logic '1', CPS = CTX = 0 V	-	-	300	uA

**DATA SHEET**  
**SE2436L: High Power 2.4 GHz 802.15.4 Front End Module**

Symbol	Parameter	Conditions	Min.	Typ.	Max.	Unit
I <sub>CC_OFF</sub>	Sleep Supply Current	No RF, CSD = 0 V or CRX = CTX = 0 V, all digital controls at 0 V	-	-	1	μA

**Logic Characteristics**

Conditions: VCC = 4.0 V, T<sub>A</sub> = 25 °C, as measured on Skyworks Solutions' SE2436L-EK1 evaluation board (de-embedded to device), unless otherwise noted.

Symbol	Parameter	Note	Min.	Typ.	Max.	Unit
V <sub>IH</sub>	Logic input high		1.6	-	3.6	V
V <sub>IL</sub>	Logic input low		0	-	0.3	V
I <sub>IH</sub>	Logic input high		-	-	2	μA
I <sub>IL</sub>	Logic input low		-	-	1	μA

**Logic Controls**

Conditions: VCC = 4.0 V, T<sub>A</sub> = 25 °C

Mode	Mode description	Note	CPS	CSD	CRX	CTX
0	All off (sleep mode)	1, 3	0	0	0	0
0	All off (sleep mode)	1, 2, 3	0	1	0	0
1	Rx bypass mode	1, 2	0	1	1	0
2	Rx mode	1, 2	1	1	1	0
3	TX bypass mode	1,2	0	1	0	1
4	Tx mode	1, 2	1	1	0	1
5	Auxiliary mode	1,2	1	0	1	X

- Note:**
- (1) Logic '0' level compliant to V<sub>IL</sub> as specified in the "Logic Characteristics" table
  - (2) Logic '1' level compliant to V<sub>IH</sub> as specified in the "Logic Characteristics" table
  - (3) All logic signals must be in a defined state in order to meet the sleep current specification at 1 uA max

Conditions: VCC = 4.0 V, T<sub>A</sub> = 25 °C

Mode description	Note	CPS	CSD	CTX	CRX	ANT_SEL
ANT1 port enabled	1	X	X	X	X	0
ANT2 port enabled	2	X	X	X	X	1

- Note:**
- (1) Logic '0' level compliant to V<sub>IL</sub> as specified in the "Logic Characteristics" table
  - (2) Logic '1' level compliant to V<sub>IH</sub> as specified in the "Logic Characteristics" table

**DATA SHEET**  
**SE2436L: High Power 2.4 GHz 802.15.4 Front End Module**

**AC Electrical Characteristics, Transmit**

Conditions: VCC = 4.0 V, TA = 25 °C, as measured on Skyworks Solutions' SE2436L-EK1 evaluation board (de-embedded to device), all unused ports terminated with 50 Ω, unless otherwise noted.

Symbol	Parameter	Condition	Note	Min.	Typ.	Max.	Unit
F <sub>IN</sub>	Frequency Range			2400	-	2483	MHz
P <sub>out</sub>	Output power at ANT1 or ANT2 ports	VCC = 4.0 V VCC = 3.3 V VCC = 3.0 V	1	-	27 25 22	-	dBm
S <sub>21</sub>	Small Signal Gain		1	27	30	33	dB
ΔS <sub>21</sub>	Small Signal Gain Variation		1	-	-	2	dBp-p
S <sub>21byp</sub>	Small Signal Gain bypass		1	-	-2.5	-	dB
Tx_G	Large Signal Gain Variation	Pin at 0 dBm	1	-	-	1	dBp-p
HD2-HD10	Harmonics	P <sub>OUT</sub> = 27 dBm	1, 2	-	-	-42	dBm/MHz
ACP	Spectral Mask		1, 3	-	-	-30	dBm
Trise	Turn on time		4	-	-	800	ns
Tfall	Turn off time		5	-	-	800	ns
STAB	Stability	CW, P <sub>IN</sub> = 0 dBm 0.1 GHz – 20 GHz Load VSWR = 6:1		All non-harmonically related outputs less than -42 dBm/MHz			
RU	Ruggedness	CW, P <sub>IN</sub> = +6 dBm, Load VSWR = 10:1		No permanent damage			

- Note:**
- (1) 2400 – 2483 MHz
  - (2) IEEE 802.15.4 source
  - (3) Integrated power from band edges to Fc ± 3.5 MHz
  - (4) From 50% of CTX edge to 90% of final RF output power
  - (5) From 50% of CTX edge to 10% of final RF output power

**DATA SHEET**  
**SE2436L: High Power 2.4 GHz 802.15.4 Front End Module**

**AC Electrical Characteristics, Receive**

Conditions: VCC = 4.0 V, TA = 25 °C, as measured on Skyworks Solutions' SE2436L-EK1 evaluation board (de-embedded to device), all unused ports terminated with 50 Ω, unless otherwise noted.

Symbol	Parameter	Condition	Note	Min.	Typ.	Max.	Unit
F <sub>IN</sub>	Frequency Range			2400	-	2483	MHz
Rx_gain	Receive gain	CPS = CSD = logic '1', CTX = logic '0'	1	9.0	11.5	14	dB
NF	Receive noise figure	CPS = CSD = logic '1', CTX = logic '0'	1	-	2.5	3.5	dB
IIP3	Input 3 <sup>rd</sup> order intercept	CPS = CSD = logic '1', CTX = logic '0'	1	-3	2	-	dBm
IP1dB	Input 1-dB compression point	CPS = CSD = logic '1', CTX = logic '0'	1	-13	-8	-	dBm
S11 <sub>ANT</sub>	Antenna port return loss		1	-	-14	-10	dB
Trise	Turn on time		2	-	-	800	ns
Tfall	Turn off time		3	-	-	800	ns
G_bp	Gain in bypass mode	CPS = CTX = logic '0', CSD = logic '1'		-	-3	-	dB
IP1dB	Input 1-dB compression point in bypass mode	CPS = CTX = logic '0', CSD = logic '1'		19	-	-	dBm

- Note:** (1) 2400 – 2483 MHz  
(2) From 50% of CTX edge to 90% of final RF output power  
(3) From 50% of CTX edge to 10% of final RF output power

**AC Electrical Characteristics, Diversity Antenna Function**

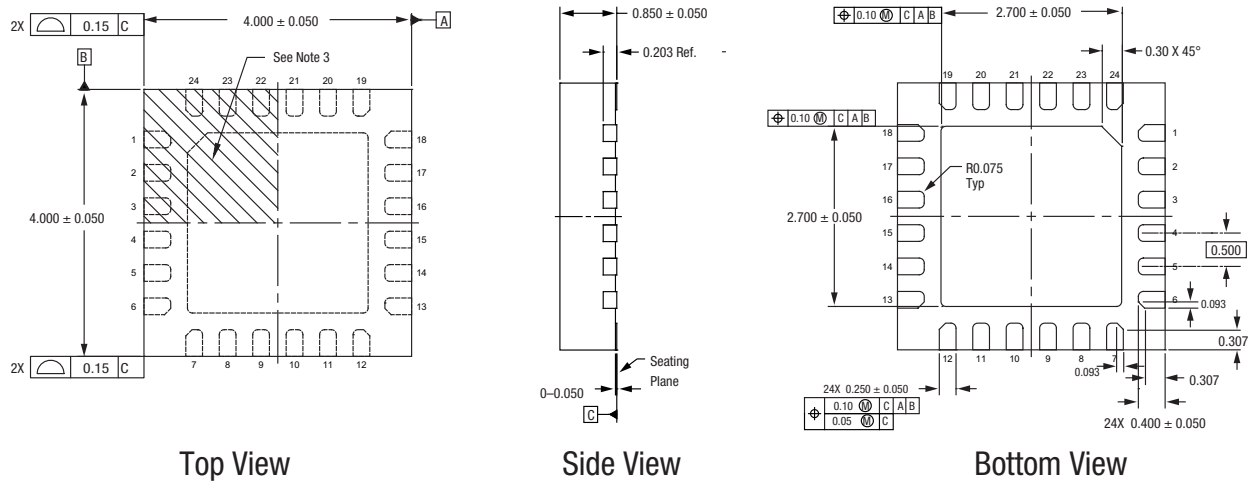
Conditions: VCC = 4.0 V, TA = 25 °C, as measured on Skyworks Solutions' SE2436L-EK1 evaluation board (de-embedded to device), all unused ports terminated with 50 Ω, unless otherwise noted.

Symbol	Parameter	Min.	Typ.	Max.	Unit
ISOL <sub>ANTSW</sub>	Isolation Between ANT1 and ANT2 Ports	-	-20	-	dB
S11 <sub>ANT1,2</sub>	Input return loss into 50 Ω, ANT1 and ANT2 ports	-	-14	-6	dB
S22 <sub>ANT1,2</sub>	Output return loss into 50 Ω, ANT1 and ANT2 ports	-	-14	-6	dB
T <sub>ANT1-ANT2</sub>	Antenna 1 to Antenna 2 switching time	-	800	-	nsec



**DATA SHEET**  
**SE2436L: High Power 2.4 GHz 802.15.4 Front End Module**

**Package Drawing**



**Notes:**

1. All measurements are in millimeters.
2. Dimensions and tolerances according to ASME Y14.5M-1994.  
 Unless otherwise specified, the following values apply:  
 Decimal Tolerance:      Angular Tolerance:  
 X.X (1 place) ± 0.1 mm                      ±1°  
 X.XX (2 places) ± 0.05 mm  
 X.XXX (3 places) ± 0.025 mm
3. Terminal #1 identification mark located within marked area.
4. Unless specified, dimensions are symmetrical about center lines.

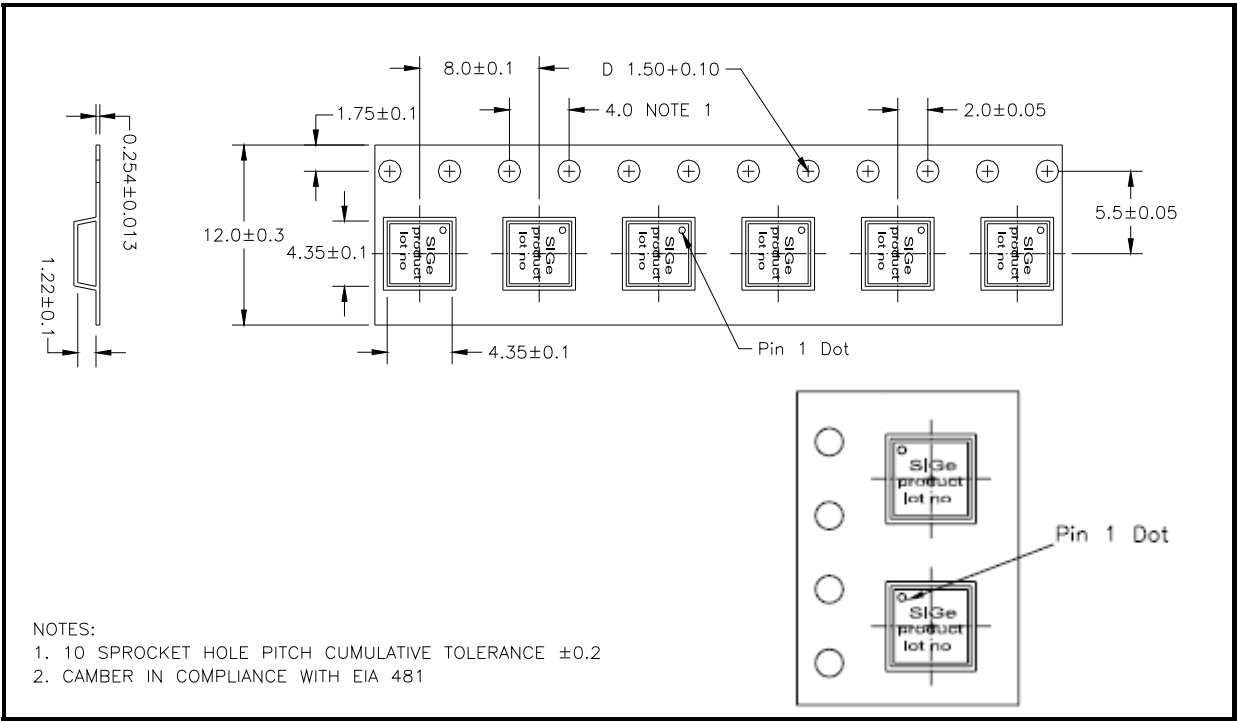
Y0676

**Figure 3: Package Drawing**

**DATA SHEET**  
**SE2436L: High Power 2.4 GHz 802.15.4 Front End Module**

**Tape and Reel Information**

Parameter	Value
Devices Per Reel	3000
Reel Diameter	13 inches
Tape Width	12 millimeters



**Figure 4: Detailed Tape and Reel Information (All diminsions in Millimeters)**

**DATA SHEET**  
**SE2436L: High Power 2.4 GHz 802.15.4 Front End Module**
**Recommended Reflow Temperature Profile**

Profile Feature	SnPb Eutectic Assembly	Lead (Pb) Free Assembly
Average Ramp-up Rate ( $T_L$ to $T_P$ )	3°C/s (max)	3°C/s (max)
<b>Preheat</b>		
Temperature Min. ( $T_{smin}$ )	100°C	150°C
Temperature Max. ( $T_{smax}$ )	150°C	200°C
Time (Min. to Max) ( $t_s$ )	60 - 120s	60 - 80s
<b>Ramp Up</b>		
$T_{smax}$ to $t_L$	-	3°C/s (max)
Time 25°C to Peak Temperature	6 mins. (max)	8 mins. (max)
<b>Reflow</b>		
Temperature ( $t_L$ )	183°C	217°C
Time maintained above $t_L$	60 - 150s	60 - 150s
Peak Temperature ( $t_p$ )	240 ±5°C	260 +0/-5°C
Time Within 5°C of Actual Peak Temperature ( $t_p$ )	10 - 30s	20 - 40s
<b>Ramp-Down</b>		
Ramp-Down Rate	6°C/s (max)	6°C/s (max)



DATA SHEET  
SE2436L: High Power 2.4 GHz 802.15.4 Front End Module

Reflow Profile (Reference JEDEC J-STD-020)

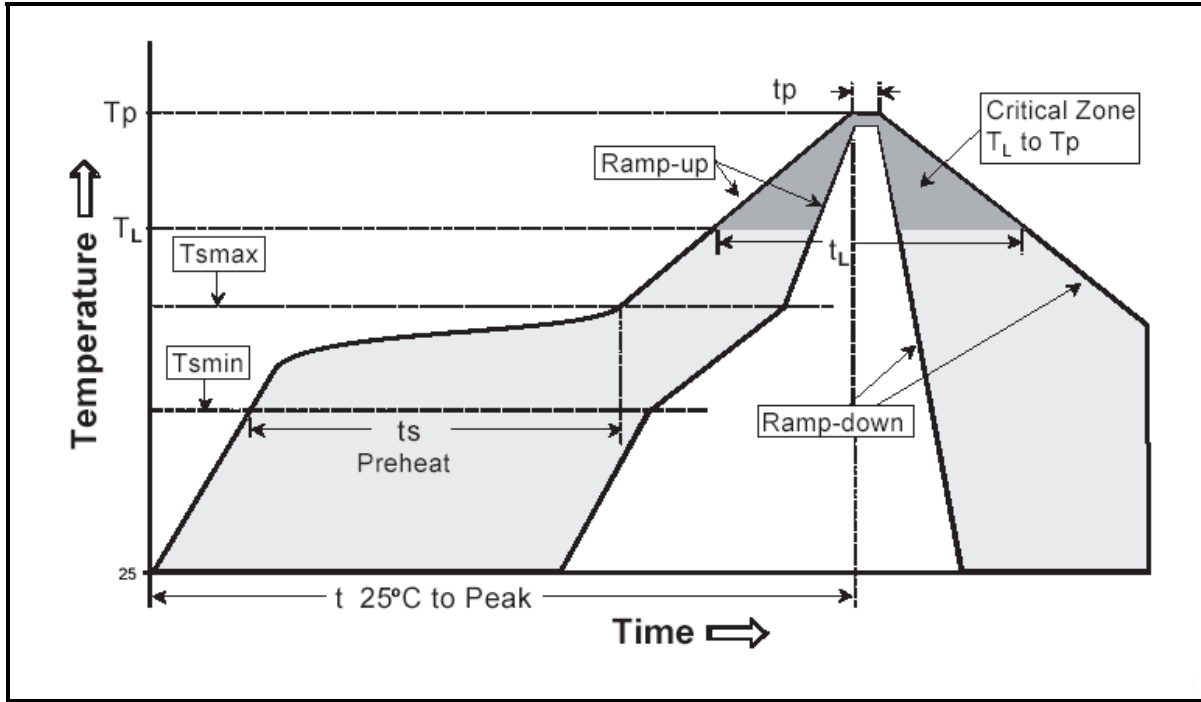
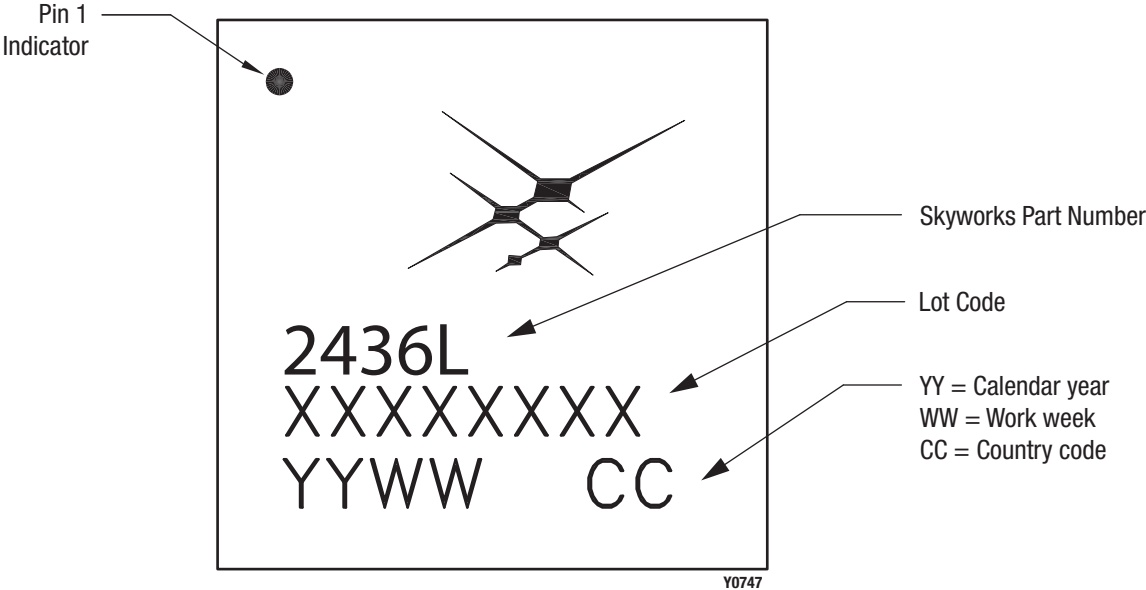


Figure 5: Reflow temperature profile

**DATA SHEET**  
**SE2436L: High Power 2.4 GHz 802.15.4 Front End Module**

**Branding Information**



**Figure 6: SE2436L Typical Part Marking**

Copyright © 2012, 2014 Skyworks Solutions, Inc. All Rights Reserved.

Information in this document is provided in connection with Skyworks Solutions, Inc. (“Skyworks”) products or services. These materials, including the information contained herein, are provided by Skyworks as a service to its customers and may be used for informational purposes only by the customer. Skyworks assumes no responsibility for errors or omissions in these materials or the information contained herein. Skyworks may change its documentation, products, services, specifications or product descriptions at any time, without notice. Skyworks makes no commitment to update the materials or information and shall have no responsibility whatsoever for conflicts, incompatibilities, or other difficulties arising from any future changes.

No license, whether express, implied, by estoppel or otherwise, is granted to any intellectual property rights by this document. Skyworks assumes no liability for any materials, products or information provided hereunder, including the sale, distribution, reproduction or use of Skyworks products, information or materials, except as may be provided in Skyworks Terms and Conditions of Sale.

THE MATERIALS, PRODUCTS AND INFORMATION ARE PROVIDED “AS IS” WITHOUT WARRANTY OF ANY KIND, WHETHER EXPRESS, IMPLIED, STATUTORY, OR OTHERWISE, INCLUDING FITNESS FOR A PARTICULAR PURPOSE OR USE, MERCHANTABILITY, PERFORMANCE, QUALITY OR NON-INFRINGEMENT OF ANY INTELLECTUAL PROPERTY RIGHT; ALL SUCH WARRANTIES ARE HEREBY EXPRESSLY DISCLAIMED. SKYWORKS DOES NOT WARRANT THE ACCURACY OR COMPLETENESS OF THE INFORMATION, TEXT, GRAPHICS OR OTHER ITEMS CONTAINED WITHIN THESE MATERIALS. SKYWORKS SHALL NOT BE LIABLE FOR ANY DAMAGES, INCLUDING BUT NOT LIMITED TO ANY SPECIAL, INDIRECT, INCIDENTAL, STATUTORY, OR CONSEQUENTIAL DAMAGES, INCLUDING WITHOUT LIMITATION, LOST REVENUES OR LOST PROFITS THAT MAY RESULT FROM THE USE OF THE MATERIALS OR INFORMATION, WHETHER OR NOT THE RECIPIENT OF MATERIALS HAS BEEN ADVISED OF THE POSSIBILITY OF SUCH DAMAGE.

Skyworks products are not intended for use in medical, lifesaving or life-sustaining applications, or other equipment in which the failure of the Skyworks products could lead to personal injury, death, physical or environmental damage. Skyworks customers using or selling Skyworks products for use in such applications do so at their own risk and agree to fully indemnify Skyworks for any damages resulting from such improper use or sale.

Customers are responsible for their products and applications using Skyworks products, which may deviate from published specifications as a result of design defects, errors, or operation of products outside of published parameters or design specifications. Customers should include design and operating safeguards to minimize these and other risks.



## **DATA SHEET**

### **SE2436L: High Power 2.4 GHz 802.15.4 Front End Module**

---

Skyworks assumes no liability for applications assistance, customer product design, or damage to any equipment resulting from the use of Skyworks products outside of stated published specifications or parameters.

Skyworks, the Skyworks symbol, and "Breakthrough Simplicity" are trademarks or registered trademarks of Skyworks Solutions, Inc., in the United States and other countries. Third-party brands and names are for identification purposes only, and are the property of their respective owners. Additional information, including relevant terms and conditions, posted at [www.skyworksinc.com](http://www.skyworksinc.com), are incorporated by reference.