



Chipsmall Limited consists of a professional team with an average of over 10 year of expertise in the distribution of electronic components. Based in Hongkong, we have already established firm and mutual-benefit business relationships with customers from,Europe,America and south Asia,supplying obsolete and hard-to-find components to meet their specific needs.

With the principle of “Quality Parts,Customers Priority,Honest Operation,and Considerate Service”,our business mainly focus on the distribution of electronic components. Line cards we deal with include Microchip,ALPS,ROHM,Xilinx,Pulse,ON,Everlight and Freescale. Main products comprise IC,Modules,Potentiometer,IC Socket,Relay,Connector.Our parts cover such applications as commercial,industrial, and automotives areas.

We are looking forward to setting up business relationship with you and hope to provide you with the best service and solution. Let us make a better world for our industry!



Contact us

Tel: +86-755-8981 8866 Fax: +86-755-8427 6832

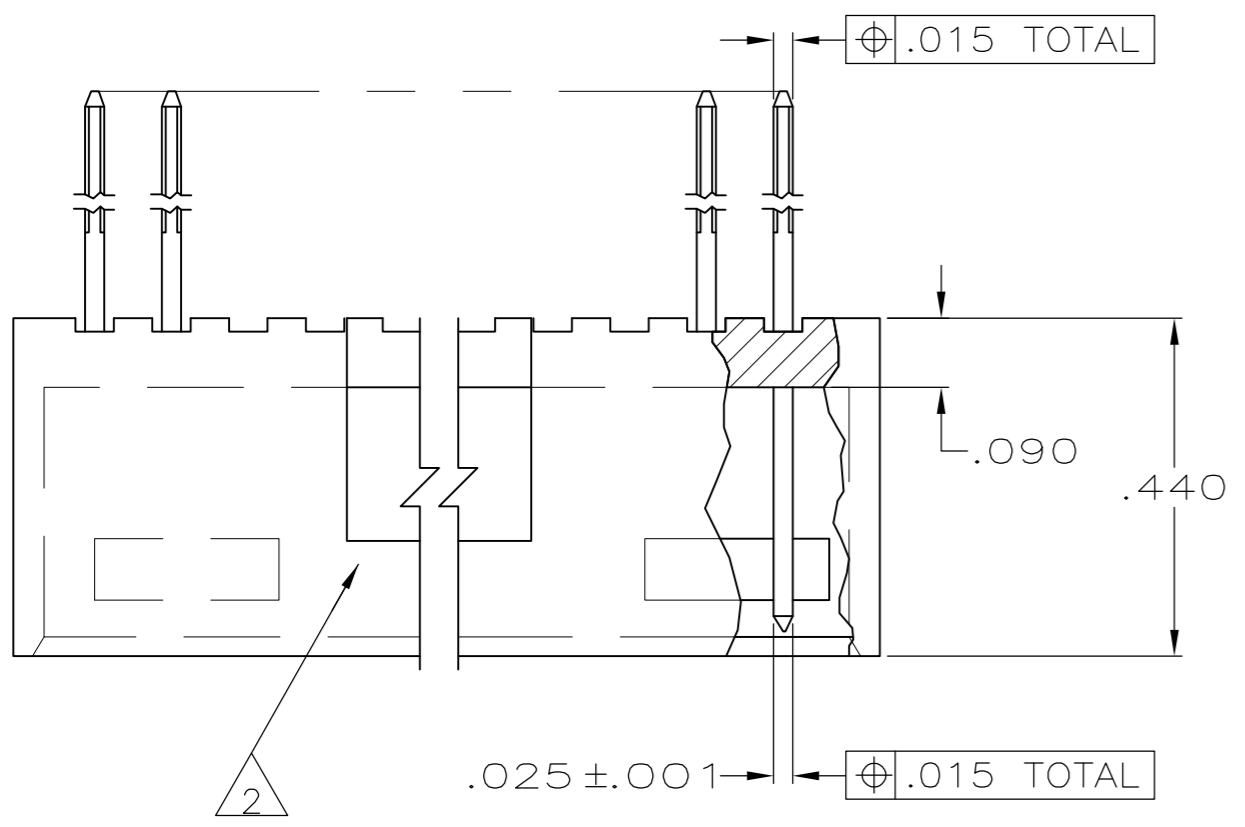
Email & Skype: info@chipsmall.com Web: www.chipsmall.com

Address: A1208, Overseas Decoration Building, #122 Zhenhua RD., Futian, Shenzhen, China

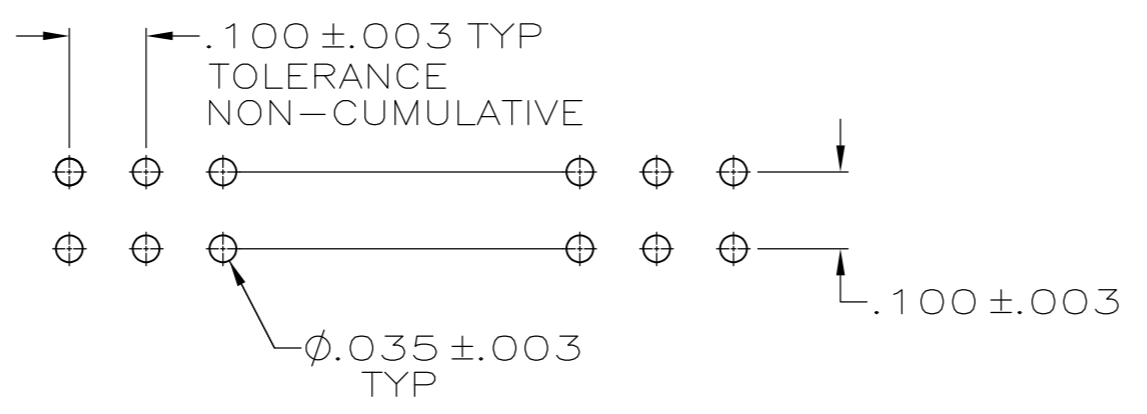
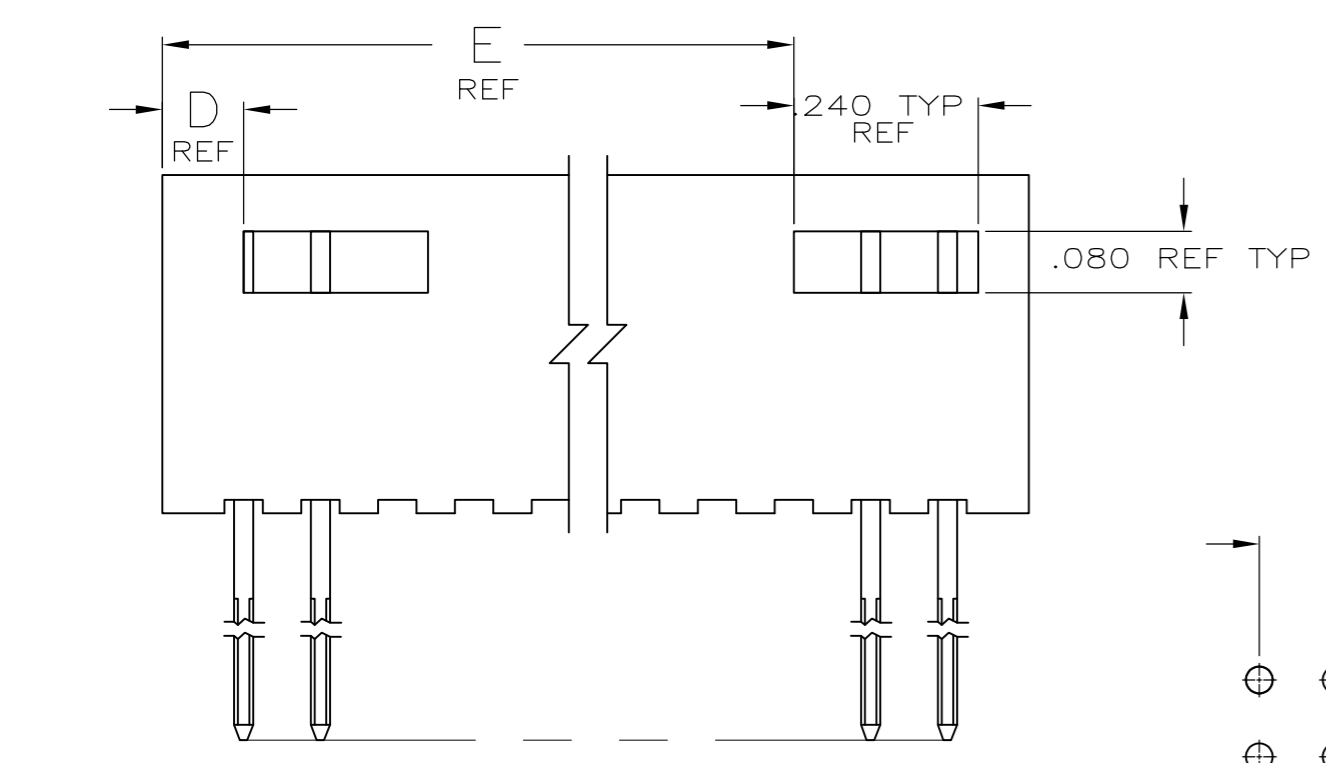
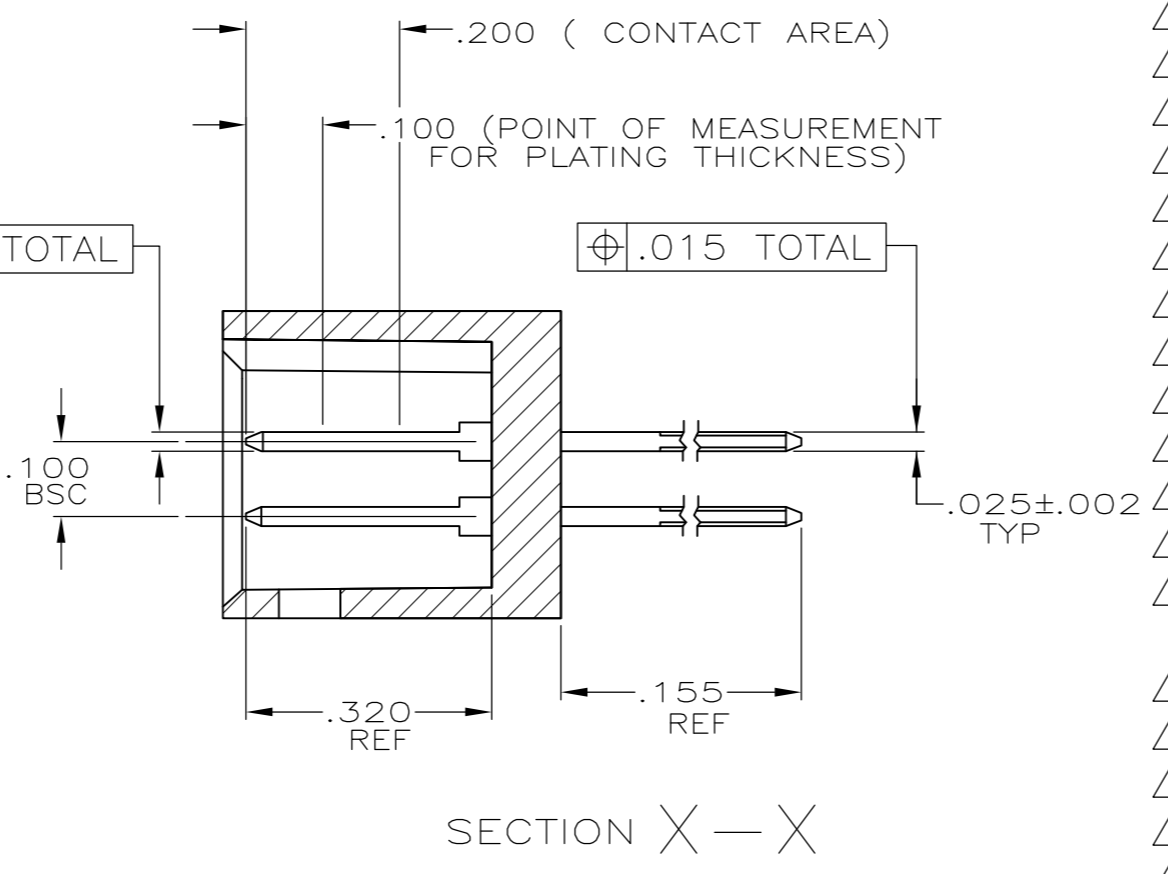
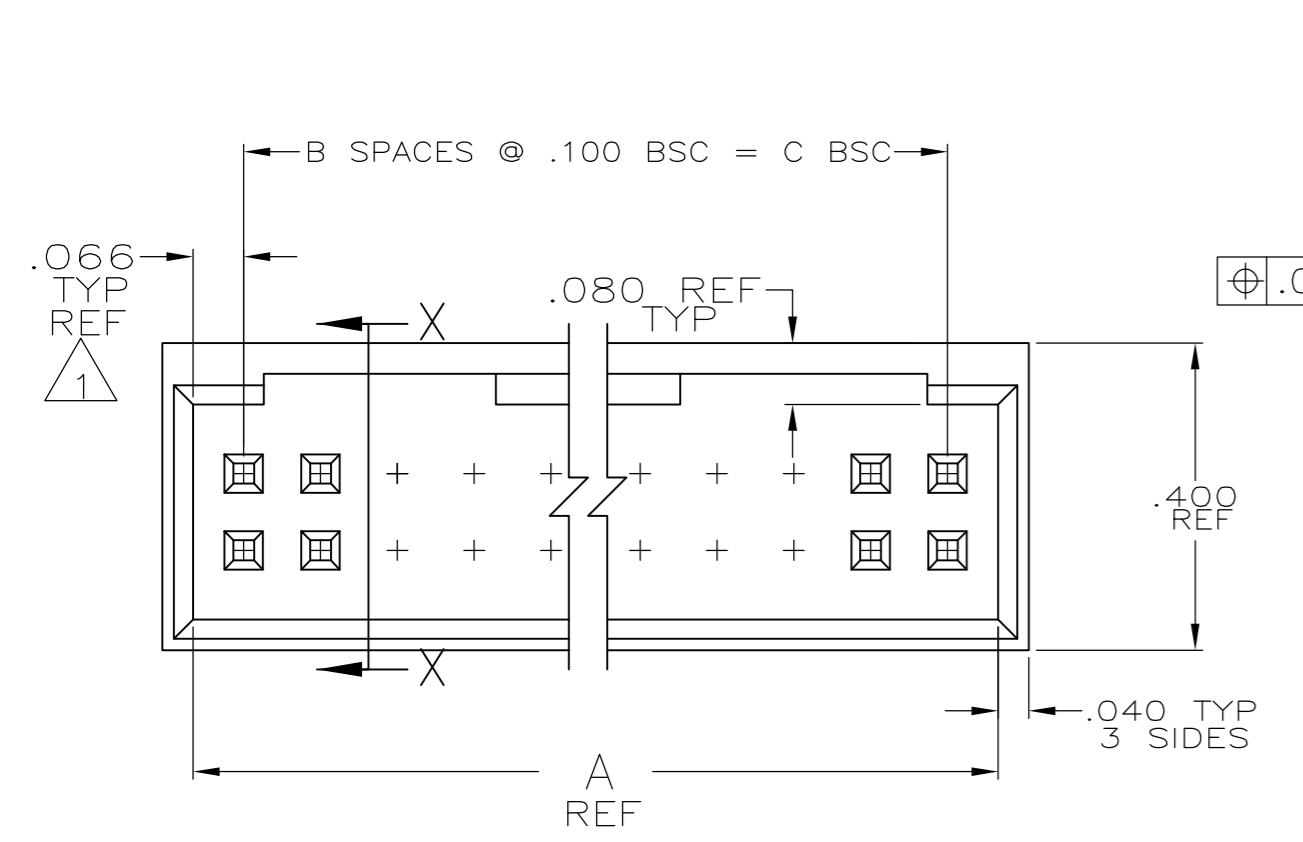


THIS DRAWING IS UNPUBLISHED. RELEASED FOR PUBLICATION
 © COPYRIGHT - By - ALL RIGHTS RESERVED.

LOC		DIST		REVISIONS			
P	LTR	DESCRIPTION		DATE	DWN	APVD	
AD	00	R		REVISED PER ECO-11-011767	08JUN11	HMR	MM



- 1 WILL ALSO MATE W/OTHER CONNECTORS WHICH ARE COMPATIBLE WITH THE .066 END DIM.
- 2 ACCESS SLOT.
- 3 .000030 GOLD IN CONTACT AREA, GOLD FLASH ON SOLDER AREA, ALL OVER .000050 MIN NICKEL ON ENTIRE POST.
- 4 OBSOLETE PARTS: OBSOLETE CIS STREAMLINING PER D.RENAUD/D.SINISI



		E	D	C	B	A	NO OF POSN	PART NUMBER
								3-87690-5
								3-87690-4
4	OBSOLETE	3.506	.106	.300	3	.432	8	3-87690-3
4	OBSOLETE	3.406		200	2	.332	6	3-87690-2
4	OBSOLETE	3.306		3.400	34	3.532	74	3-87690-1
4	OBSOLETE	3.206		3.300	33	3.432	68	3-87690-0
4	OBSOLETE	3.106		3.200	32	3.332	66	2-87690-9
4	OBSOLETE	3.006		3.100	31	3.232	64	2-87690-8
4	OBSOLETE	2.906		3.000	30	3.132	62	2-87690-7
4	OBSOLETE	2.806		2.900	29	3.032	60	2-87690-6
4	OBSOLETE	2.706		2.800	28	2.932	58	2-87690-5
4	OBSOLETE	2.606		2.700	27	2.832	56	2-87690-4
4	OBSOLETE	2.506		2.600	26	2.732	54	2-87690-3
4	OBSOLETE	2.406		2.500	25	2.632	52	2-87690-2
4	OBSOLETE	2.306		2.400	24	2.532	50	2-87690-1
4	OBSOLETE	2.206		2.300	23	2.432	48	2-87690-0
4	OBSOLETE	2.106		2.200	22	2.332	46	1-87690-9
4	OBSOLETE	2.006		2.100	21	2.232	44	1-87690-8
4	OBSOLETE	1.906		2.000	20	2.132	42	1-87690-7
		1.806		1.900	19	2.032	40	1-87690-6
4	OBSOLETE	1.706		1.800	18	1.932	38	1-87690-5
4	OBSOLETE	1.606		1.700	17	1.832	36	1-87690-4
4	OBSOLETE	1.506		1.600	16	1.732	34	1-87690-3
4	OBSOLETE	1.406		1.500	15	1.632	32	1-87690-2
4	OBSOLETE	1.306		1.400	14	1.532	30	1-87690-1
4	OBSOLETE	1.206		1.300	13	1.432	28	1-87690-0
		1.106		1.200	12	1.332	26	1-87690-9
		1.006		1.100	11	1.232	24	1-87690-8
		.906		1.000	10	1.132	22	1-87690-7
4	OBSOLETE	.806	.106	.900	9	1.032	20	1-87690-6
4	OBSOLETE	-	.406	.800	8	.932	18	1-87690-5
		-	.306	.700	7	.832	16	1-87690-4
		-	.306	.600	6	.732	14	1-87690-3
		-	.206	.500	5	.632	12	1-87690-2
		-	.206	.400	4	.532	10	1-87690-1

THIS DRAWING IS A CONTROLLED DOCUMENT.

DWN: B. HAYMAKER 08OCT98
 CHK: L. REGER 08OCT98
 APVD: L. REGER 08OCT98

TE Connectivity

NAME: (MATES WITH MOD IV OR LOCKING CLIP) HEADER ASSEMBLY MOD II
 .100 Q.025 SQUARE POST WITH DETAIL

SIZE: A2 CAGE CODE: 00779 DRAWING NO: C-87690 RESTRICTED TO: -

MATERIAL: HSG.- GLASS FILLED NYLON COLOR-BLACK CONTACT-PHOS. BRONZE
 FINISH: CONTACT- Δ

WEIGHT: -

CUSTOMER DRAWING SCALE: 4:1 SHEET: 1 OF 1 REV: R