



Chipsmall Limited consists of a professional team with an average of over 10 year of expertise in the distribution of electronic components. Based in Hongkong, we have already established firm and mutual-benefit business relationships with customers from,Europe,America and south Asia,supplying obsolete and hard-to-find components to meet their specific needs.

With the principle of "Quality Parts,Customers Priority,Honest Operation,and Considerate Service",our business mainly focus on the distribution of electronic components. Line cards we deal with include Microchip,ALPS,ROHM,Xilinx,Pulse,ON,Everlight and Freescale. Main products comprise IC,Modules,Potentiometer,IC Socket,Relay,Connector.Our parts cover such applications as commercial,industrial, and automotives areas.

We are looking forward to setting up business relationship with you and hope to provide you with the best service and solution. Let us make a better world for our industry!



## Contact us

Tel: +86-755-8981 8866 Fax: +86-755-8427 6832

Email & Skype: info@chipsmall.com Web: www.chipsmall.com

Address: A1208, Overseas Decoration Building, #122 Zhenhua RD., Futian, Shenzhen, China



**DATA SHEET**

**SE5004L: 5 GHz, 26dBm Power Amplifier with Power Detector**

**Applications**

- DSSS 5 GHz WLAN (IEEE802.11a)
- DSSS 5 GHz WLAN (IEEE802.11n)
- Access Points, PCMCIA, PC cards

**Features**

- High output power amplifier
  - 26dBm at 5V
- External Analog Reference Voltage ( $V_{REF}$ ) for maximum flexibility
- Buffered, temperature compensated power detector
- 3% EVM, @26dBm, 64 QAM, 54 Mbps
- 32 dB Gain
- Lead Free, RoHS compliant, halogen free MSL3 package
- 20 pin 4 mm x 4 mm x 0.9 mm QFN

**Product Description**

The SE5004L is a 5GHz power amplifier offering high linear power for wireless LAN applications. The SE5004L incorporates a power detector for closed loop monitoring and control of the output power.

The SE5004L offers high integration for a simplified design, providing quicker time to market and higher application board production yield. The device integrates the input match, the inter-stage match, the output match, the power detector with 15dB of dynamic range and a 3.8GHz notch filter. Only 6 external decoupling capacitors are required to complete the design.

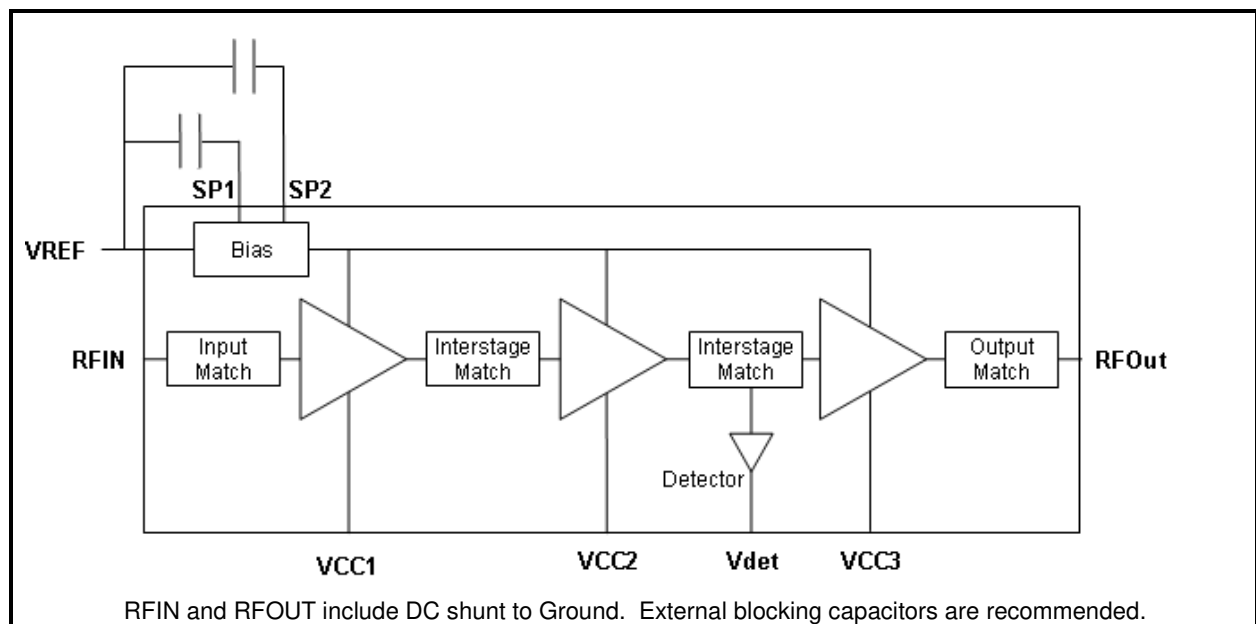
For wireless LAN applications, the device meets the requirements of IEEE802.11a & 802.11n, and delivers approximately 26dBm of linear output power at 5V.

The SE5004L integrates temperature compensated bias voltage generators. A 2.85V reference voltage on VREF is all that is required to enable or disable the power amplifier.

**Ordering Information**

| Part Number | Package        | Remark        |
|-------------|----------------|---------------|
| SE5004L     | 20 Pin QFN     | Samples       |
| SE5004L-R   | 20 Pin QFN     | Tape and Reel |
| SE5004L-EK1 | Evaluation Kit | Standard      |

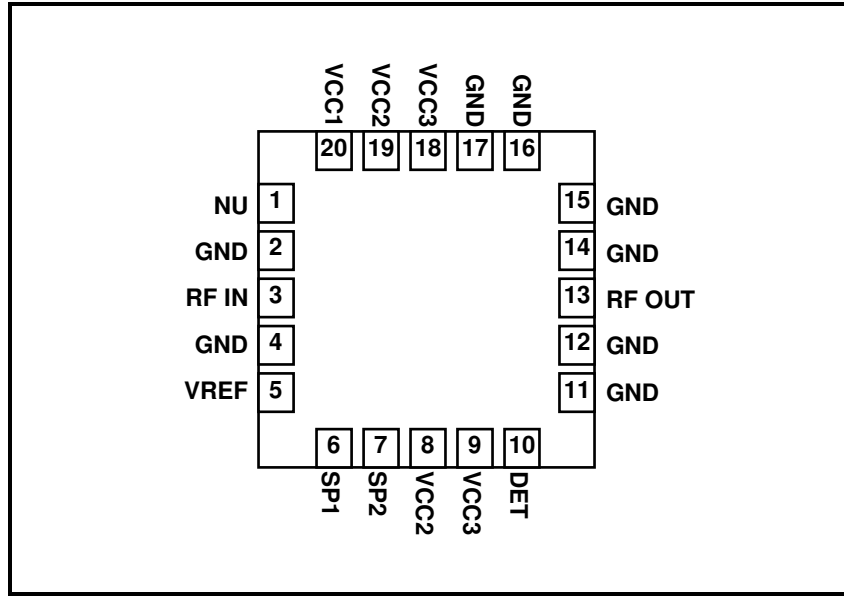
**Functional Block Diagram**



**Figure 1: Functional Block Diagram**

**DATA SHEET**  
**SE5004L: 5 GHz, 26dBm Power Amplifier with Power Detector**

**Pin Out Diagram**



**Figure 2: SE5004L Pin Out (Top View Through Package)**

**Pin Out Description**

| Pin No. | Name             | Description   |
|---------|------------------|---|
| 1       | NU               | Pin is not used, and is open circuit in the package |
| 2       | GND              | Ground  |
| 3       | RFin             | Power Amplifier RF input, DC block required         |
| 4       | GND              | Ground  |
| 5       | V <sub>REF</sub> | Reference Voltage                                   |
| 6       | SP1              | Port for optional capacitor to improve dynamic EVM  |
| 7       | SP2              | Port for optional capacitor to improve dynamic EVM  |
| 8       | VCC2             | Second Stage Supply Voltage                         |
| 9       | VCC3             | Third Stage Supply Voltage                          |
| 10      | DET              | Analog Power Detector Output                        |
| 11,12   | GND              | Ground  |
| 13      | RF OUT           | Power Amplifier RF Output                           |
| 14-17   | GND              | Ground  |
| 18      | VCC3             | Third Stage Supply Voltage                          |
| 19      | VCC2             | Second Stage Supply Voltage                         |
| 20      | VCC1             | First Stage Supply Voltage                          |

**DATA SHEET**
**SE5004L: 5 GHz, 26dBm Power Amplifier with Power Detector**
**Absolute Maximum Ratings**

These are stress ratings only. Exposure to stresses beyond these maximum ratings for a long period of time may cause permanent damage to, or affect the reliability of the device. Avoid operating the device outside the recommended operating conditions defined below. This device is ESD sensitive. Handling and assembly of this device should be at ESD protected workstations.

| Symbol             | Definition  | Min. | Max. | Unit |
|--------------------|---|------|------|------|
| V <sub>CC</sub>    | Supply Voltage on pins VCC3   | -0.3 | +6   | V    |
|                    | Supply Voltage on pins VCC1, VCC2   | -0.3 | VCC3 |      |
| V <sub>REF</sub>   | Power Amplifier Enable and Reference Voltage                                  | -0.3 | 3.6  | V    |
| R <sub>FIN</sub>   | RF Input Power, R <sub>Fout</sub> into 50Ω match, T <sub>CASE_MAX</sub> = 85C | -    | 6    | dBm  |
| T <sub>STG</sub>   | Storage Temperature Range   | -40  | 160  | °C   |
| T <sub>j</sub>     | Maximum Junction Temperature  | -    | 160  | °C   |
| ESD <sub>HBM</sub> | JEDEC JESD22-A114 all pins  | -    | 500  | V    |

**Recommended Operating Conditions**

| Symbol                | Parameter                 | Min. | Max. | Unit |
|-----------------------|---------------------------|------|------|------|
| V <sub>CC</sub>       | Supply Voltage VCC3       | 3.0  | 5.5  | V    |
|                       | Supply Voltage VCC1, VCC2 | 3.0  | VCC3 |      |
| T <sub>CASE_MAX</sub> | Maximum Case Temperature  | -40  | 85   | °C   |
| V <sub>REF</sub>      | Reference Voltage         | 2.8  | 2.9  | V    |

**DC Electrical Characteristics**

Conditions: V<sub>CC</sub> = 5.0V, V<sub>REF</sub> = 2.85 V, T<sub>A</sub> = 25 °C, as measured on Skyworks Solutions' SE5004L-EK1 evaluation board, unless otherwise noted.

| Symbol                  | Parameter                  | Conditions   | Min. | Typ. | Max. | Unit |
|-------------------------|----------------------------|--|------|------|------|------|
| I <sub>CC-802.11a</sub> | Supply Current             | P <sub>OUT</sub> = 26 dBm, 54 Mbps, 64 QAM                               | -    | 600  | 800  | mA   |
| I <sub>QC</sub>         | Quiescent Current          | No RF  | -    | 300  | -    | mA   |
| I <sub>OFF</sub>        | Supply Current             | V <sub>REF</sub> = 0 V, No RF  | -    | 0.5  | 10   | μA   |
| I <sub>EN</sub>         | Bias Control Current       | V <sub>REF</sub> = V <sub>REF H</sub><br>Internal 2KΩ pull down resistor | -    | 10   | -    | mA   |
| V <sub>REF H</sub>      | Reference Voltage Enabled  | -  | 2.80 | 2.85 | 2.9  | V    |
| V <sub>REF L</sub>      | Reference Voltage Disabled | -  | 0    | -    | 0.5  | V    |

**DATA SHEET**

**SE5004L: 5 GHz, 26dBm Power Amplifier with Power Detector**

**AC Electrical Characteristics**

**802.11a AC Electrical Characteristics**

Conditions:  $V_{CC} = 5.0\text{ V}$ ,  $V_{REF} = 2.85\text{ V}$ ,  $f = 5.4\text{ GHz}$ ,  $T_A = 25\text{ }^\circ\text{C}$ , as measured on Skyworks Solutions' SE5004L-EK1 evaluation board, unless otherwise noted

| Symbol               | Parameter  | Conditions  | Min.   | Typ. | Max. | Unit    |
|----------------------|--|---|--|------|------|---------|
| $f_{L-U}$            | Frequency Range  | -   | 5.15   | -    | 5.85 | GHz     |
| $P_{OUT}$            | Output Power   | 802.11a, 54Mbps, 64 QAM, 3% EVM   | 25.5   | 26   | -    | dBm     |
|                      |  | 802.11a, 54Mbps, 64 QAM, 2.5% EVM   | 24.5   | 25   | -    |         |
|                      |  | 802.11n, MCS0, Mask Compliant   | -  | 29   | -    |         |
| $P_{1dB}$            | Output 1dB compression point                           | No modulation   | 30   | 34   | -    | dBm     |
| $S_{21}$             | Small Signal Gain                                      | $P_{IN} = -25\text{ dBm}$   | 30   | 32   | -    | dB      |
| $\Delta S_{21}$      | Gain Variation   | Within each UNII Band   | -  | 3    | -    | dB      |
| $\Delta S_{21\ 3.8}$ | Gain at 3.8GHz   | $P_{IN} = -25\text{ dBm}$   | -  | -    | 0    | dB      |
| 2f                   | Harmonic   | $P_{OUT} = 26\text{ dBm}$ , 5V  | -  | -    | -45  | dBm/MHz |
| 3f                   |  |   |  |      |      |         |
| $t_r, t_f$           | Rise and Fall Time                                     | -   | -  | 0.15 | 0.3  | us      |
| STAB                 | Stability  | $P_{OUT} = 26\text{ dBm}$ , $V_{CC} = 5V$ , 54 Mbps, 64 QAM, VSWR = 6:1, all phases | All non-harmonically related outputs less than -50 dBc/100 kHz |      |      |         |
| Rugged               | Tolerance to constant input power into a mismatch load | $P_{IN} = -10\text{ dBm}$ , CW, VSWR = 6:1, all phases                              | No damage  |      |      |         |

**DATA SHEET**  
**SE5004L: 5 GHz, 26dBm Power Amplifier with Power Detector**

**Power Detector**

Conditions:  $V_{CC} = 5.0\text{ V}$ ,  $V_{REF} = 2.85\text{ V}$ ,  $f = 5.4\text{ GHz}$ ,  $T_A = 25\text{ }^\circ\text{C}$ , as measured on Skyworks Solutions' SE5004L-EK1 evaluation board, unless otherwise noted

| Symbol              | Parameter              | Conditions  | Min. | Typ.  | Max.      | Unit       |
|---------------------|------------------------|---|------|-------|-----------|------------|
| PDR                 | $P_{OUT}$ detect range | -   | 0    | -     | $P_{1dB}$ | dBm        |
| VDET                | Detector voltage       | $P_{OUT} = 27\text{ dBm}$                                       | -    | 1.000 | -         | V          |
|                     |                        | $P_{OUT} = \text{NO RF}$  | -    | 0.325 | -         | V          |
| ERR <sub>DET</sub>  | Detector Accuracy      | $\Delta P_{OUT}$ at constant $V_{DET}$ ,<br>5.15 GHz – 5.70 GHz | -0.5 | -     | +0.5      | dB         |
|                     |                        | 5.70 GHz – 5.85 GHz   | -0.5 | -     | +0.5      | dB         |
|                     |                        | $\Delta P_{OUT}$ at constant $V_{DET}$ ,<br>VSWR = 3:1          | -1.5 |       | +1.5      | dB         |
| PDZ <sub>OUT</sub>  | Output Impedance       | -   | -    | 0.7   | -         | K $\Omega$ |
| PDZ <sub>LOAD</sub> | DC load impedance      | -   | -    | 26.5  | -         | K $\Omega$ |

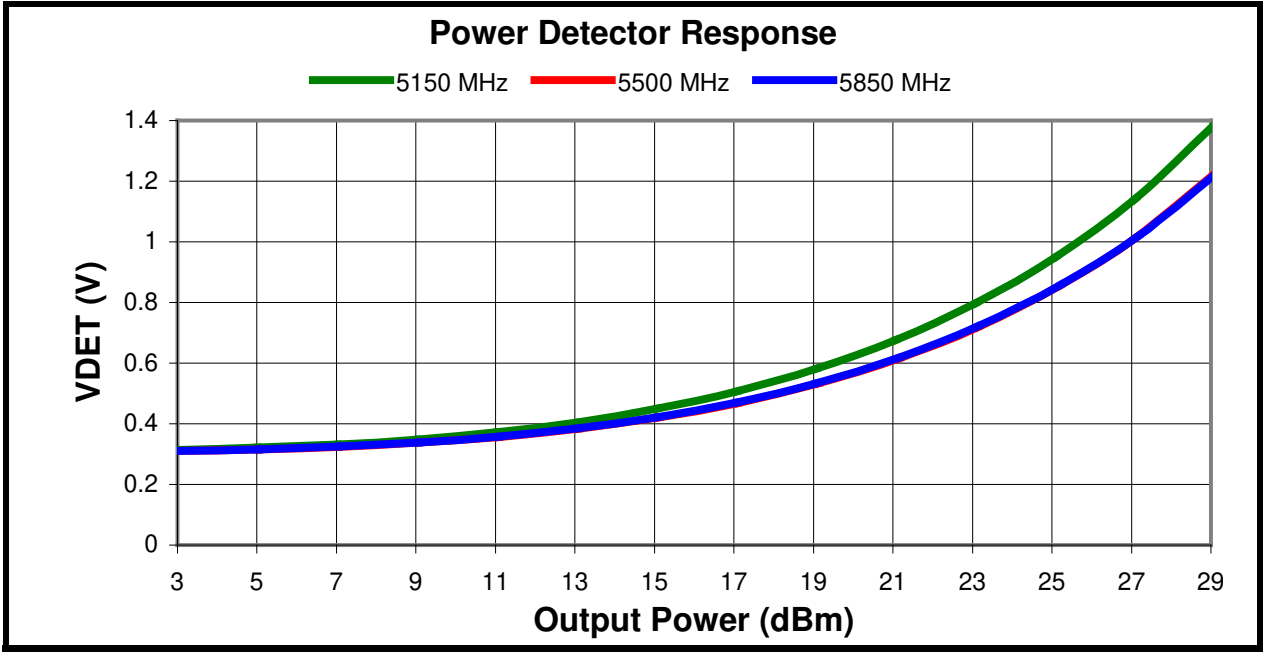


Figure 3: SE5004L Power Detector Characteristic over Frequency



DATA SHEET

SE5004L: 5 GHz, 26dBm Power Amplifier with Power Detector

Package Diagram

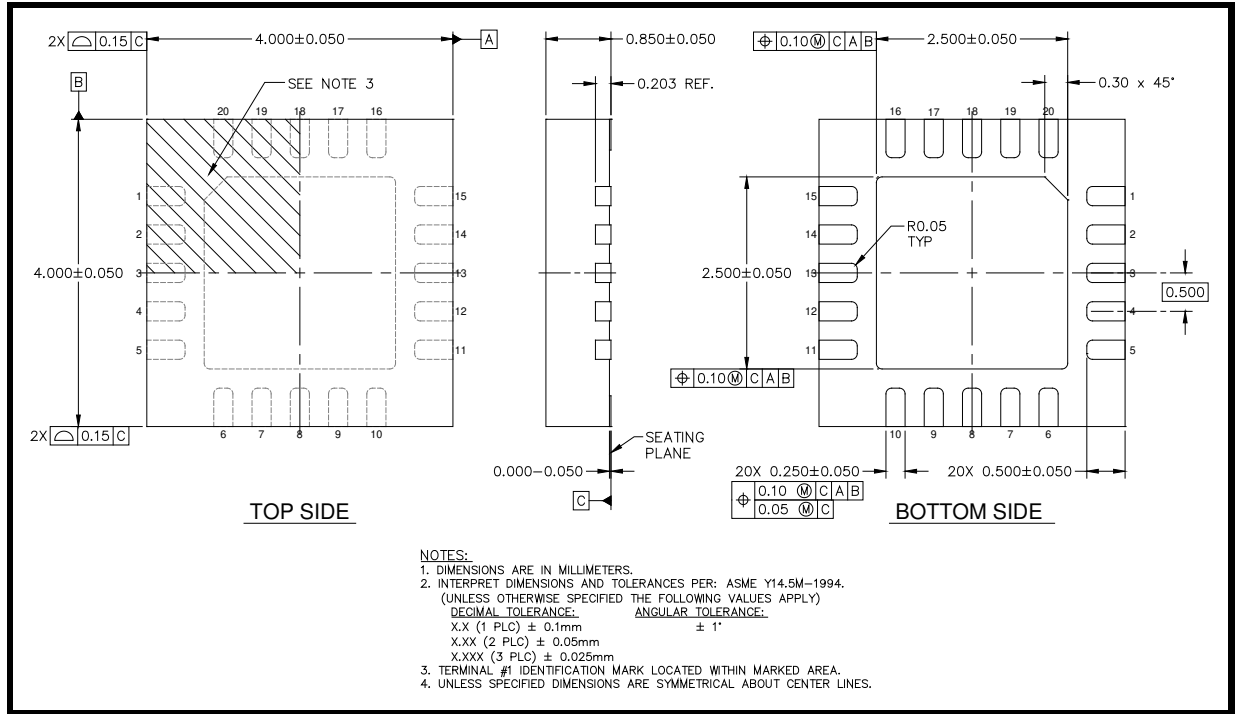
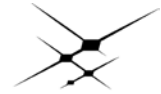


Figure 4: SE5004L Package Information





DATA SHEET

SE5004L: 5 GHz, 26dBm Power Amplifier with Power Detector

Recommended Land and Solder Pattern

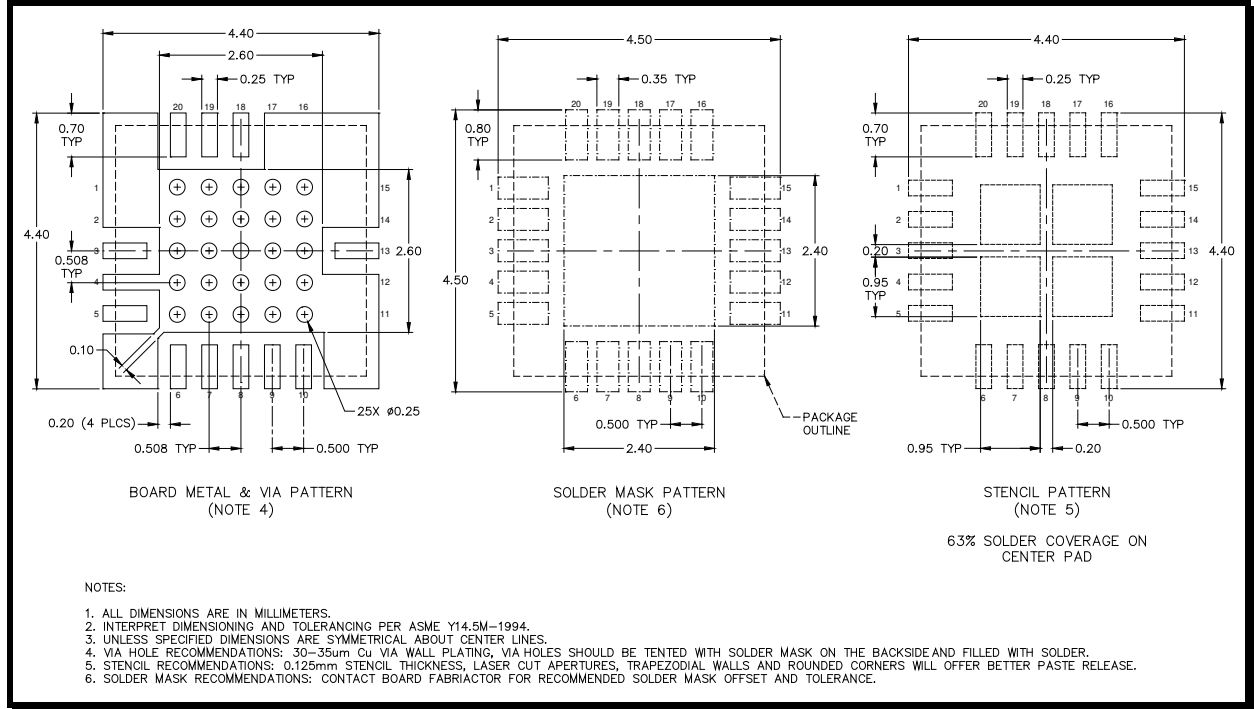


Figure 5: SE5004L Recommended Land Pattern

Package Handling Information

Because of its sensitivity to moisture absorption, instructions on the shipping container label must be followed regarding exposure to moisture after the container seal is broken, otherwise, problems related to moisture absorption may occur when the part is subjected to high temperature during solder assembly. The SE5004L is capable of withstanding a Pb free solder reflow. Care must be taken when attaching this product, whether it is done manually or in a production solder reflow environment. If the part is manually attached, precaution should be taken to insure that the device is not subjected to temperatures above its rated peak temperature for an extended period of time. For details on both attachment techniques, precautions, and handling procedures recommended, please refer to:

- “Quad Flat No-Lead Module Solder Reflow & Rework Information”, *Document Number QAD-00045*
- “Handling, Packing, Shipping and Use of Moisture Sensitive QFN”, *Document Number QAD-00044*

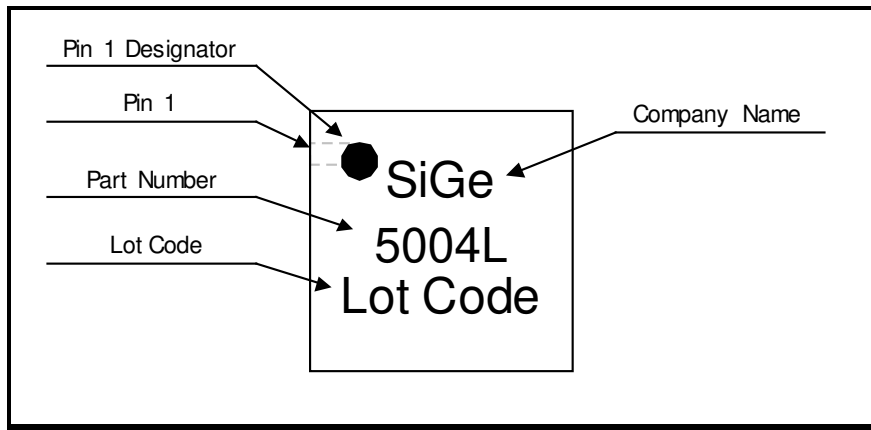


Caution! Class 1B ESD sensitive device



**DATA SHEET**  
**SE5004L: 5 GHz, 26dBm Power Amplifier with Power Detector**

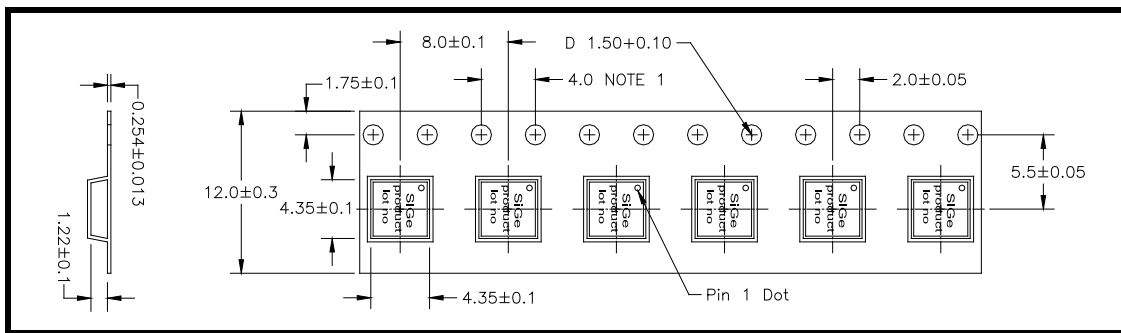
**Branding Information**



**Figure 6: SE5004L Branding Information**

**Tape and Reel Information**

| Parameter        | Value          |
|------------------|----------------|
| Devices Per Reel | 3000           |
| Reel Diameter    | 13 inches      |
| Tape Width       | 12 millimeters |



**Figure 7: SE5004L-R Tape and Reel Information**

**DATA SHEET**  
**SE5004L: 5 GHz, 26dBm Power Amplifier with Power Detector**

**Document Change History**

| Revision | Date         | Notes   |
|----------|--------------|---|
| 1.0      | Aug 18, 2009 | Created   |
| 1.1      | Jan 14, 2010 | Updated Pinout  |
| 1.2      | May 4, 2010  | Updated harmonic specification  |
| 1.3      | May 7, 2010  | Update $T_{RISE}$ and $T_{FALL}$ time<br>Added MSL rating   |
| 1.4      | May 20, 2010 | Update Recommended Land and Solder Pattern<br>Update detector plot.   |
| 1.5      | Jul 20, 2010 | Extended operating temperature range to -40C to +85C<br>Updated absolute maximum ratings for VCC1 and VCC2<br>Updated EN pull down resistor value |
| 1.6      | Nov 20, 2010 | Update Maximum Junction Temperature<br>Updated ESD rating   |
| 1.7      | Feb 25, 2011 | Added Mask compliance<br>Added Vref min/max limits to recommended operating conditions  |
| 1.8      | Apr 02, 2012 | Updated with Skyworks logo and disclaimer statement   |
| 1.9      | Apr 12, 2012 | Added min/max limits to Gain, P1dB, EVM, ICC  |

Copyright © 2012 Skyworks Solutions, Inc. All Rights Reserved.

Information in this document is provided in connection with Skyworks Solutions, Inc. ("Skyworks") products or services. These materials, including the information contained herein, are provided by Skyworks as a service to its customers and may be used for informational purposes only by the customer. Skyworks assumes no responsibility for errors or omissions in these materials or the information contained herein. Skyworks may change its documentation, products, services, specifications or product descriptions at any time, without notice. Skyworks makes no commitment to update the materials or information and shall have no responsibility whatsoever for conflicts, incompatibilities, or other difficulties arising from any future changes.

No license, whether express, implied, by estoppel or otherwise, is granted to any intellectual property rights by this document. Skyworks assumes no liability for any materials, products or information provided hereunder, including the sale, distribution, reproduction or use of Skyworks products, information or materials, except as may be provided in Skyworks Terms and Conditions of Sale.

THE MATERIALS, PRODUCTS AND INFORMATION ARE PROVIDED "AS IS" WITHOUT WARRANTY OF ANY KIND, WHETHER EXPRESS, IMPLIED, STATUTORY, OR OTHERWISE, INCLUDING FITNESS FOR A PARTICULAR PURPOSE OR USE, MERCHANTABILITY, PERFORMANCE, QUALITY OR NON-INFRINGEMENT OF ANY INTELLECTUAL PROPERTY RIGHT; ALL SUCH WARRANTIES ARE HEREBY EXPRESSLY DISCLAIMED. SKYWORKS DOES NOT WARRANT THE ACCURACY OR COMPLETENESS OF THE INFORMATION, TEXT, GRAPHICS OR OTHER ITEMS CONTAINED WITHIN THESE MATERIALS. SKYWORKS SHALL NOT BE LIABLE FOR ANY DAMAGES, INCLUDING BUT NOT LIMITED TO ANY SPECIAL, INDIRECT, INCIDENTAL, STATUTORY, OR CONSEQUENTIAL DAMAGES, INCLUDING WITHOUT LIMITATION, LOST REVENUES OR LOST PROFITS THAT MAY RESULT FROM THE USE OF THE MATERIALS OR INFORMATION, WHETHER OR NOT THE RECIPIENT OF MATERIALS HAS BEEN ADVISED OF THE POSSIBILITY OF SUCH DAMAGE.

Skyworks products are not intended for use in medical, lifesaving or life-sustaining applications, or other equipment in which the failure of the Skyworks products could lead to personal injury, death, physical or environmental damage. Skyworks customers using or selling Skyworks products for use in such applications do so at their own risk and agree to fully indemnify Skyworks for any damages resulting from such improper use or sale.

Customers are responsible for their products and applications using Skyworks products, which may deviate from published specifications as a result of design defects, errors, or operation of products outside of published parameters or design specifications. Customers should include design and operating safeguards to minimize these and other risks. Skyworks assumes no liability for applications assistance, customer product design, or damage to any equipment resulting from the use of Skyworks products outside of stated published specifications or parameters.

Skyworks, the Skyworks symbol, and "Breakthrough Simplicity" are trademarks or registered trademarks of Skyworks Solutions, Inc., in the United States and other countries. Third-party brands and names are for identification purposes only, and are the property of their respective owners. Additional information, including relevant terms and conditions, posted at [www.skyworksinc.com](http://www.skyworksinc.com), are incorporated by reference.