



Chipsmall Limited consists of a professional team with an average of over 10 year of expertise in the distribution of electronic components. Based in Hongkong, we have already established firm and mutual-benefit business relationships with customers from,Europe,America and south Asia,supplying obsolete and hard-to-find components to meet their specific needs.

With the principle of “Quality Parts,Customers Priority,Honest Operation,and Considerate Service”,our business mainly focus on the distribution of electronic components. Line cards we deal with include Microchip,ALPS,ROHM,Xilinx,Pulse,ON,Everlight and Freescale. Main products comprise IC,Modules,Potentiometer,IC Socket,Relay,Connector.Our parts cover such applications as commercial,industrial, and automotives areas.

We are looking forward to setting up business relationship with you and hope to provide you with the best service and solution. Let us make a better world for our industry!



## Contact us

Tel: +86-755-8981 8866 Fax: +86-755-8427 6832

Email & Skype: info@chipsmall.com Web: www.chipsmall.com

Address: A1208, Overseas Decoration Building, #122 Zhenhua RD., Futian, Shenzhen, China



## General-purpose single bipolar timers

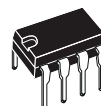
### Features

- Low turn-off time
- Maximum operating frequency greater than 500 kHz
- Timing from microseconds to hours
- Operates in both astable and monostable modes
- Output can source or sink up to 200 mA
- Adjustable duty cycle
- TTL compatible
- Temperature stability of 0.005% per °C

### Description

The NE555, SA555, and SE555 monolithic timing circuits are highly stable controllers capable of producing accurate time delays or oscillation. In the time delay mode of operation, the time is precisely controlled by one external resistor and capacitor. For a stable operation as an oscillator, the free running frequency and the duty cycle are both accurately controlled with two external resistors and one capacitor.

The circuit may be triggered and reset on falling waveforms, and the output structure can source or sink up to 200 mA.

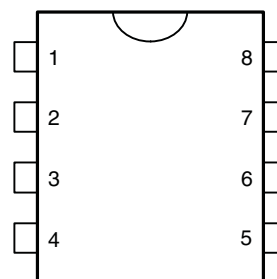


**N**  
**DIP8**  
(Plastic package)



**D**  
**SO8**  
(Plastic micropackage)

### Pin connections (top view)



- |             |                     |
|-------------|---------------------|
| 1 - GND     | 5 - Control voltage |
| 2 - Trigger | 6 - Threshold       |
| 3 - Output  | 7 - Discharge       |
| 4 - Reset   | 8 - V <sub>CC</sub> |

# 1 Schematic diagrams

Figure 1. Block diagram

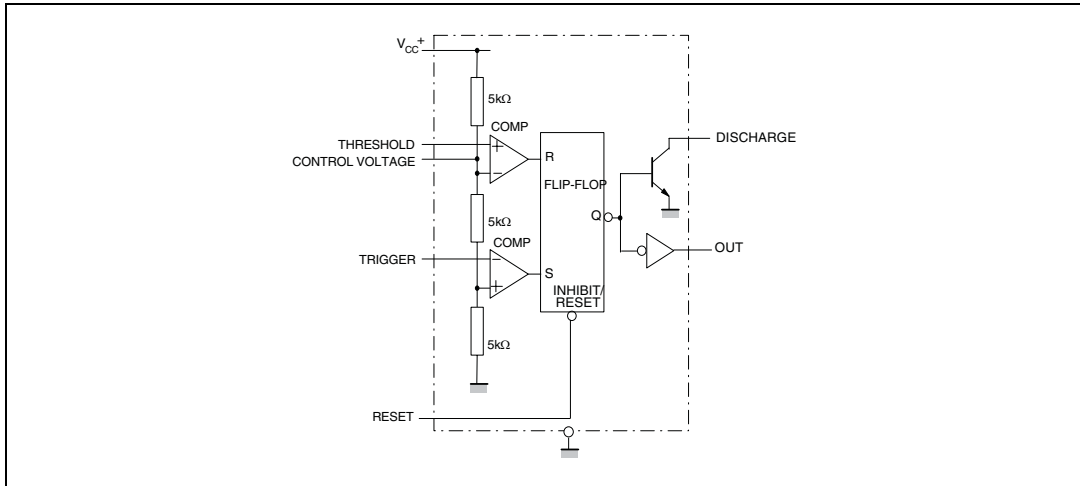
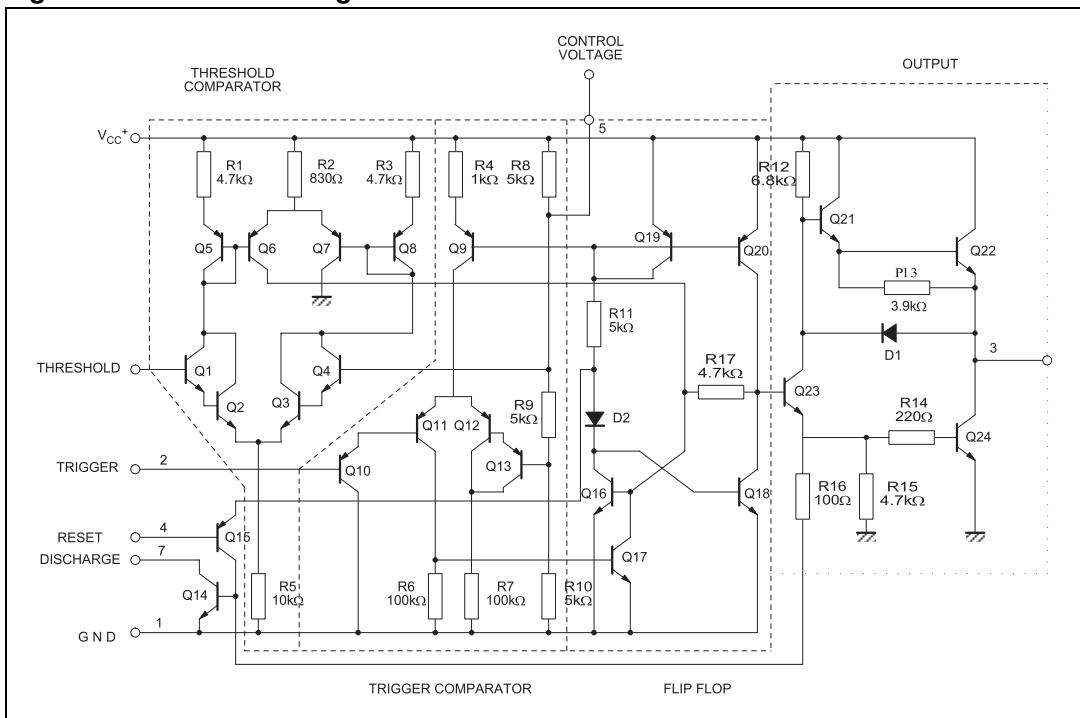


Figure 2. Schematic diagram



## 2 Absolute maximum ratings and operating conditions

**Table 1. Absolute maximum ratings**

Symbol	Parameter	Value	Unit
$V_{CC}$	Supply voltage	18	V
$I_{OUT}$	Output current (sink & source)	$\pm 225$	mA
$R_{thja}$	Thermal resistance junction to ambient <sup>(1)</sup>		$^{\circ}\text{C}/\text{W}$
	DIP8 SO-8	85 125	
$R_{thjc}$	Thermal resistance junction to case <sup>(1)</sup>		$^{\circ}\text{C}/\text{W}$
	DIP8 SO-8	41 40	
ESD	Human body model (HBM) <sup>(2)</sup>	1000	V
	Machine model (MM) <sup>(3)</sup>	100	
	Charged device model (CDM) <sup>(4)</sup>	1500	
	Latch-up immunity	200	mA
$T_{LEAD}$	Lead temperature (soldering 10 seconds)	260	$^{\circ}\text{C}$
$T_j$	Junction temperature	150	$^{\circ}\text{C}$
$T_{stg}$	Storage temperature range	-65 to 150	$^{\circ}\text{C}$

- Short-circuits can cause excessive heating. These values are typical.
- Human body model: a 100 pF capacitor is charged to the specified voltage, then discharged through a 1.5 k $\Omega$  resistor between two pins of the device. This is done for all couples of connected pin combinations while the other pins are floating.
- Machine model: a 200 pF capacitor is charged to the specified voltage, then discharged directly between two pins of the device with no external series resistor (internal resistor < 5  $\Omega$ ). This is done for all couples of connected pin combinations while the other pins are floating.
- Charged device model: all pins and the package are charged together to the specified voltage and then discharged directly to the ground through only one pin. This is done for all pins.

**Table 2. Operating conditions**

Symbol	Parameter	Value	Unit
$V_{CC}$	Supply voltage		V
	NE555	4.5 to 16	
	SA555 SE555	4.5 to 16 4.5 to 18	
$V_{th}$ , $V_{trig}$ , $V_{cl}$ , $V_{reset}$	Maximum input voltage	$V_{CC}$	V
$I_{OUT}$	Output current (sink and source)	$\pm 200$	mA
$T_{oper}$	Operating free air temperature range		$^{\circ}\text{C}$
	NE555	0 to 70	
	SA555 SE555	-40 to 105 -55 to 125	



### 3 Electrical characteristics

Table 3.  $T_{amb} = +25^{\circ}C$ ,  $V_{CC} = +5V$  to  $+15V$  (unless otherwise specified)

Symbol	Parameter	SE555			NE555 - SA555			Unit
		Min.	Typ.	Max.	Min.	Typ.	Max.	
$I_{CC}$	Supply current ( $R_L = \infty$ )							mA
	Low state $V_{CC} = +5V$		3	5		3	6	
	$V_{CC} = +15V$		10	12		10	15	
	High state $V_{CC} = +5V$		2			2		
	Timing error (monostable) ( $R_A = 2k\Omega$ to $100k\Omega$ , $C = 0.1\mu F$ )							% ppm/ $^{\circ}C$ %/V
	Initial accuracy <sup>(1)</sup>		0.5	2		1	3	
	Drift with temperature		30	100		50		
	Drift with supply voltage		0.05	0.2		0.1	0.5	
	Timing error (astable) ( $R_A, R_B = 1k\Omega$ to $100k\Omega$ , $C = 0.1\mu F$ , $V_{CC} = +15V$ )							% ppm/ $^{\circ}C$ %/V
	Initial accuracy <sup>(1)</sup>		1.5			2.25		
	Drift with temperature		90			150		
	Drift with supply voltage		0.15			0.3		
$V_{CL}$	Control voltage level							V
	$V_{CC} = +15V$	9.6	10	10.4	9	10	11	
	$V_{CC} = +5V$	2.9	3.33	3.8	2.6	3.33	4	
$V_{th}$	Threshold voltage							V
	$V_{CC} = +15V$	9.4	10	10.6	8.8	10	11.2	
	$V_{CC} = +5V$	2.7	3.33	4	2.4	3.33	4.2	
$I_{th}$	Threshold current <sup>(2)</sup>		0.1	0.25		0.1	0.25	$\mu A$
$V_{trig}$	Trigger voltage							V
	$V_{CC} = +15V$	4.8	5	5.2	4.5	5	5.6	
	$V_{CC} = +5V$	1.45	1.67	1.9	1.1	1.67	2.2	
$I_{trig}$	Trigger current ( $V_{trig} = 0V$ )		0.5	0.9		0.5	2.0	$\mu A$
$V_{reset}$	Reset voltage <sup>(3)</sup>	0.4	0.7	1	0.4	0.7	1	V
$I_{reset}$	Reset current							mA
	$V_{reset} = +0.4V$		0.1	0.4		0.1	0.4	
	$V_{reset} = 0V$		0.4	1		0.4	1.5	
$V_{OL}$	Low level output voltage							V
	$V_{CC} = +15V$ $I_{O(sink)} = 10mA$		0.1	0.15		0.1	0.25	
	$I_{O(sink)} = 50mA$		0.4	0.5		0.4	0.75	
	$I_{O(sink)} = 100mA$		2	2.2		2	2.5	
	$I_{O(sink)} = 200mA$		2.5			2.5		
	$V_{CC} = +5V$ $I_{O(sink)} = 8mA$		0.1	0.25		0.3	0.4	
	$I_{O(sink)} = 5mA$		0.05	0.2		0.25	0.35	

Table 3.  $T_{amb} = +25^{\circ}C$ ,  $V_{CC} = +5V$  to  $+15V$  (unless otherwise specified) (continued)

Symbol	Parameter	SE555			NE555 - SA555			Unit
		Min.	Typ.	Max.	Min.	Typ.	Max.	
$V_{OH}$	High level output voltage $V_{CC} = +15V$ $I_{O(sink)} = 200mA$ $I_{O(sink)} = 100mA$ $V_{CC} = +5V$ $I_{O(sink)} = 100mA$	13 3	12.5 13.3 3.3		12.7 5 2.75	12.5 13.3 3.3		V
$I_{dis(off)}$	Discharge pin leakage current (output high) $V_{dis} = 10V$		20	100		20	100	nA
$V_{dis(sat)}$	Discharge pin saturation voltage (output low) <sup>(4)</sup> $V_{CC} = +15V$ , $I_{dis} = 15mA$ $V_{CC} = +5V$ , $I_{dis} = 4.5mA$		180 80	480 200		180 80	480 200	mV
$t_r$ $t_f$	Output rise time Output fall time		100 100	200 200		100 100	300 300	ns
$t_{off}$	Turn off time <sup>(5)</sup> ( $V_{reset} = V_{CC}$ )		0.5			0.5		$\mu s$

1. Tested at  $V_{CC} = +5V$  and  $V_{CC} = +15V$ .
2. This will determine the maximum value of  $R_A + R_B$  for 15 V operation. The maximum total ( $R_A + R_B$ ) is 20 M $\Omega$  for +15 V operation and 3.5 M $\Omega$  for +5 V operation.
3. Specified with trigger input high.
4. No protection against excessive pin 7 current is necessary, providing the package dissipation rating is not exceeded.
5. Time measured from a positive pulse (from 0 V to  $0.8 \times V_{CC}$ ) on the threshold pin to the transition from high to low on the output pin. Trigger is tied to threshold.

Figure 3. Minimum pulse width required for triggering

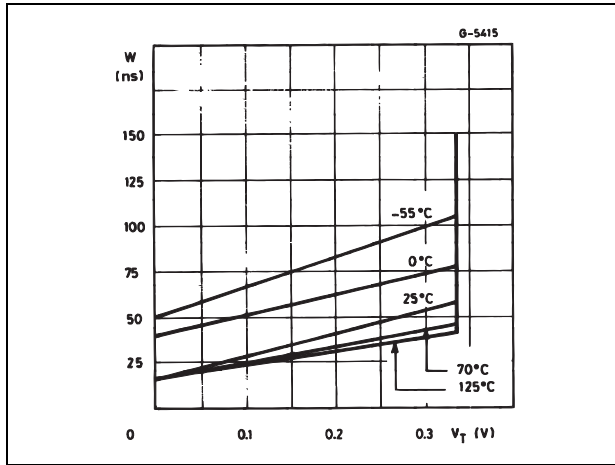


Figure 4. Supply current versus supply voltage

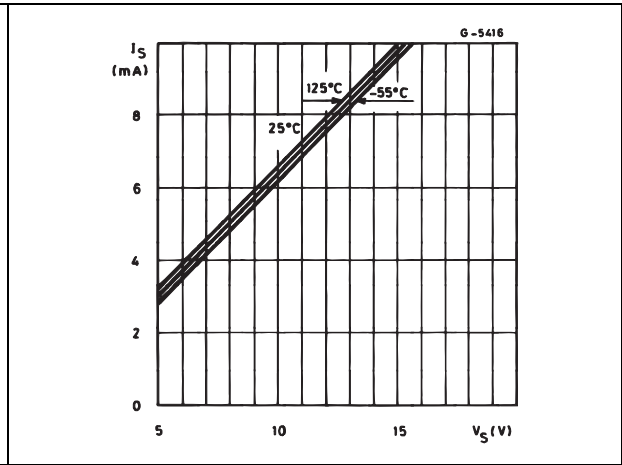


Figure 5. Delay time versus temperature

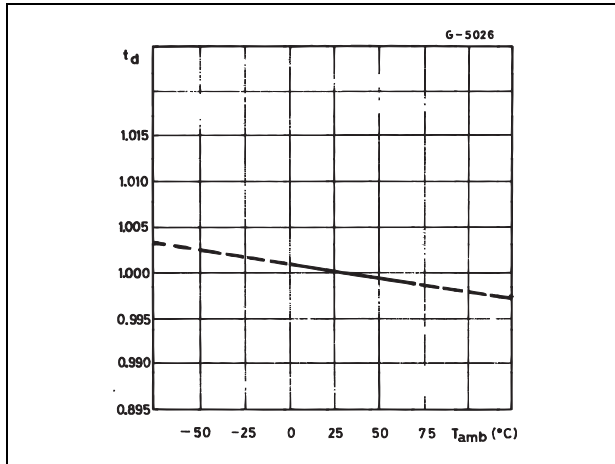


Figure 6. Low output voltage versus output sink current

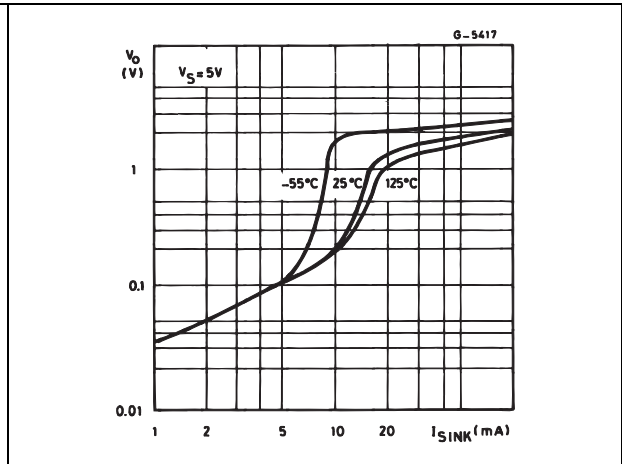


Figure 7. Low output voltage versus output sink current

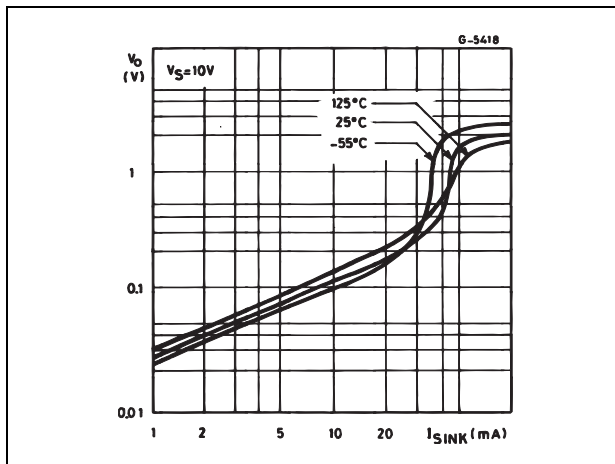


Figure 8. Low output voltage versus output sink current

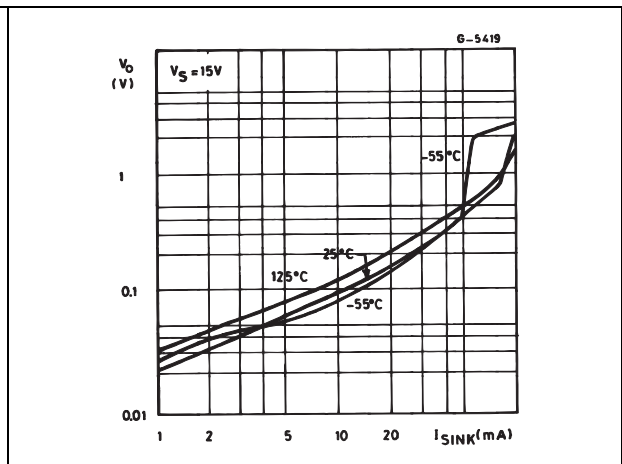


Figure 9. High output voltage drop versus output

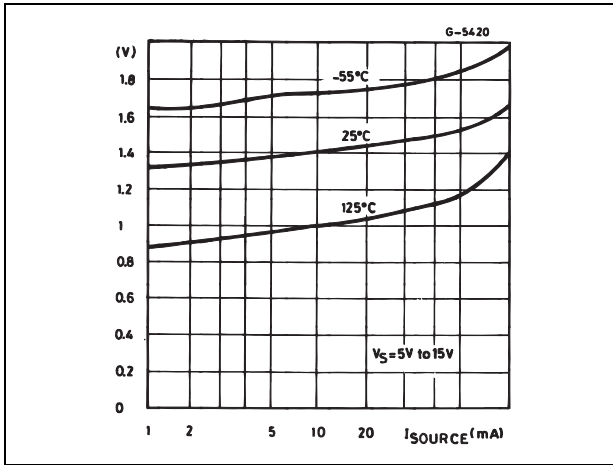


Figure 10. Delay time versus supply voltage

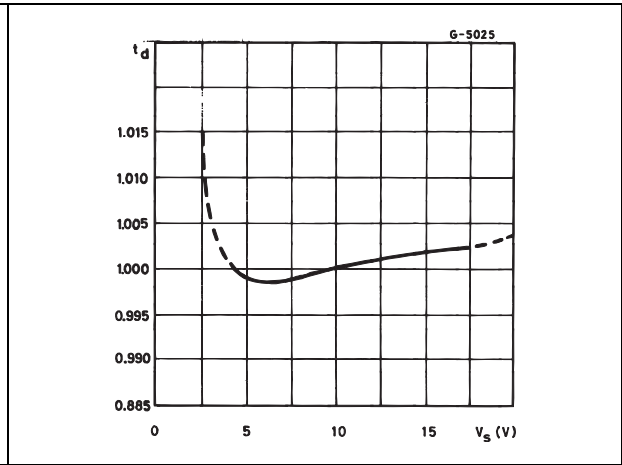
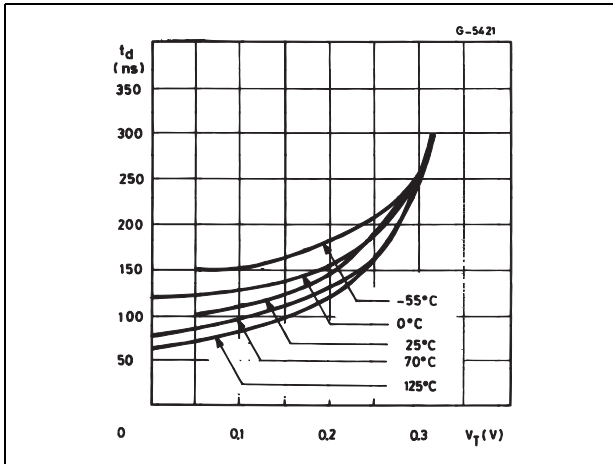


Figure 11. Propagation delay versus voltage level of trigger value



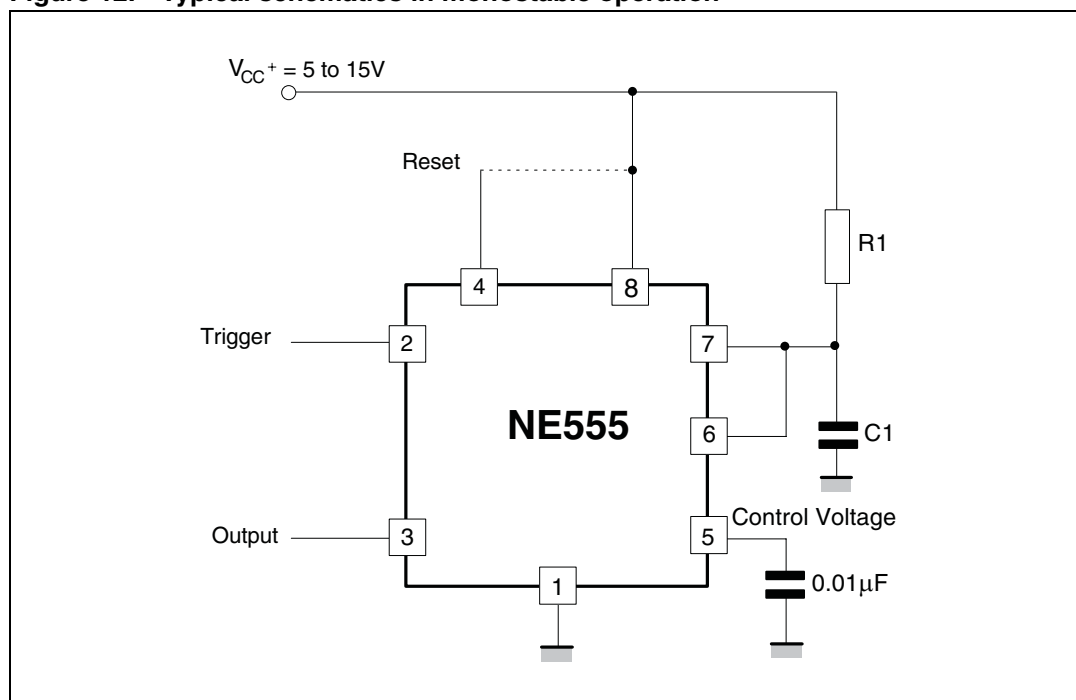


## 4 Application information

### 4.1 Monostable operation

In the monostable mode, the timer generates a single pulse. As shown in [Figure 12](#), the external capacitor is initially held discharged by a transistor inside the timer.

**Figure 12. Typical schematics in monostable operation**



The circuit triggers on a negative-going input signal when the level reaches  $1/3 V_{CC}$ . Once triggered, the circuit remains in this state until the set time has elapsed, even if it is triggered again during this interval. The duration of the output HIGH state is given by  $t = 1.1 R_1 C_1$  and is easily determined by [Figure 14](#).

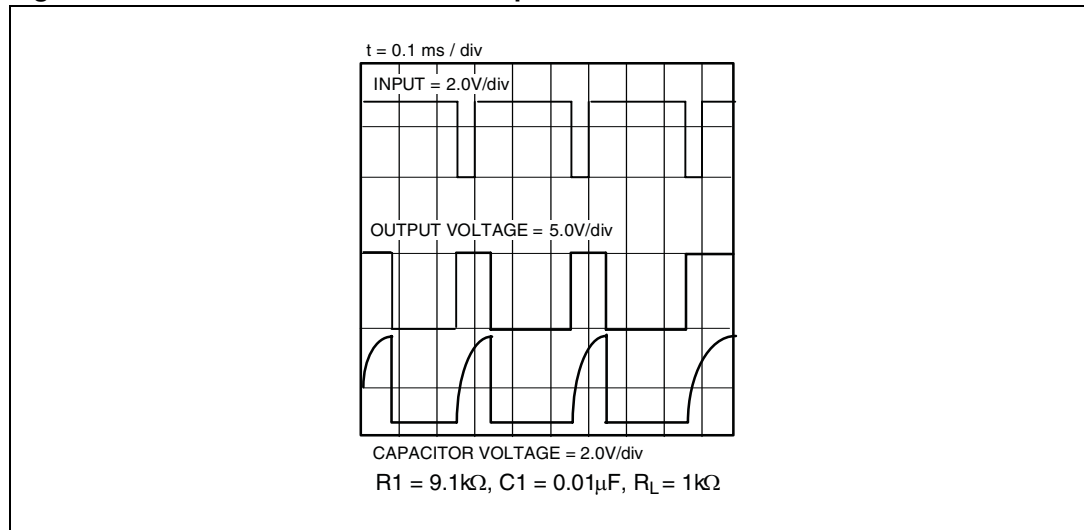
Note that because the charge rate and the threshold level of the comparator are both directly proportional to supply voltage, the timing interval is independent of supply. Applying a negative pulse simultaneously to the reset terminal (pin 4) and the trigger terminal (pin 2) during the timing cycle discharges the external capacitor and causes the cycle to start over. The timing cycle now starts on the positive edge of the reset pulse. During the time the reset pulse is applied, the output is driven to its LOW state.

When a negative trigger pulse is applied to pin 2, the flip-flop is set, releasing the short-circuit across the external capacitor and driving the output HIGH. The voltage across the capacitor increases exponentially with the time constant  $t = R_1 C_1$ . When the voltage across the capacitor equals  $2/3 V_{CC}$ , the comparator resets the flip-flop which then discharges the capacitor rapidly and drives the output to its LOW state.

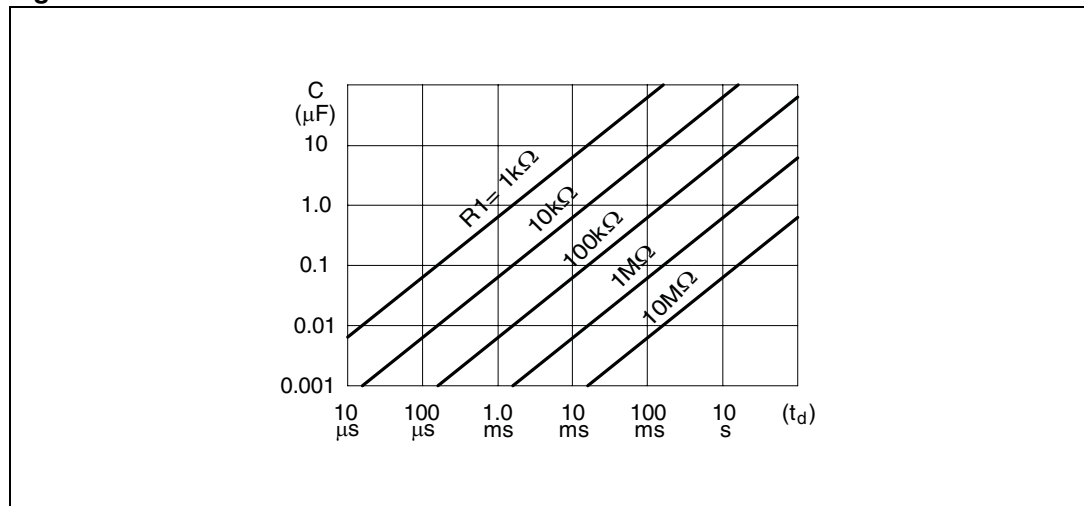
[Figure 13](#) shows the actual waveforms generated in this mode of operation.

When Reset is not used, it should be tied high to avoid any possibility of unwanted triggering.

**Figure 13. Waveforms in monostable operation**



**Figure 14. Pulse duration versus R1C1**



## 4.2 Astable operation

When the circuit is connected as shown in [Figure 15](#) (pins 2 and 6 connected) it triggers itself and free runs as a multi-vibrator. The external capacitor charges through  $R_1$  and  $R_2$  and discharges through  $R_2$  only. Thus the duty cycle can be set accurately by adjusting the ratio of these two resistors.

In the astable mode of operation,  $C_1$  charges and discharges between  $1/3 V_{CC}$  and  $2/3 V_{CC}$ . As in the triggered mode, the charge and discharge times and, therefore, frequency are independent of the supply voltage.

Figure 15. Typical schematics in astable operation

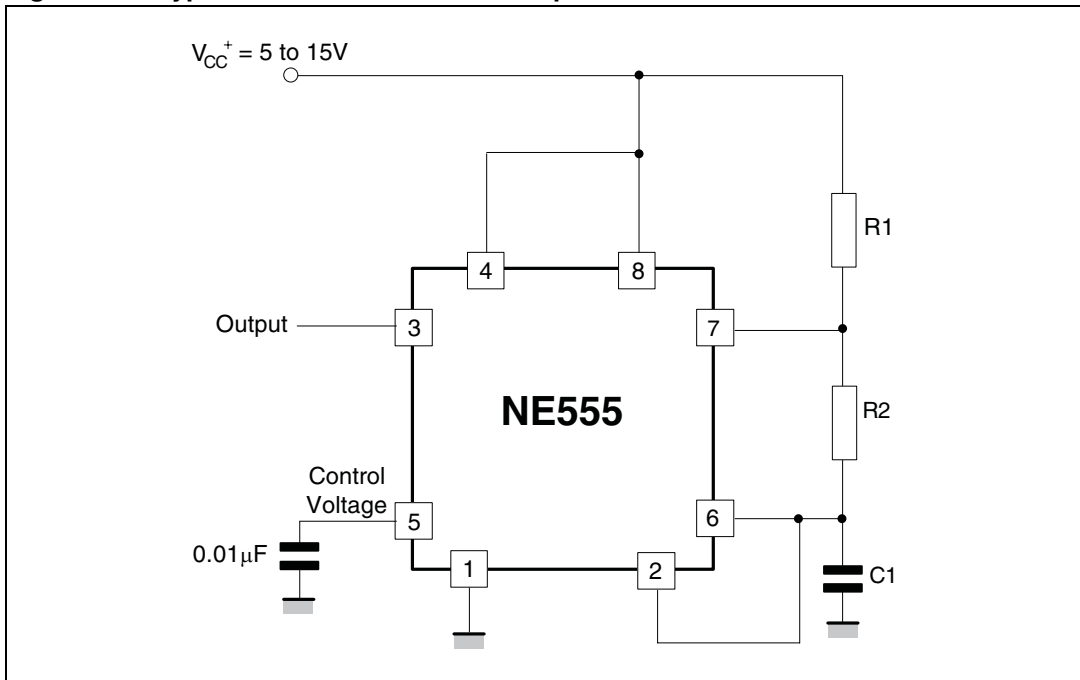


Figure 16 shows the actual waveforms generated in this mode of operation.

The charge time (output HIGH) is given by:

$$t1 = 0.693 (R1 + R2) C1$$

and the discharge time (output LOW) by:

$$t2 = 0.693 (R2) C1$$

Thus the total period T is given by:

$$T = t1 + t2 = 0.693 (R1 + 2R2) C1$$

The frequency of oscillation is then:

$$f = \frac{1}{T} = \frac{1.44}{(R1 + 2R2)C1}$$

It can easily be found from Figure 17.

The duty cycle is given by:

$$\frac{t1}{(t1 + t2)} = \frac{(R1 + R2)}{(R1 + 2 \cdot R2)} = 1 - \left[ \frac{R2}{(R1 + R2)} \right]$$

Figure 16. Waveforms in astable operation

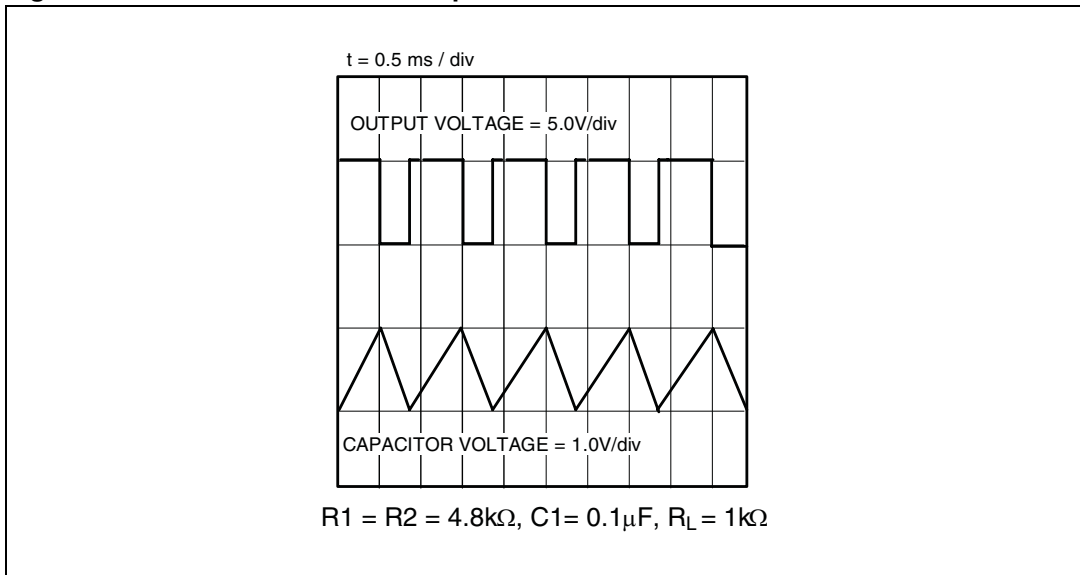
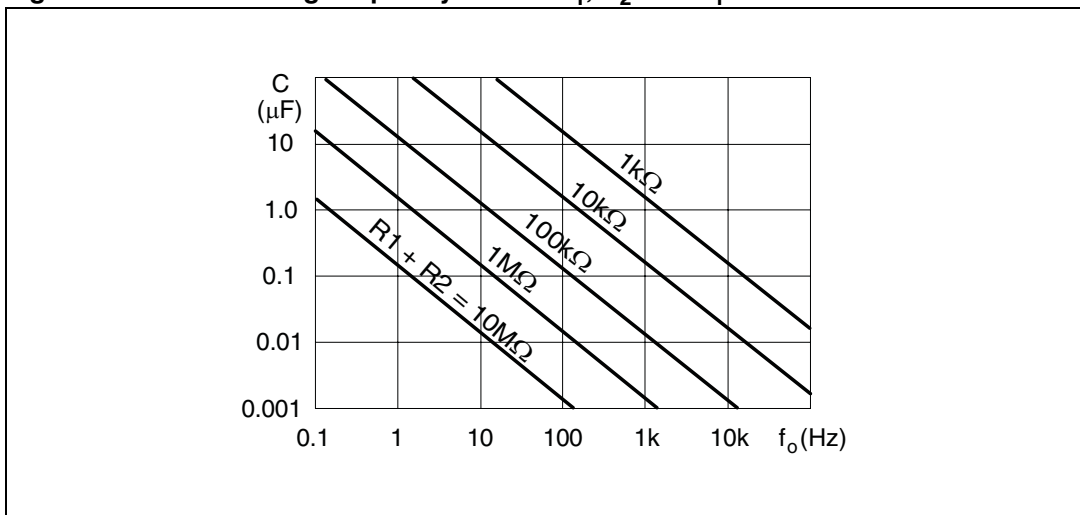


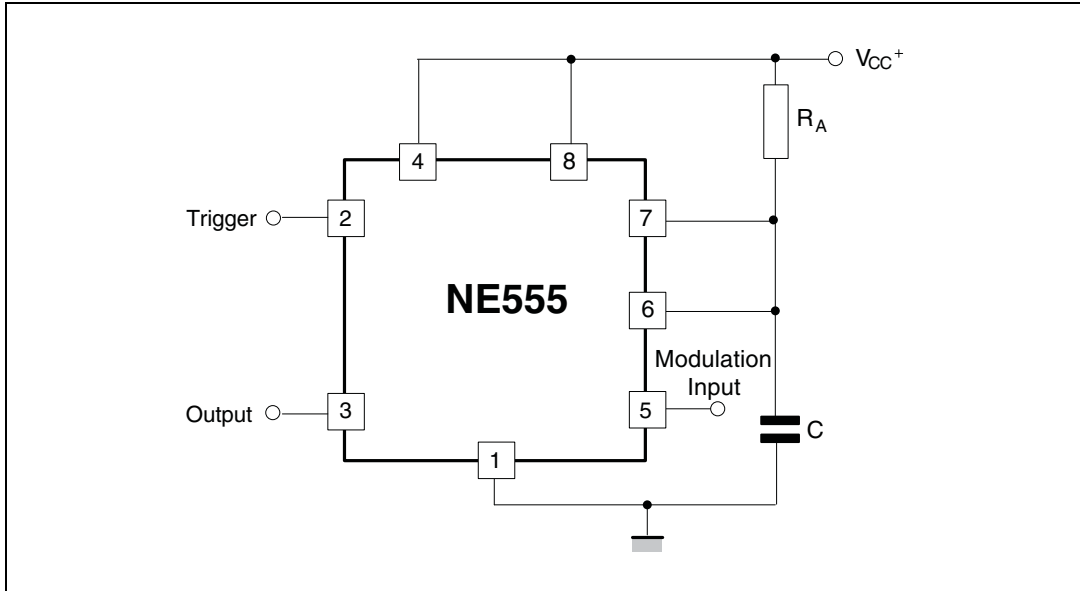
Figure 17. Free running frequency versus  $R_1, R_2$  and  $C_1$



### 4.3 Pulse width modulator

When the timer is connected in the monostable mode and triggered with a continuous pulse train, the output pulse width can be modulated by a signal applied to pin 5. *Figure 18* shows the circuit.

**Figure 18. Pulse width modulator**



### 4.4 Linear ramp

When the pull-up resistor,  $R_A$ , in the monostable circuit is replaced by a constant current source, a linear ramp is generated. *Figure 19* shows a circuit configuration that will perform this function.

**Figure 19. Linear ramp**

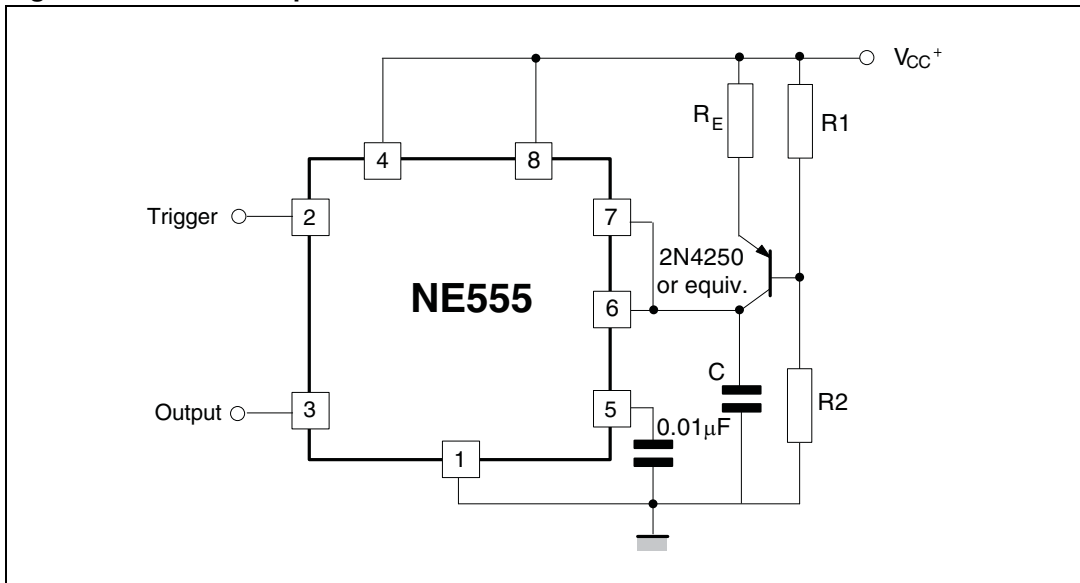
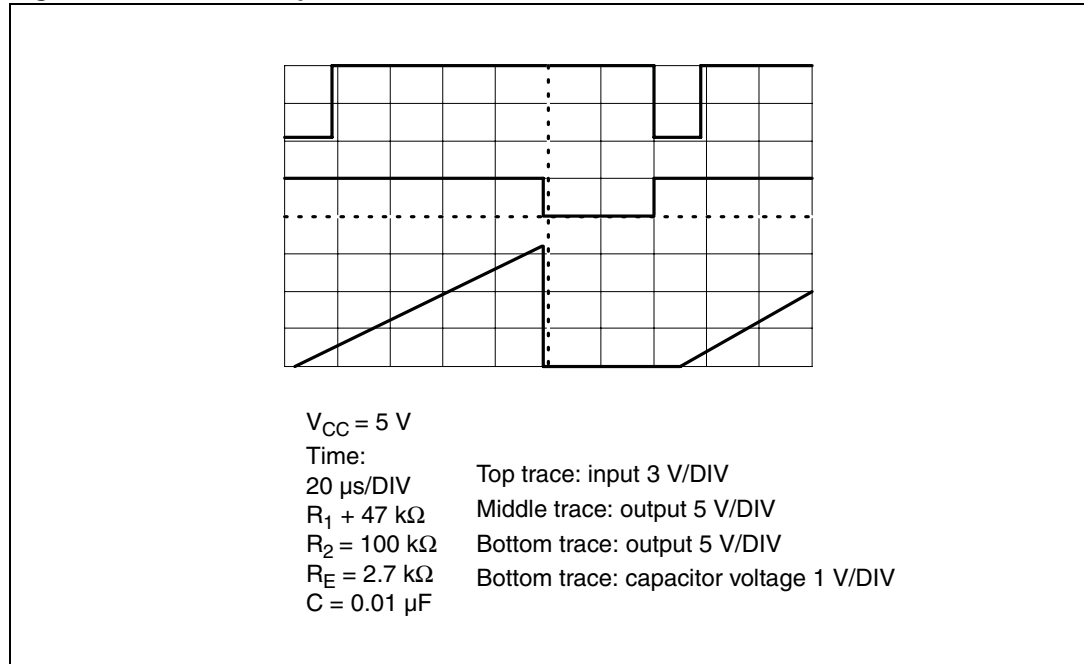


Figure 20 shows the waveforms generator by the linear ramp.

The time interval is given by:

$$T = \frac{(2/3 V_{CC} R_E (R_1+R_2) C}{R_1 V_{CC} - V_{BE} (R_1+R_2)} \quad V_{BE} = 0.6V$$

Figure 20. Linear ramp



## 4.5 50% duty cycle oscillator

For a 50% duty cycle, the resistors  $R_A$  and  $R_B$  can be connected as in Figure 21. The time period for the output high is the same as for astable operation (see Section 4.2 on page 9):

$$t_1 = 0.693 R_A C$$

For the output low it is

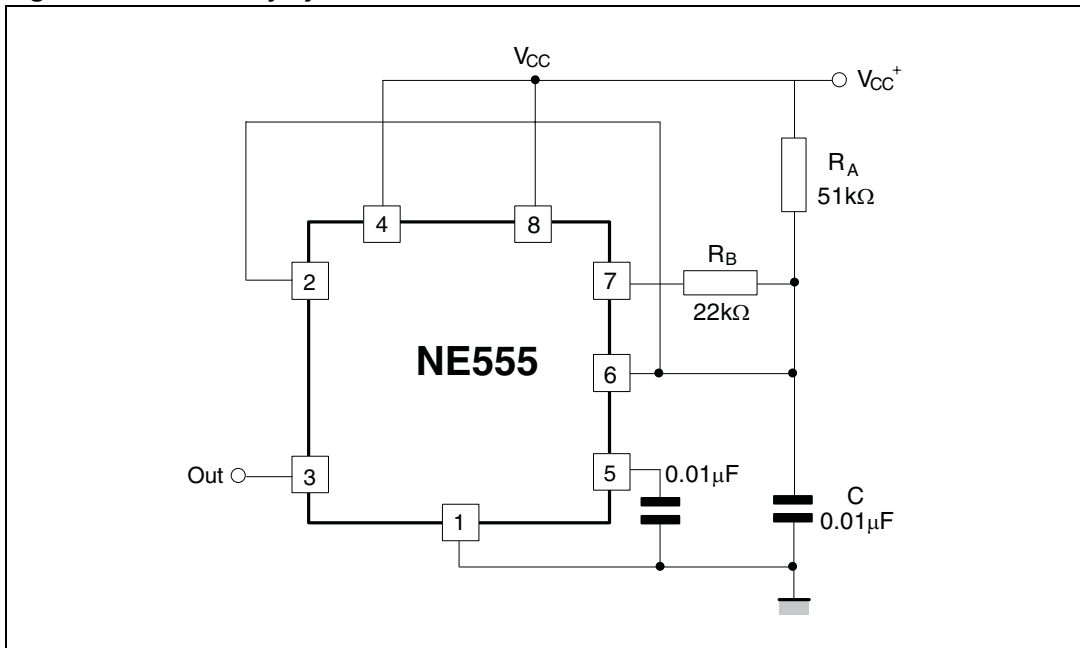
$$t_2 = [(R_1 R_B)/(R_A + R_B)] \cdot C \cdot \ln \left[ \frac{R_B - 2R_A}{2R_B - R_A} \right]$$

Thus the frequency of oscillation is:

$$f = \frac{1}{t_1 + t_2}$$



Figure 21. 50% duty cycle oscillator



Note that this circuit will not oscillate if  $R_B$  is greater than  $1/2 R_A$  because the junction of  $R_A$  and  $R_B$  cannot bring pin 2 down to  $1/3 V_{CC}$  and trigger the lower comparator.

#### 4.6 Additional information

Adequate power supply bypassing is necessary to protect associated circuitry. The minimum recommended is  $0.1 \mu F$  in parallel with  $1 \mu F$  electrolytic.

## 5 Package information

In order to meet environmental requirements, ST offers these devices in different grades of ECOPACK<sup>®</sup> packages, depending on their level of environmental compliance. ECOPACK<sup>®</sup> specifications, grade definitions and product status are available at: [www.st.com](http://www.st.com). ECOPACK<sup>®</sup> is an ST trademark.

### 5.1 DIP8 package information

Figure 22. DIP8 package mechanical drawing

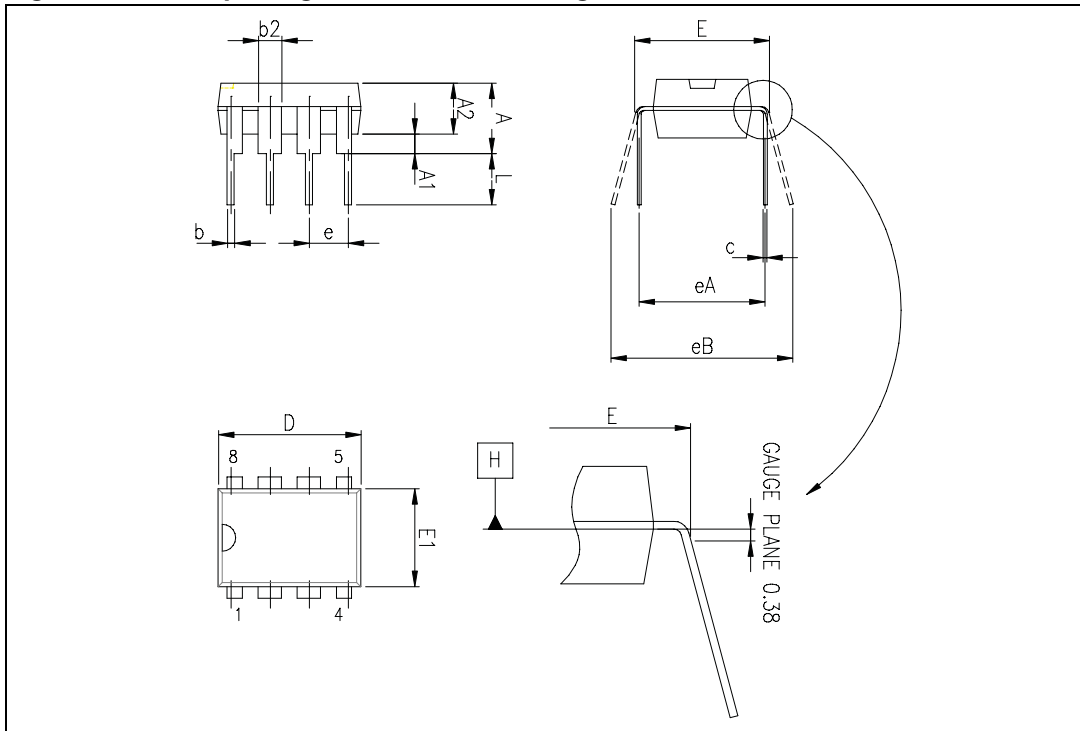


Table 4. DIP8 package mechanical data

Ref.	Dimensions					
	Millimeters			Inches		
	Min.	Typ.	Max.	Min.	Typ.	Max.
A			5.33			0.210
A1	0.38			0.015		
A2	2.92	3.30	4.95	0.115	0.130	0.195
b	0.36	0.46	0.56	0.014	0.018	0.022
b2	1.14	1.52	1.78	0.045	0.060	0.070
c	0.20	0.25	0.36	0.008	0.010	0.014
D	9.02	9.27	10.16	0.355	0.365	0.400
E	7.62	7.87	8.26	0.300	0.310	0.325
E1	6.10	6.35	7.11	0.240	0.250	0.280
e		2.54			0.100	
eA		7.62			0.300	
eB			10.92			0.430
L	2.92	3.30	3.81	0.115	0.130	0.150

## 5.2 SO-8 package information

Figure 23. SO-8 package mechanical drawing

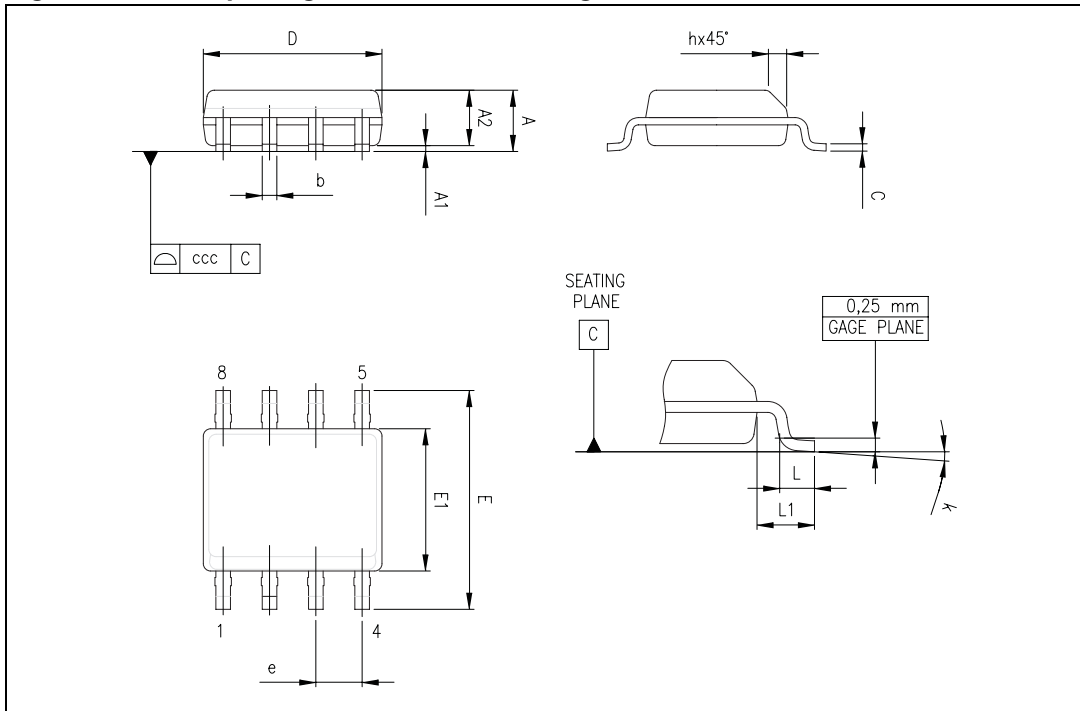


Table 5. SO-8 package mechanical data

Ref.	Dimensions					
	Millimeters			Inches		
	Min.	Typ.	Max.	Min.	Typ.	Max.
A			1.75			0.069
A1	0.10		0.25	0.004		0.010
A2	1.25			0.049		
b	0.28		0.48	0.011		0.019
c	0.17		0.23	0.007		0.010
D	4.80	4.90	5.00	0.189	0.193	0.197
E	5.80	6.00	6.20	0.228	0.236	0.244
E1	3.80	3.90	4.00	0.150	0.154	0.157
e		1.27			0.050	
h	0.25		0.50	0.010		0.020
L	0.40		1.27	0.016		0.050
L1		1.04			0.040	
k	0		8°	1°		8°
ccc			0.10			0.004

## 6 Ordering information

**Table 6. Order codes**

Part number	Temperature range	Package	Packing	Marking
NE555N	0 °C, +70 °C	DIP8	Tube	NE555N
NE555D <sup>(1)</sup> /DT		SO-8	Tube <sup>(1)</sup> or tape & reel	NE555
SA555N	-40 °C, +105 °C	DIP8	Tube	SA555N
SA555D <sup>(1)</sup> /DT		SO-8	Tube <sup>(1)</sup> or tape & reel	SA555
SE555N	-55 °C, + 125 °C	DIP8	Tube	SE555N
SE555D <sup>(1)</sup> /DT		SO-8	Tube <sup>(1)</sup> or tape & reel	SE555

1. Not recommended for new design. Contact local ST sales office for availability.

## 7 Revision history

**Table 7. Document revision history**

Date	Revision	Changes
01-Jun-2003	1	Initial release.
2004-2006	2-3	Internal revisions
15-Mar-2007	4	Expanded order code table. Template update.
06-Nov-2008	5	Added I <sub>OUT</sub> value in <a href="#">Table 1: Absolute maximum ratings</a> and <a href="#">Table 2: Operating conditions</a> . Added ESD tolerance, latch-up tolerance, R <sub>thja</sub> and R <sub>thjc</sub> in <a href="#">Table 1: Absolute maximum ratings</a> .
04-Jan-2012	6	Modified duty cycle equation in <a href="#">Section 4.2: Astable operation</a> . Updated ECOPACK® text in <a href="#">Section 5: Package information</a> . Added footnote 1 to <a href="#">Table 6: Order codes</a> as shipping method in tubes is not recommended for new design.



**Please Read Carefully:**

Information in this document is provided solely in connection with ST products. STMicroelectronics NV and its subsidiaries ("ST") reserve the right to make changes, corrections, modifications or improvements, to this document, and the products and services described herein at any time, without notice.

All ST products are sold pursuant to ST's terms and conditions of sale.

Purchasers are solely responsible for the choice, selection and use of the ST products and services described herein, and ST assumes no liability whatsoever relating to the choice, selection or use of the ST products and services described herein.

No license, express or implied, by estoppel or otherwise, to any intellectual property rights is granted under this document. If any part of this document refers to any third party products or services it shall not be deemed a license grant by ST for the use of such third party products or services, or any intellectual property contained therein or considered as a warranty covering the use in any manner whatsoever of such third party products or services or any intellectual property contained therein.

**UNLESS OTHERWISE SET FORTH IN ST'S TERMS AND CONDITIONS OF SALE ST DISCLAIMS ANY EXPRESS OR IMPLIED WARRANTY WITH RESPECT TO THE USE AND/OR SALE OF ST PRODUCTS INCLUDING WITHOUT LIMITATION IMPLIED WARRANTIES OF MERCHANTABILITY, FITNESS FOR A PARTICULAR PURPOSE (AND THEIR EQUIVALENTS UNDER THE LAWS OF ANY JURISDICTION), OR INFRINGEMENT OF ANY PATENT, COPYRIGHT OR OTHER INTELLECTUAL PROPERTY RIGHT.**

**UNLESS EXPRESSLY APPROVED IN WRITING BY TWO AUTHORIZED ST REPRESENTATIVES, ST PRODUCTS ARE NOT RECOMMENDED, AUTHORIZED OR WARRANTED FOR USE IN MILITARY, AIR CRAFT, SPACE, LIFE SAVING, OR LIFE SUSTAINING APPLICATIONS, NOR IN PRODUCTS OR SYSTEMS WHERE FAILURE OR MALFUNCTION MAY RESULT IN PERSONAL INJURY, DEATH, OR SEVERE PROPERTY OR ENVIRONMENTAL DAMAGE. ST PRODUCTS WHICH ARE NOT SPECIFIED AS "AUTOMOTIVE GRADE" MAY ONLY BE USED IN AUTOMOTIVE APPLICATIONS AT USER'S OWN RISK.**

Resale of ST products with provisions different from the statements and/or technical features set forth in this document shall immediately void any warranty granted by ST for the ST product or service described herein and shall not create or extend in any manner whatsoever, any liability of ST.

ST and the ST logo are trademarks or registered trademarks of ST in various countries.

Information in this document supersedes and replaces all information previously supplied.

The ST logo is a registered trademark of STMicroelectronics. All other names are the property of their respective owners.

© 2012 STMicroelectronics - All rights reserved

STMicroelectronics group of companies

Australia - Belgium - Brazil - Canada - China - Czech Republic - Finland - France - Germany - Hong Kong - India - Israel - Italy - Japan - Malaysia - Malta - Morocco - Philippines - Singapore - Spain - Sweden - Switzerland - United Kingdom - United States of America

[www.st.com](http://www.st.com)