



Chipsmall Limited consists of a professional team with an average of over 10 year of expertise in the distribution of electronic components. Based in Hongkong, we have already established firm and mutual-benefit business relationships with customers from,Europe,America and south Asia,supplying obsolete and hard-to-find components to meet their specific needs.

With the principle of “Quality Parts,Customers Priority,Honest Operation,and Considerate Service”,our business mainly focus on the distribution of electronic components. Line cards we deal with include Microchip,ALPS,ROHM,Xilinx,Pulse,ON,Everlight and Freescale. Main products comprise IC,Modules,Potentiometer,IC Socket,Relay,Connector.Our parts cover such applications as commercial,industrial, and automotives areas.

We are looking forward to setting up business relationship with you and hope to provide you with the best service and solution. Let us make a better world for our industry!



Contact us

Tel: +86-755-8981 8866 Fax: +86-755-8427 6832

Email & Skype: info@chipsmall.com Web: www.chipsmall.com

Address: A1208, Overseas Decoration Building, #122 Zhenhua RD., Futian, Shenzhen, China

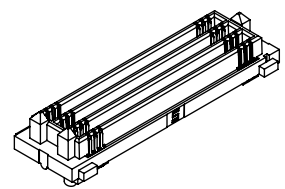
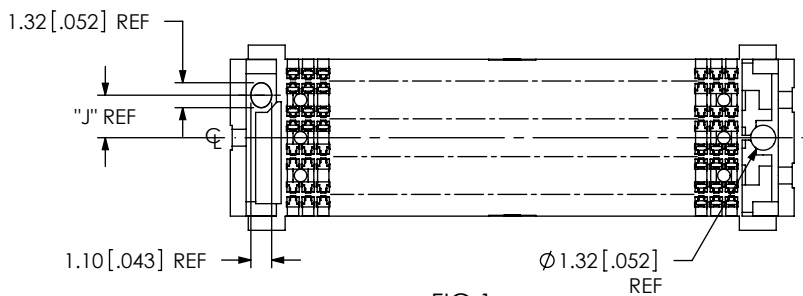
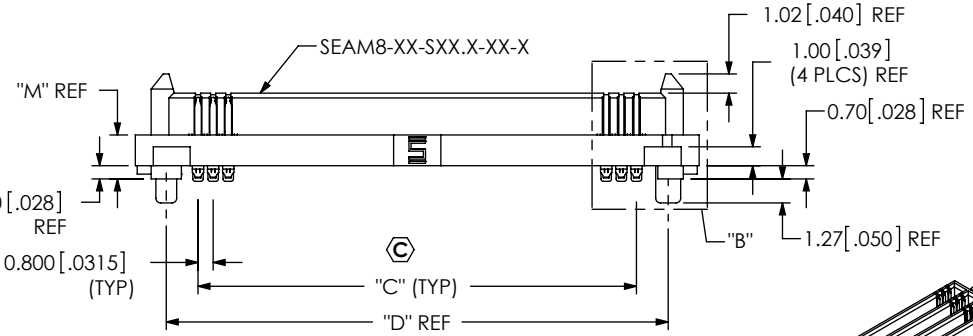
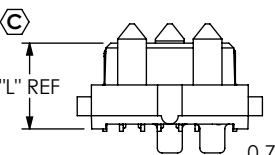
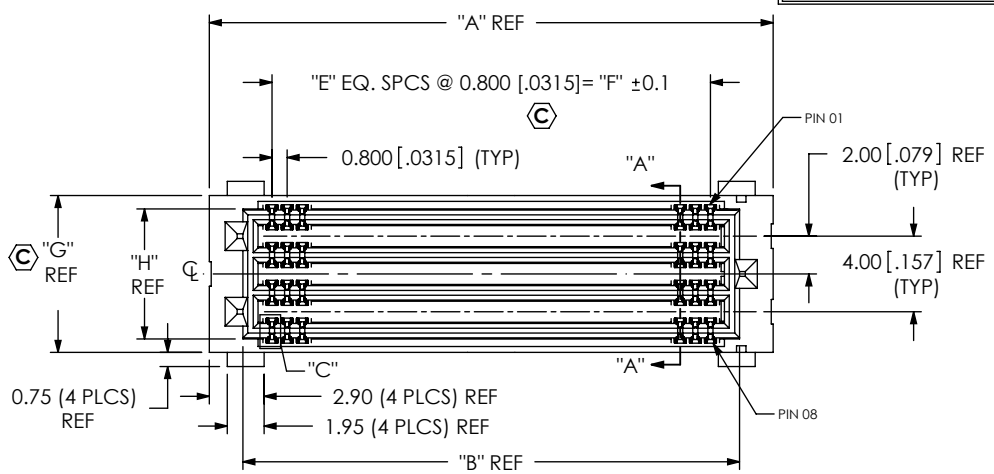


DESIGNED & DIMENSIONED IN MILLIMETERS [INCHES]

PATENT NUMBER 7837522
ADDITIONAL PATENTS PENDING

SEAM8-XX-SXX.X-X-XX-X-XX-K

DO NOT SCALE FROM THIS PRINT



No OF POSITIONS
-10, -20, -30, -40, -50, ***-60 (PER ROW)

LEADSTYLE
-S02.0= 2.0mm
-S05.0= 5.0mm

PLATING SPECIFICATION
-S: .000030" SELECTIVE GOLD IN CONTACT AREA, MATTE TIN ON TAIL
-L: .000010" LIGHT SELECTIVE GOLD IN CONTACT AREA, MATTE TIN ON TAIL

ROW
-04: 4 ROWS
-06: 6 ROWS
-08: 8 ROWS (SEE NOTE 11)
-10: 10 ROWS (SEE NOTE 11)
**-12: 12 ROWS (SEE NOTE 13)

K DOT
(SEE SHT 4, FIG. 3) (SEE NOTE 14)
DOT APPLICATOR-KAPTON TAPE

OPTIONS
-GP= GUIDE POST (SEE SHT 3, FIG 2) (ONLY AVAIL. ON -S02.0 LEADSTYLE) (RELEASED ON THE -04, -08 & -10 ROWS (NOT TOOLED ON -06 ROW) (FOR MATING WITH SEAF8-...-RA-GP ONLY)

SOLDER COMPOSITION & STYLE
*-1: 63.0% TIN / 37.0% LEAD CHARGE TAIL
-2: 95.5% TIN / 3.8% SILVER / 0.7% COPPER CHARGE TAIL

(* = NOT TOOLED)
(** = NOT ENGINEERING APPROVED)
(*** = NOT ENGINEERING APPROVED, NOT TOOLED FOR -04, -06 & -08 ROWS)

LEAD STYLE	"L"	"M"
-S02.0	4.54 [0.179]	2.33 [0.092]
-S05.0	7.54 [0.297]	5.33 [0.210]

SEAF8 LEAD STYLE	STACK HEIGHT	
	SEAM8 LEAD STYLE	
-05.0 [0.197]	7.0 [0.276]	10.0 [0.394]

No. OF ROWS	"G"	"H"	"J"
-04	4.30 [0.169]	2.88 [0.113]	1.25 [0.049]
-06	6.30 [0.248]	4.88 [0.192]	2.25 [0.089]
-08 (SEE NOTE 11)	8.30 [0.327]	6.88 [0.271]	2.25 [0.089]
-10 (SEE NOTE 11)	10.30 [0.406]	8.88 [0.350]	2.25 [0.089]
** -12	12.30 [0.484]	10.88 [0.428]	2.25 [0.089]

SEAM8 ASSY	BODY CALLOUT	TERMINAL SUB ASSY
SEAM8-XX-S02.0-X-XX-X-XX	SEAM8-XX-S02.0-X-X	SUB-T-1M71-02.0-X-X
SEAM8-XX-S05.0-X-XX-X-XX	SEAM8-XX-S05.0-X-X	SUB-T-1M71-05.0-X-X

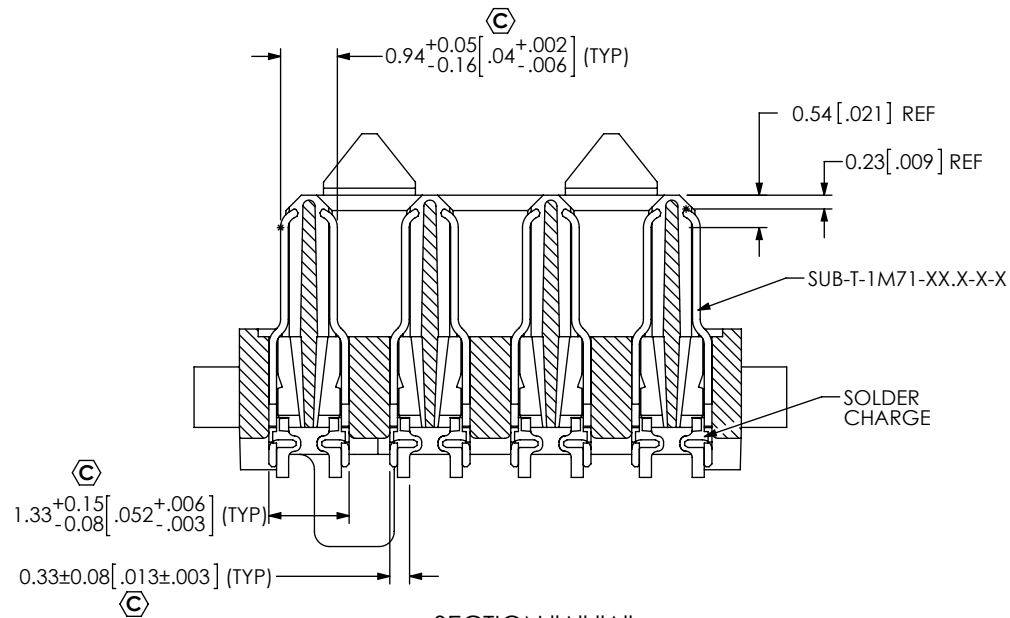
No. OF POS. PER ROW	"A"	"B"	"C"	"D"	"E"	"F"
-10	13.84 [0.545]	10.28 [0.405]	7.20 [0.283]	10.56 [0.416]	9	7.200 [0.2835]
-20	21.84 [0.860]	18.28 [0.720]	15.20 [0.598]	18.56 [0.731]	19	15.200 [0.5984]
-30	29.84 [1.175]	26.28 [1.035]	23.20 [0.913]	26.56 [1.046]	29	23.200 [0.9134]
-40	37.84 [1.490]	34.28 [1.350]	31.20 [1.228]	34.56 [1.361]	39	31.200 [1.2283]
-50	45.84 [1.805]	42.28 [1.665]	39.20 [1.543]	42.56 [1.676]	49	39.200 [1.5433]
***-60	53.84 [2.120]	50.28 [1.980]	47.20 [1.858]	50.56 [1.991]	49	47.200 [1.8583]

(*** = NOT ENGINEERING APPROVED, NOT TOOLED FOR -04, -06 & -08 ROWS)

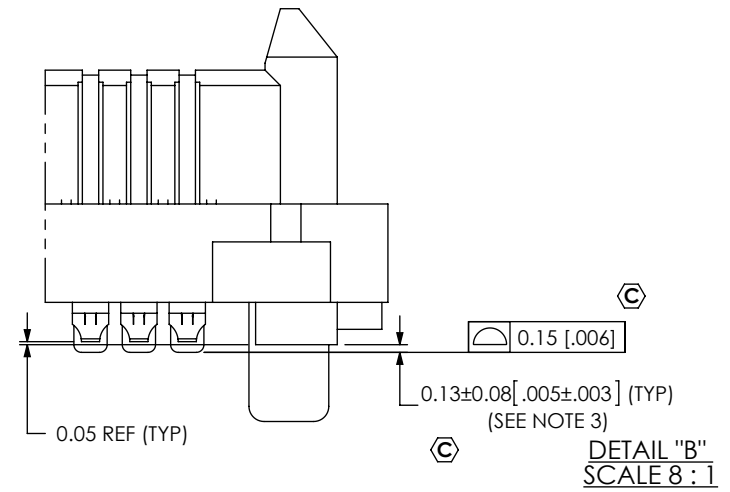
FIG 1 (SEAM8-30-S02.0-X-08-X-XX-K SHOWN) (SOME CENTER FEATURES REMOVED FOR CLARITY)

- NOTES:
1. (C) REPRESENTS A CRITICAL DIMENSION.
 2. PUSH OUT FORCE 1.6N [.36 LBS.]
 3. DIMENSION TO BE MEASURED IN ALL FOUR CORNERS TO THE STAND-OFFS.
 4. TAPE & REEL IS STANDARD PACKAGING.
 5. FOR QUANTITIES UP TO 49 PCS., NO LEADER, TRAILER OR REEL WILL BE SUPPLIED.
 6. FOR QUANTITIES OF 50-124 PCS., NO LEADER OR TRAILER WILL BE SUPPLIED, SPLICES MAY BE PRESENT.
 7. DELETED NOTE
 8. ATTACH LABEL "SEAX-0001" TO EACH TAPE & REEL PACKAGE.
 9. MAXIMUM ROW TO ROW VARIATION 0.08 [0.003], MEASURED FIRST AND LAST POSITIONS ONLY, ALL ROWS.
 10. MINIMUM GUIDE POST PUSH OUT FORCE: 4.0LBS [17.8N]
 11. CENTER MACHINE LUGS ON -S02.0 -40, -50 & -60 POSITIONS ONLY.
 12. -08 & -10 ROWS ARE RELEASED FOR NITROGEN ENVIRONMENT PROCESSING ONLY. NOT RECOMMENDED FOR AIR ONLY PROCESSING.
 13. NOTE DELETED.
 14. ONLY TOOLED ON -S02.0 LEAD STYLE AND ONLY AVAILABLE IN -50 & -60 POSITIONS.
 15. K DOT WILL BE SUPPLIED WHETHER OR NOT -K IS SPECIFIED.

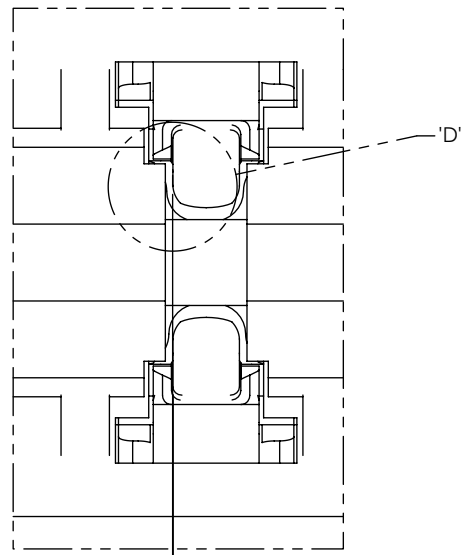
UNLESS OTHERWISE SPECIFIED, DIMENSIONS ARE IN MILLIMETERS [INCHES]. TOLERANCES ARE: DECIMALS ANGLES X.X: ±0.3 [0.1] X.XX: ±0.13 [0.05] X.XXX: ±0.051 [0.020]	PROPRIETARY NOTE THIS DOCUMENT CONTAINS CONFIDENTIAL AND PROPRIETARY INFORMATION AND ALL DESIGN, MANUFACTURING, REPRODUCTION, USE, PATENT RIGHTS AND SALES RIGHTS ARE EXPRESSLY RESERVED BY SAMTEC, INC. THIS DOCUMENT SHALL NOT BE DISCLOSED, IN WHOLE OR PART, TO ANY UNAUTHORIZED PERSON OR ENTITY NOR REPRODUCED, TRANSFERRED OR INCORPORATED IN ANY OTHER PROJECT IN ANY MANNER WITHOUT THE EXPRESS WRITTEN CONSENT OF SAMTEC, INC.	 520 PARK EAST BLVD, NEW ALBANY, IN 47150 PHONE: 812-944-6733 FAX: 812-948-5047 e-Mail: info@SAMTEC.com code 53322
MATERIAL: DO NOT SCALE DRAWING SHEET SCALE: 2:1 INSULATOR: LCP, COLOR: BLACK TERMINAL: COPPER ALLOY GUIDE POST: BRASS	DESCRIPTION: 0.8MM PITCH TERMINAL ARRAY ASSY	
	DWG. NO. SEAM8-XX-SXX.X-X-XX-X-XX-K	
	BY: KNOWLDEN 12/29/08	SHEET 1 OF 4



SECTION "A"-"A"
SCALE 8:1
(VIEW ROTATED 90° CW)



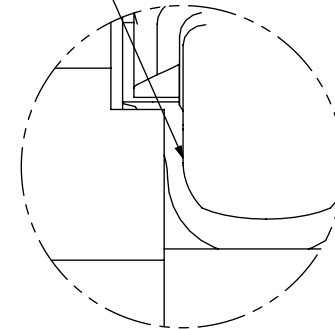
DETAIL "B"
SCALE 8:1



0.10 MAX
(MEASURE FROM BEAM EDGES)

DETAIL "C"
SCALE 40:1

MEASUREMENTS TAKEN FROM BEAM EDGE



DETAIL "D"
SCALE 100:1

PROPRIETARY NOTE
THIS DOCUMENT CONTAINS CONFIDENTIAL AND PROPRIETARY INFORMATION AND ALL DESIGN, MANUFACTURING, REPRODUCTION, USE, PATENT RIGHTS AND SALES RIGHTS ARE EXPRESSLY RESERVED BY SAMTEC, INC. THIS DOCUMENT SHALL NOT BE DISCLOSED, IN WHOLE OR PART, TO ANY UNAUTHORIZED PERSON OR ENTITY NOR REPRODUCED, TRANSFERRED OR INCORPORATED IN ANY OTHER PROJECT IN ANY MANNER WITHOUT THE EXPRESS WRITTEN CONSENT OF SAMTEC, INC.

DO NOT SCALE DRAWING

SHEET SCALE: 2:1

samtec

520 PARK EAST BLVD, NEW ALBANY, IN 47150
PHONE: 812-944-6733 FAX: 812-948-5047
e-Mail info@SAMTEC.com code 55322

DESCRIPTION:
0.8MM PITCH TERMINAL ARRAY ASSY

DWG. NO.
SEAM8-XX-SXX.X-X-XX-X-XX-K

BY: KNOWLDEN 12/29/08 SHEET 2 OF 4

TABLE 10	
No. OF ROWS	"T"
-04	2.80 [0.110]
*-06	4.00 [0.157]
-08 (SEE NOTE 11)	6.00 [0.236]
-10 (SEE NOTE 11)	6.00 [0.236]
**12	6.00 [0.236]

(* = NOT TOOLED)
(** = NOT ENGINEERING APPROVED)

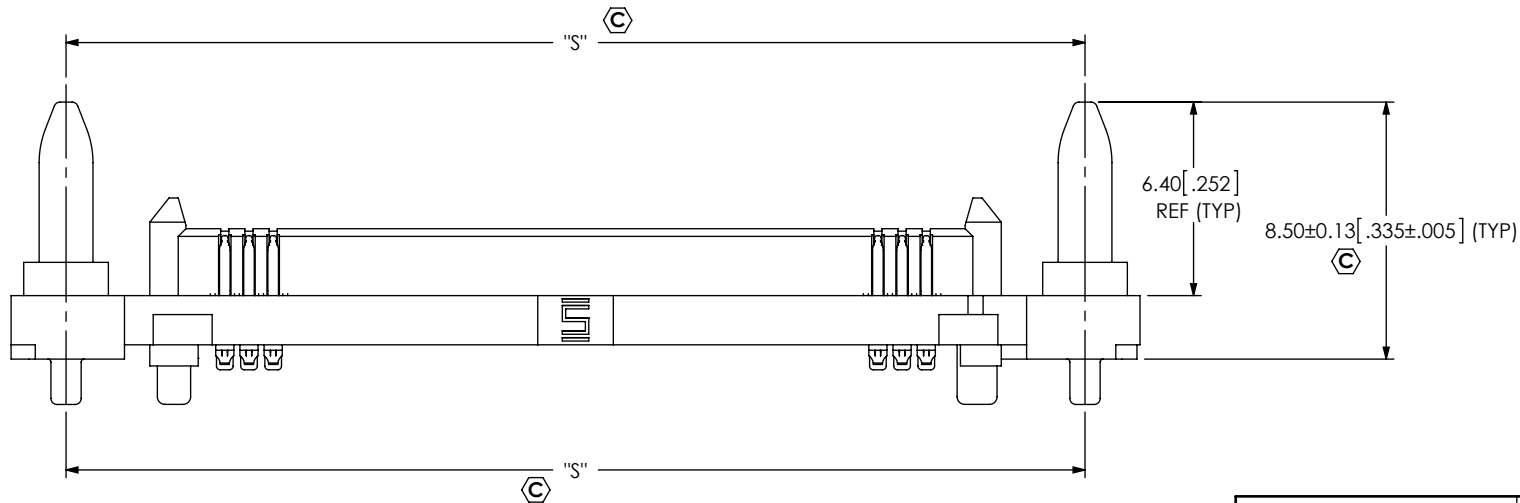
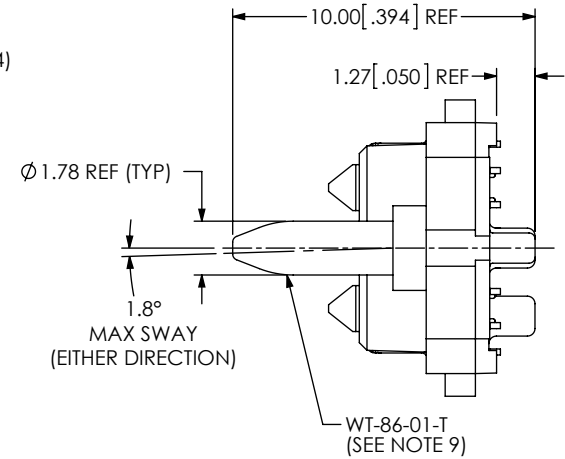
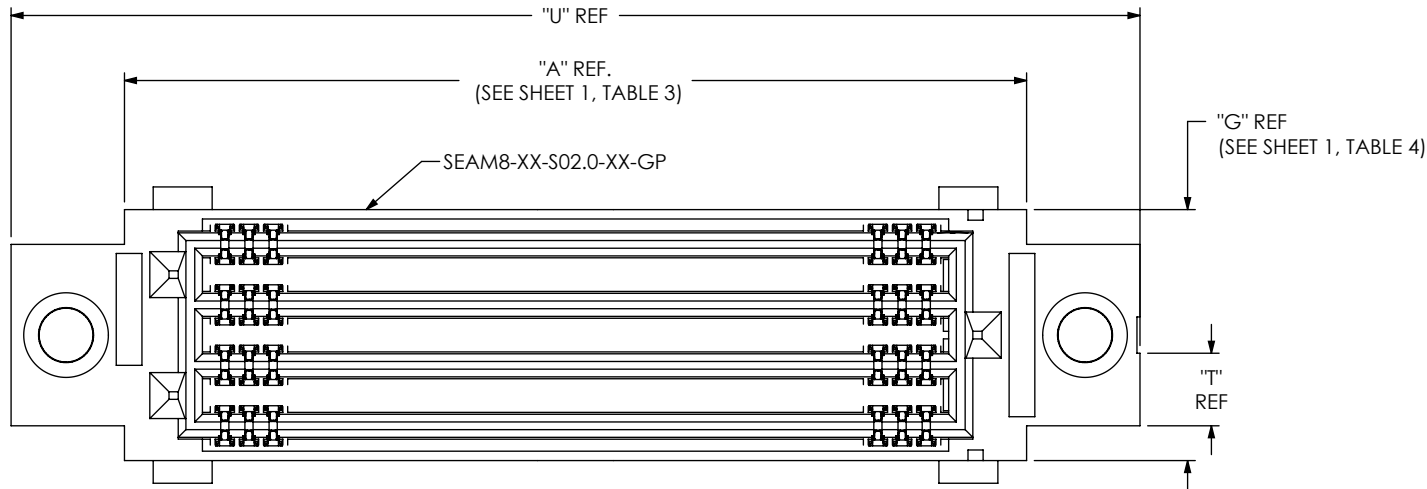


TABLE 9		
No. OF POS. PER ROW	"S"	"U"
-10	17.70 [0.697]	21.34 [0.840]
-20	25.70 [1.012]	29.34 [1.155]
-30	33.70 [1.327]	37.34 [1.470]
-40	41.70 [1.642]	45.34 [1.785]
-50	49.70 [1.957]	53.34 [2.100]
***-60	57.70 [2.272]	61.34 [2.415]

(*** = NOT ENGINEERING APPROVED, NOT TOOLED FOR -04, -06 & -08 ROWS)

FIG 2
-GP (GUIDE POST OPTION)
(SEAM8-XX-S02.0-X-XX-X-GP-K SHOWN)
(SOME CENTER FEATURES REMOVED FOR CLARITY)

PROPRIETARY NOTE
THIS DOCUMENT CONTAINS CONFIDENTIAL AND PROPRIETARY INFORMATION AND ALL DESIGN, MANUFACTURING, REPRODUCTION, USE, PATENT RIGHTS AND SALES RIGHTS ARE EXPRESSLY RESERVED BY SAMTEC, INC. THIS DOCUMENT SHALL NOT BE DISCLOSED, IN WHOLE OR PART, TO ANY UNAUTHORIZED PERSON OR ENTITY NOR REPRODUCED, TRANSFERRED OR INCORPORATED IN ANY OTHER PROJECT IN ANY MANNER WITHOUT THE EXPRESS WRITTEN CONSENT OF SAMTEC, INC.

DO NOT SCALE DRAWING

SHEET SCALE: 2:1

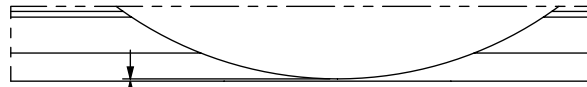
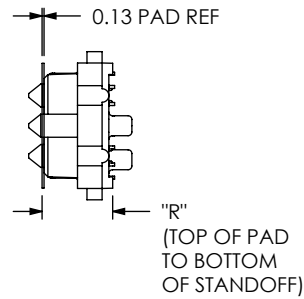
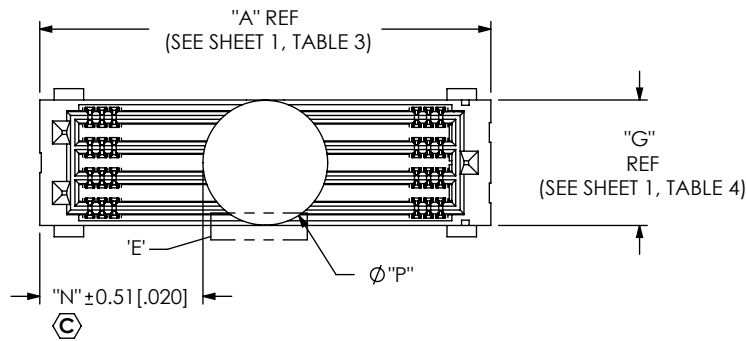


520 PARK EAST BLVD. NEW ALBANY, IN 47150
PHONE: 812-944-6733 FAX: 812-948-5047
e-Mail info@SAMTEC.com code 55322

DESCRIPTION:
0.8MM PITCH TERMINAL ARRAY ASSY

DWG. NO.
SEAM8-XX-SXX.X-X-XX-X-XX-K

BY: KNOWLDEN 12/29/08 SHEET 3 OF 4



DETAIL 'E'
SCALE 12:1

FIG 3
-K POLYIMIDE PAD
(SEAM8-XX-S02.0-X-XX-X-K SHOWN)
(SOME CENTER FEATURES REMOVED FOR CLARITY)

TABLE 7		
-LEAD STYLE	"R"	
-S02.0	4.67	[0.184]
-S05.0	7.67	[0.302]

TABLE 8	
-No. OF ROWS	K-DOT #
-04	K-DOT-.167-.281-.005
-06	K-DOT-.246-.375-.005
-08 (SEE NOTE 11)	K-DOT-.325-.450-.005
<input checked="" type="checkbox"/> -10 (SEE NOTE 11)	K-DOT-.404-.500-.005
** -12	K-DOT-.460-.550-.005

(** = NOT ENGINEERING APPROVED)

= FOR 10 POSITION ONLY USE K-DOT-.325-.450-.005

-No. OF ROWS	Ø "P"	"N"						"S"
		10 Pos.	20 Pos.	30 Pos.	-40 Pos.	-50 Pos.	-60 Pos.	
-04	4.25 [0.167]	4.80 [0.189]	8.80 [0.346]	12.80 [0.504]	16.80 [0.661]	20.80 [0.819]	24.80 [0.976]	.025 [0.001]
-06	6.25 [0.246]	3.80 [0.149]	7.80 [0.307]	11.80 [0.464]	15.80 [0.622]	19.80 [0.779]	23.80 [0.937]	.026 [0.001]
-08 (SEE NOTE 11)	8.25 [0.325]	2.80 [0.110]	6.80 [0.268]	10.80 [0.425]	14.80 [0.582]	18.80 [0.740]	22.80 [0.897]	.025 [0.001]
<input type="checkbox"/> -10 (SEE NOTE 11)	10.26 [0.404]	2.80 [0.110]	5.79 [0.228]	9.79 [0.385]	13.79 [0.543]	17.79 [0.700]	21.79 [0.858]	.020 [0.001]
** -12	11.68 [0.460]	1.08 [0.043]	5.08 [0.200]	9.08 [0.357]	13.08 [0.515]	17.08 [0.672]	21.08 [0.830]	.310 [0.012]

(** = NOT ENGINEERING APPROVED)

= FOR 10 POSITION ONLY, Ø "P" = 8.25 [0.325], "S" = 1.025 [0.040]

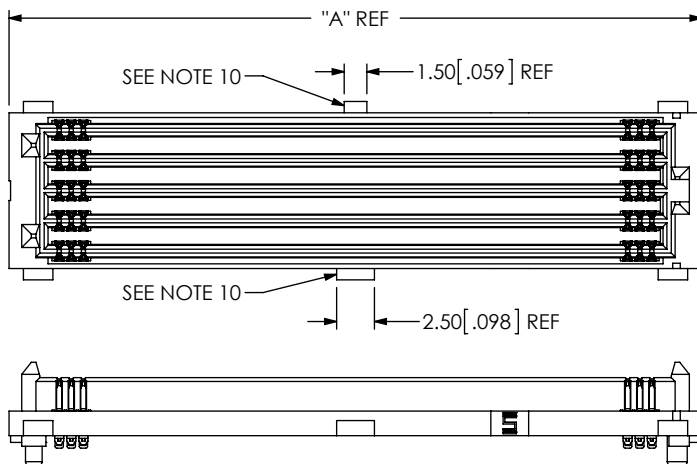


FIG 4
(SEAM8-50-S02.0-X-10-X-XX-K SHOWN)
(SOME CENTER FEATURES REMOVED FOR CLARITY)

PROPRIETARY NOTE
THIS DOCUMENT CONTAINS CONFIDENTIAL AND PROPRIETARY INFORMATION AND ALL DESIGN, MANUFACTURING, REPRODUCTION, USE, PATENT RIGHTS AND SALES RIGHTS ARE EXPRESSLY RESERVED BY SAMTEC, INC. THIS DOCUMENT SHALL NOT BE DISCLOSED, IN WHOLE OR PART, TO ANY UNAUTHORIZED PERSON OR ENTITY NOR REPRODUCED, TRANSFERRED OR INCORPORATED IN ANY OTHER PROJECT IN ANY MANNER WITHOUT THE EXPRESS WRITTEN CONSENT OF SAMTEC, INC.

DO NOT SCALE DRAWING

SHEET SCALE: 2:1



520 PARK EAST BLVD, NEW ALBANY, IN 47150
PHONE: 812-944-6733 FAX: 812-948-5047
e-Mail: info@SAMTEC.com code 55322

DESCRIPTION:
0.8MM PITCH TERMINAL ARRAY ASSY

DWG. NO.
SEAM8-XX-SXX.X-X-XX-X-XX-K

BY: KNOWLDEN 12/29/08 SHEET 4 OF 4