

Chipsmall Limited consists of a professional team with an average of over 10 year of expertise in the distribution of electronic components. Based in Hongkong, we have already established firm and mutual-benefit business relationships with customers from,Europe,America and south Asia,supplying obsolete and hard-to-find components to meet their specific needs.

With the principle of “Quality Parts,Customers Priority,Honest Operation,and Considerate Service”,our business mainly focus on the distribution of electronic components. Line cards we deal with include Microchip,ALPS,ROHM,Xilinx,Pulse,ON,Everlight and Freescale. Main products comprise IC,Modules,Potentiometer,IC Socket,Relay,Connector.Our parts cover such applications as commercial,industrial, and automotives areas.

We are looking forward to setting up business relationship with you and hope to provide you with the best service and solution. Let us make a better world for our industry!



Contact us

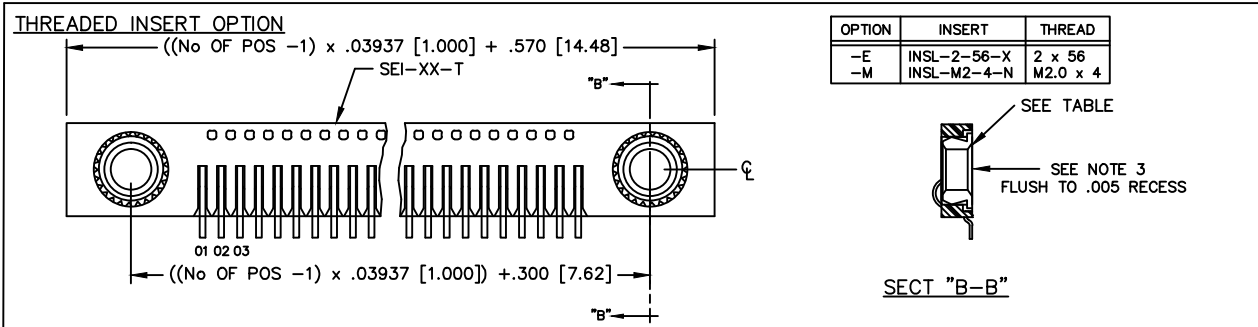
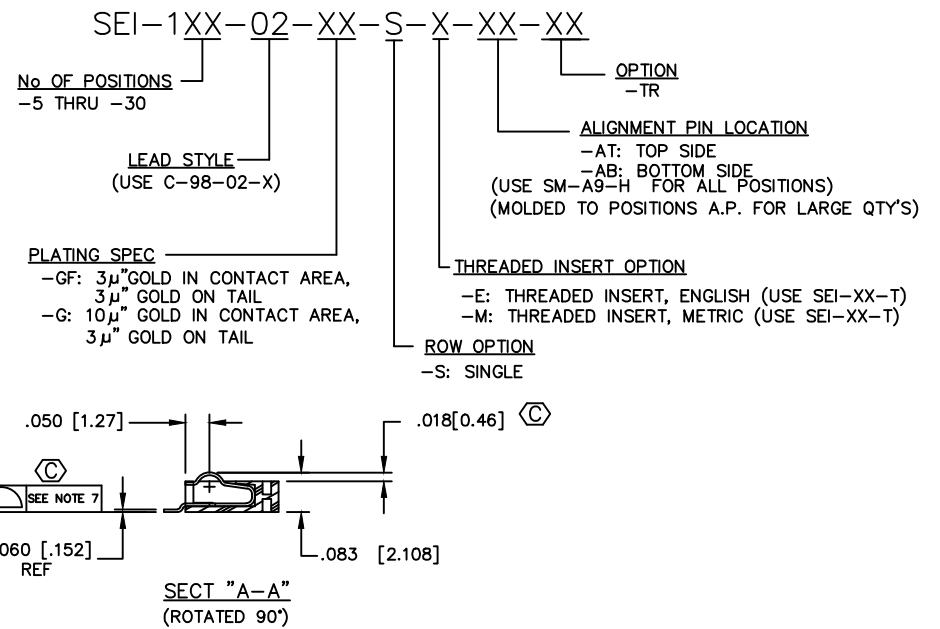
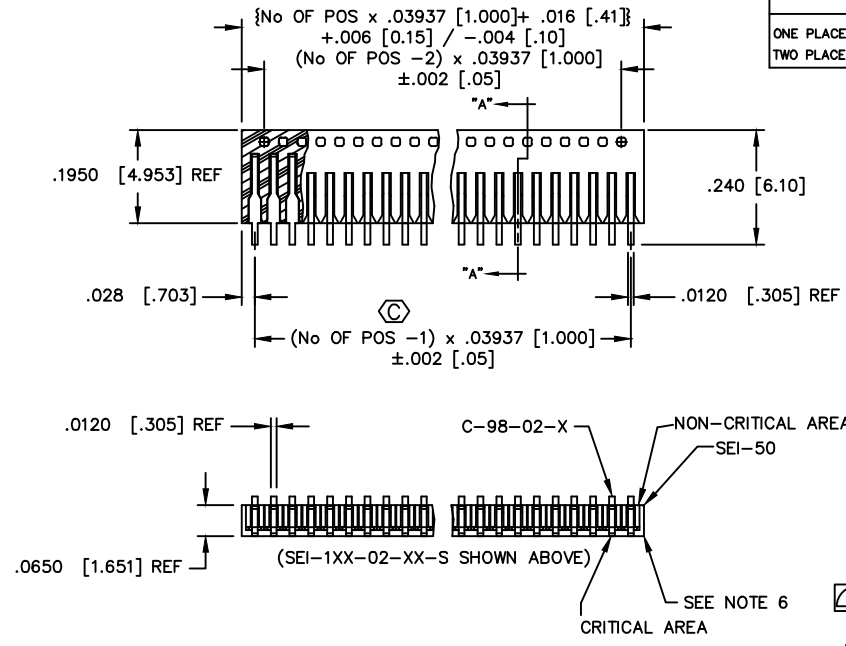
Tel: +86-755-8981 8866 Fax: +86-755-8427 6832

Email & Skype: info@chipsmall.com Web: www.chipsmall.com

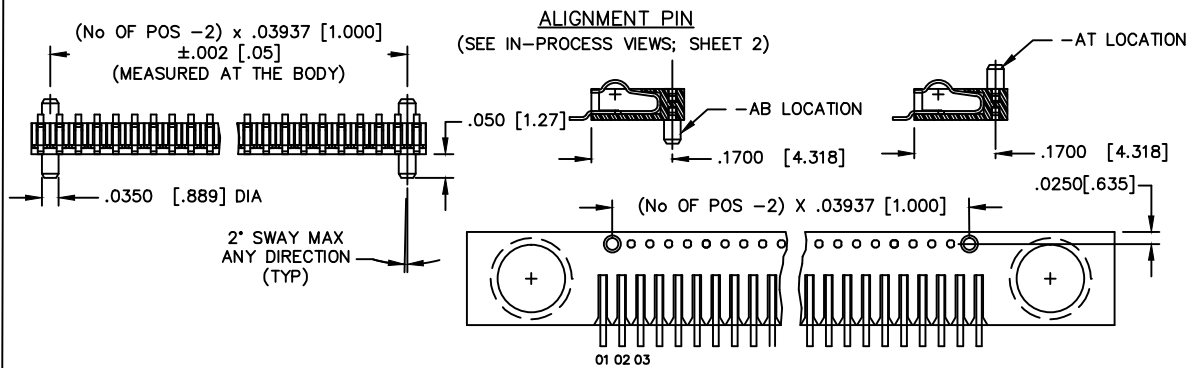
Address: A1208, Overseas Decoration Building, #122 Zhenhua RD., Futian, Shenzhen, China

DIMENSIONS ARE IN INCHES UNLESS OTHERWISE NOTED TOLERANCES ARE:
 ONE PLACE DECIMALS ±.1[2.5] THREE PLACE DECIMALS ±.005[.13]
 TWO PLACE DECIMALS ±.01[.3] FOUR PLACE DECIMALS ±.0020[.051]

TITLE: 1mm SINGLE ELEMENT INTERFACE
 DWG NO: SEI-1XX-02-XX-S-X-XX-XX
 SHEET 1 OF 2



- NOTES:
- ⊕ REPRESENTS A CRITICAL DIMENSION.
 - MINIMUM PUSHOUT FORCE: 6 OZ.
 - LOAD INSERTS IN DIRECTION OF ARROW. (←M INSERTED FROM TOP; ←E INSERTED FROM BOTTOM)
 - PACKAGE ALL POSITIONS IN A PT-1-24-01-68 WITH TWO TP-12 PLUGS PER TUBE.
 - THREADED INSERT MUST BE ABLE TO HANDLE 20 IN-OZ'S OF TORQUE MIN (WITHOUT ROTATING OR "LOOSENING").
 - NO CUT FLASH IN CRITICAL AREAS AS SHOWN. .010" MAX CUT FLASH IN NON-CRITICAL AREAS AS SHOWN.
 - CO-PLANARITY FOR POS. -10 THRU -25 .004" MAX. FOR POS. -26 THRU -30 .006" MAX. CO-PLANARITY IS THE PLANE FORMED BY THE BOTTOM OF THE BODY & THE BOTTOM OF THE CONTACT.
 - USE SM-A9 FOR ALL ALIGNMENT OPTIONS EXCEPT 5 & 10 POSITIONS ONLY USE SM-A9-H.
 - BODIES MAY BE USED MTP WITH OR WITHOUT ALIGNMENT PINS AT PURCHASING DISCRETION.
 - OPERATORS ORIENTATE INSULATORS IN CUTTING TOOL BODIES LOADED WITH FINS OF INSULATOR DOWN AND TOWARD OPERATOR (SEE SHEET 2, FIG. 3).



PROPRIETARY NOTE
 THIS DOCUMENT CONTAINS INFORMATION CONFIDENTIAL AND PROPRIETARY TO SAMTEC INC. AND SHALL NOT BE REPRODUCED OR TRANSMITTED IN ANY FORM OR BY ANY MEANS, ELECTRONIC OR MECHANICAL, INCLUDING PHOTOCOPYING, RECORDING, OR BY ANY INFORMATION STORAGE AND RETRIEVAL SYSTEM, WITHOUT THE WRITTEN CONSENT OF SAMTEC INC.

samtec
 EXISPROD/ASSEMBLY/1MM SEI-ASM
 520 PARK EAST BLVD. NEW ALBANY, INDIANA 47150
 PHONE (812) 944-6733 P.O. BOX 1147
 CODE 55322