



Chipsmall Limited consists of a professional team with an average of over 10 year of expertise in the distribution of electronic components. Based in Hongkong, we have already established firm and mutual-benefit business relationships with customers from,Europe,America and south Asia,supplying obsolete and hard-to-find components to meet their specific needs.

With the principle of “Quality Parts,Customers Priority,Honest Operation,and Considerate Service”,our business mainly focus on the distribution of electronic components. Line cards we deal with include Microchip,ALPS,ROHM,Xilinx,Pulse,ON,Everlight and Freescale. Main products comprise IC,Modules,Potentiometer,IC Socket,Relay,Connector.Our parts cover such applications as commercial,industrial, and automotives areas.

We are looking forward to setting up business relationship with you and hope to provide you with the best service and solution. Let us make a better world for our industry!



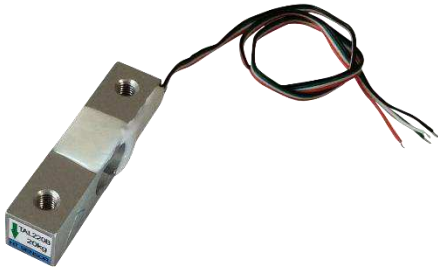
Contact us

Tel: +86-755-8981 8866 Fax: +86-755-8427 6832

Email & Skype: info@chipsmall.com Web: www.chipsmall.com

Address: A1208, Overseas Decoration Building, #122 Zhenhua RD., Futian, Shenzhen, China

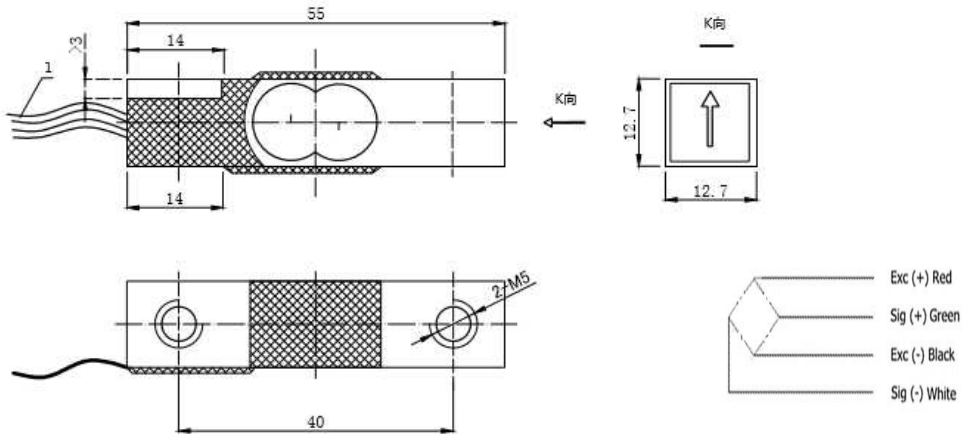




Features:

- ◆ Capacity : 2-50kg
- ◆ Material: aluminum-alloy
- ◆ Type: Parallel beam type
- ◆ Defend grade: IP65
- ◆ Application : hand scales, kitchen scales, mailing scales, fishing scales, baby scales and body scales and other electronic weighing devices.

Electrical connection and Dimensions:(dimension unit: mm)



Specifications:		
capacity	kg	2,3,5,10,20,50kg
safe overload	%FS	120
ultimate overload	%FS	150
rated output	mV/V	1.0 ± 0.1
excitation voltage	Vdc	3-10
combined error	%FS	± 0.05
zero balance	%FS	± 0.1
non-linearity	%FS	± 0.05
hysteresis	%FS	± 0.05
repeatability	%FS	± 0.05
creep	%FS/3min	± 0.1
input resistance	Ω	1000 ± 10
output resistance	Ω	1090 ± 10
insulation resistance	M Ω	≥ 2000
operating temperature range	°C	-10 ~ +55
compensated temperature range	°C	-10 ~ +40
temperature coefficient of SPAN	%FS/10°C	± 0.05
temperature coefficient of ZERO	%FS/10°C	± 0.05
Electrical connection	cable	4 color wire, Ø0.8 × 200 mm
		excitation(+):Red signal(+):Green excitation(-):Black signal(-):White

※Ordering code: model-capacity- rated output-accuracy-defend grade- the length of cable