



Chipsmall Limited consists of a professional team with an average of over 10 year of expertise in the distribution of electronic components. Based in Hongkong, we have already established firm and mutual-benefit business relationships with customers from,Europe,America and south Asia,supplying obsolete and hard-to-find components to meet their specific needs.

With the principle of “Quality Parts,Customers Priority,Honest Operation,and Considerate Service”,our business mainly focus on the distribution of electronic components. Line cards we deal with include Microchip,ALPS,ROHM,Xilinx,Pulse,ON,Everlight and Freescale. Main products comprise IC,Modules,Potentiometer,IC Socket,Relay,Connector.Our parts cover such applications as commercial,industrial, and automotives areas.

We are looking forward to setting up business relationship with you and hope to provide you with the best service and solution. Let us make a better world for our industry!



Contact us

Tel: +86-755-8981 8866 Fax: +86-755-8427 6832

Email & Skype: info@chipsmall.com Web: www.chipsmall.com

Address: A1208, Overseas Decoration Building, #122 Zhenhua RD., Futian, Shenzhen, China





SEP8736-003

SEP Series AlGaAs Infrared Emitting Diode, Side-looking Plastic Package

Representative photograph, actual product appearance may vary.

Due to regional agency approval requirements, some products may not be available in your area. Please contact your regional Honeywell office regarding your product of choice.

Features

- Side-looking plastic package
- 10 ° (nominal) beam angle
- 880 nm wavelength
- Enhanced coupling distance
- Mechanically and spectrally matched to SDP8436 phototransistor

Description

The SEP8736 is an aluminum gallium arsenide infrared emitting diode molded in a side-emitting smoke gray plastic package. The body and integral lens design combines the mounting advantage of a side-emitting package with the narrow emission pattern of a T-1 style device. The SEP8736 IRED is designed for those applications which require longer coupling distances than standard side-emitting devices can provide, such as touch screens. The IRED is also especially well suited to applications in which adjacent channel crosstalk could be a problem.



SEP8736-003

SEP Series AlGaAs Infrared Emitting Diode, Side-looking Plastic Package

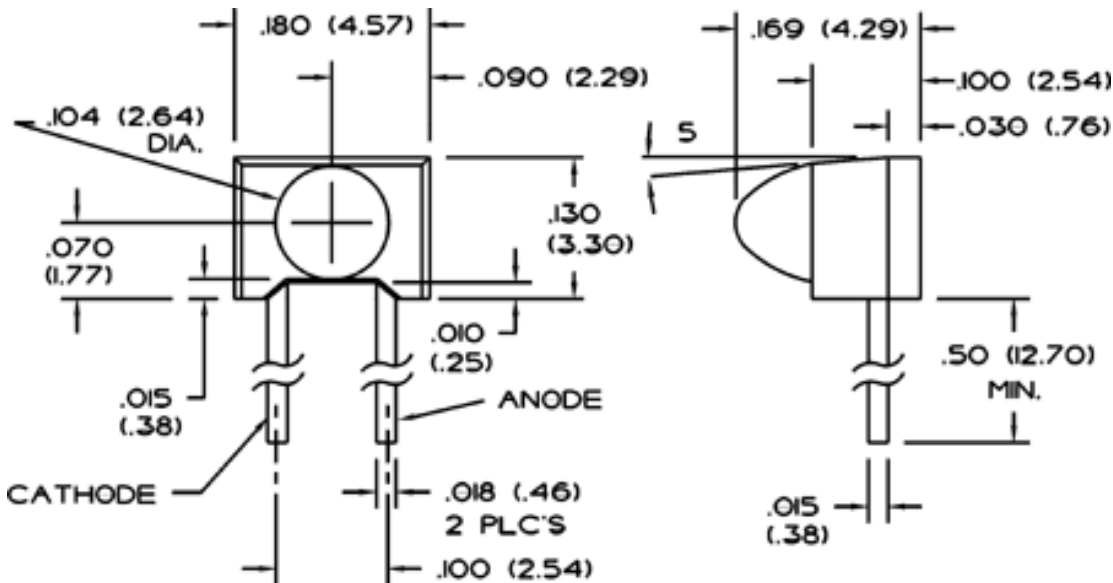
Product Specifications	
Product Type	IR Component
Power Output	1.7 to 3.0 mW/cm ²
Beam Angle (Degree)	10
Package Style	Side-Emitting
Package Components	Plastic
Forward Current	20 mA
Continuous Forward Current	50 mA
Forward Voltage	1.7 V
Reverse Breakdown Voltage	3 V

Output Wavelength	880 nm
Spectral Bandwidth	80 nm
Spectral Shift With Temperature	0.2 nm/°C
Rise and Fall Time	0.7 μs
Power Dissipation	100 mW
Operating Temperature Range	-40 °C to 85 °C [-40 °F to 185 °F]
Availability	Global
Product Name	Infrared Emitting Diode

Honeywell

SEP8736-003

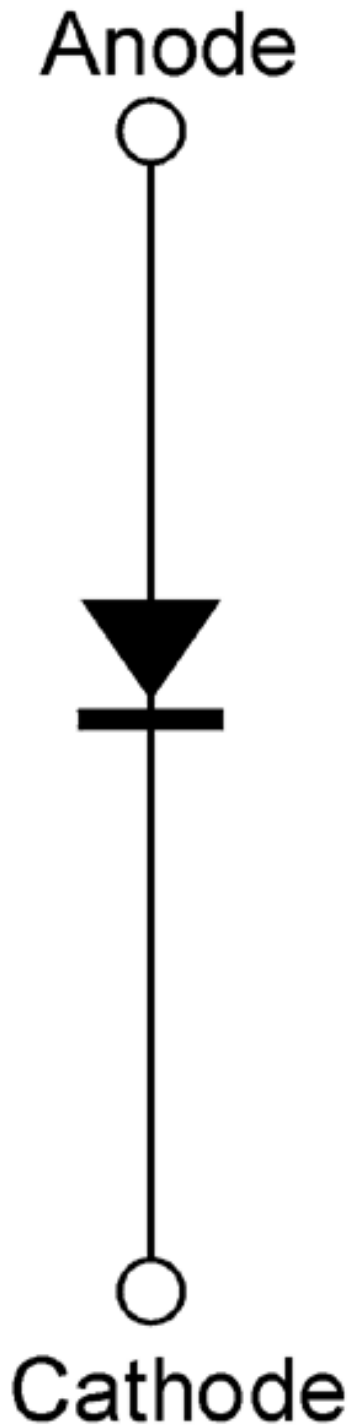
SEP Series AlGaAs Infrared Emitting Diode, Side-looking Plastic Package



Honeywell

SEP8736-003

SEP Series AlGaAs Infrared Emitting Diode, Side-looking Plastic Package



Honeywell

SEP8736-003

SEP Series AlGaAs Infrared Emitting Diode, Side-looking Plastic Package

 WARNING

PERSONAL INJURY

DO NOT USE these products as safety or emergency stop devices, or in any other application where failure of the product could result in personal injury.

Failure to comply with these instructions could result in death or serious injury.

 WARNING

MISUSE OF DOCUMENTATION

- The information presented in this product sheet (or catalog) is for reference only. DO NOT USE this document as product installation information.
- Complete installation, operation and maintenance information is provided in the instructions supplied with each product.

Failure to comply with these instructions could result in death or serious injury.

© Copyright Honeywell Inc. 1998-2004 All rights reserved.