



Chipsmall Limited consists of a professional team with an average of over 10 year of expertise in the distribution of electronic components. Based in Hongkong, we have already established firm and mutual-benefit business relationships with customers from,Europe,America and south Asia,supplying obsolete and hard-to-find components to meet their specific needs.

With the principle of "Quality Parts,Customers Priority,Honest Operation,and Considerate Service",our business mainly focus on the distribution of electronic components. Line cards we deal with include Microchip,ALPS,ROHM,Xilinx,Pulse,ON,Everlight and Freescale. Main products comprise IC,Modules,Potentiometer,IC Socket,Relay,Connector.Our parts cover such applications as commercial,industrial, and automotives areas.

We are looking forward to setting up business relationship with you and hope to provide you with the best service and solution. Let us make a better world for our industry!



Contact us

Tel: +86-755-8981 8866 Fax: +86-755-8427 6832

Email & Skype: info@chipsmall.com Web: www.chipsmall.com

Address: A1208, Overseas Decoration Building, #122 Zhenhua RD., Futian, Shenzhen, China





TowerPro SG90C 360 Degree Micro Servo (1.6Kg)

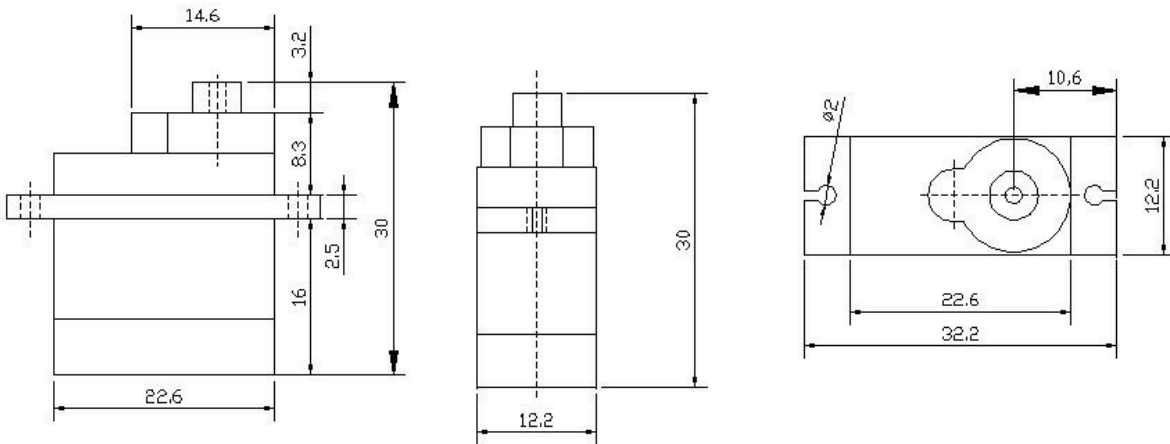
SKU:SER0043



INTRODUCTION

The TowerPro SG90C is a 360 degree micro servo. It uses a plastic gear drive and is light and compact. It can be used for various applications and DIY products, such as toy cars, boats, windmills etc.

A 360 degree servo's operation is more similar to a DC motor than a standard servo as only rotation direction and speed can be controlled. There is also no hardware stop inside so that the shaft can rotate freely. Compared to an ordinary DC motor, a 360-degree servo motor does not require additional motor drivers and is plug and play, compact and convenient. Arduino control methods are also the same. When the servo is operating on the 4.8 ~ 6V power supply, the torque can reach 1.2 ~ 1.6Kg x cm



SPECIFICATION

- Operating Voltage: 3.5 - 6.0V
- Supply Voltage: 4.8V ~ 6.0V
- Dead Zone Width: 5usec
- Working Speed: 0.12sec/60 (4.8V no load)
- Stall Torque: 1.2kg/cm (4.8V), 1.6kg/cm (6.0V)
- Neutral Location: 1500us
- Interface Description:
 - Brown: GND
 - Red: VCC
 - Orange: S
- Cable Length: 250mm
- Operating Temperature: -30°C to + 60°C
- Dimensions: 22.6 x 12.2 x 30 mm /0.89x0.48x1.18"
- Weight: 9±1g

SHIPPING LIST

- TowerPro SG90C 360 Degree Micro Servo (1.6Kg) x1
- Accessories x1