



Chipsmall Limited consists of a professional team with an average of over 10 year of expertise in the distribution of electronic components. Based in Hongkong, we have already established firm and mutual-benefit business relationships with customers from,Europe,America and south Asia,supplying obsolete and hard-to-find components to meet their specific needs.

With the principle of “Quality Parts,Customers Priority,Honest Operation,and Considerate Service”,our business mainly focus on the distribution of electronic components. Line cards we deal with include Microchip,ALPS,ROHM,Xilinx,Pulse,ON,Everlight and Freescale. Main products comprise IC,Modules,Potentiometer,IC Socket,Relay,Connector.Our parts cover such applications as commercial,industrial, and automotives areas.

We are looking forward to setting up business relationship with you and hope to provide you with the best service and solution. Let us make a better world for our industry!



Contact us

Tel: +86-755-8981 8866 Fax: +86-755-8427 6832

Email & Skype: info@chipsmall.com Web: www.chipsmall.com

Address: A1208, Overseas Decoration Building, #122 Zhenhua RD., Futian, Shenzhen, China

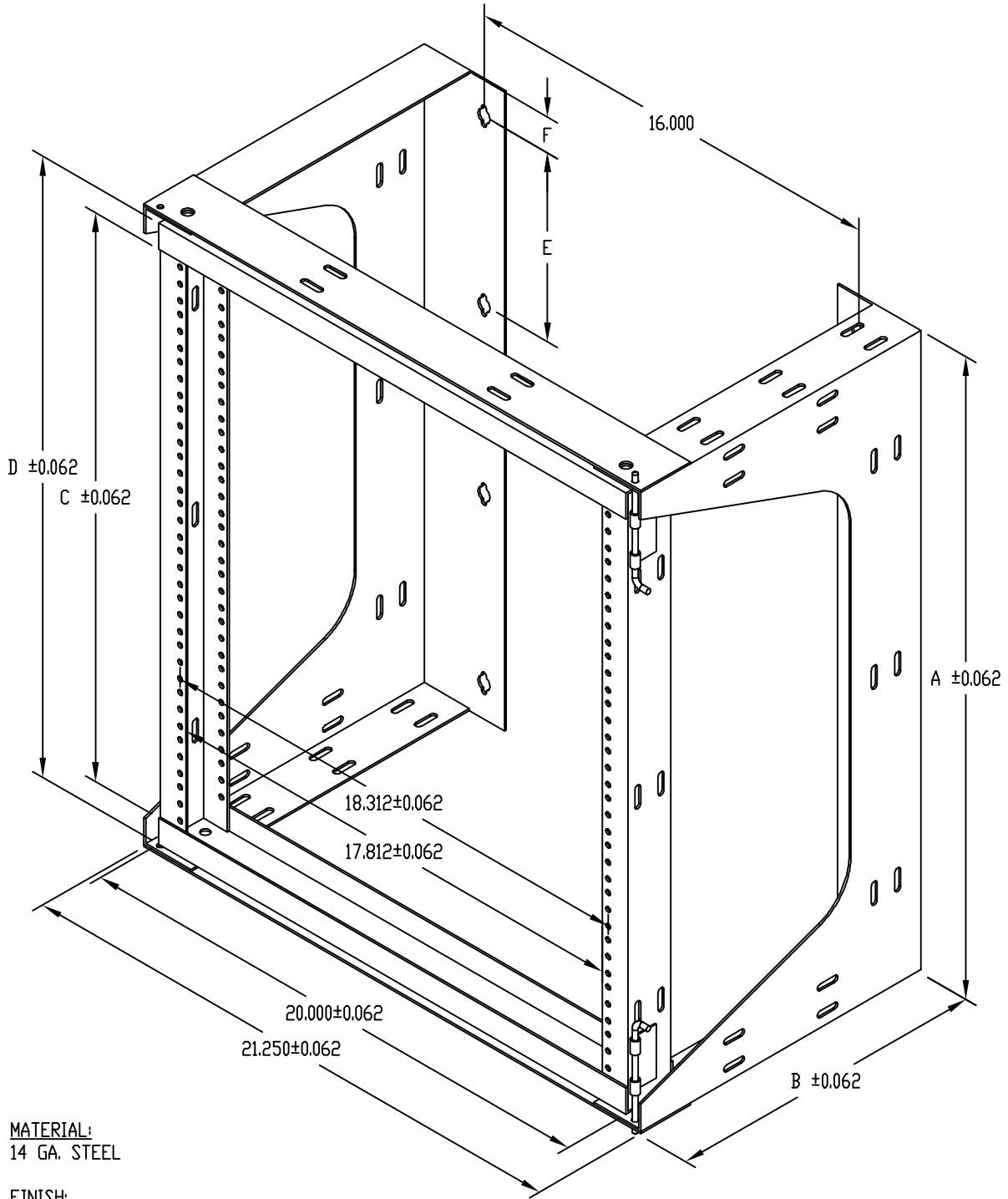


PART
NAME

SWING FRAME RACK

PART
No.

SF-2283, SF-2284, SF-2293 & SF-2294



MATERIAL:
14 GA. STEEL

FINISH:
SMOOTH BLACK

NOTE:
SWING ARM RAILS ARE TAPPED #12-24
ON UNIVERSAL E.I.A. SPACING.
UNIT INCLUDES (6) 8' LONG VELCRO
STRAPS IN HARDWARE KIT.

LOAD RATING: 75 LBS. MAX.

PART NUMBER	A	B	C	D	E	F
SF-2283	23.814	12.000	21.062	23.004	7.000	1.407
SF-2284	23.814	18.000	21.062	23.004	7.000	1.407
SF-2293	37.814	12.000	35.062	37.004	11.000	2.407
SF-2294	37.814	18.000	35.062	37.004	11.000	2.407