



Chipsmall Limited consists of a professional team with an average of over 10 year of expertise in the distribution of electronic components. Based in Hongkong, we have already established firm and mutual-benefit business relationships with customers from,Europe,America and south Asia,supplying obsolete and hard-to-find components to meet their specific needs.

With the principle of “Quality Parts,Customers Priority,Honest Operation,and Considerate Service”,our business mainly focus on the distribution of electronic components. Line cards we deal with include Microchip,ALPS,ROHM,Xilinx,Pulse,ON,Everlight and Freescale. Main products comprise IC,Modules,Potentiometer,IC Socket,Relay,Connector.Our parts cover such applications as commercial,industrial, and automotives areas.

We are looking forward to setting up business relationship with you and hope to provide you with the best service and solution. Let us make a better world for our industry!



Contact us

Tel: +86-755-8981 8866 Fax: +86-755-8427 6832

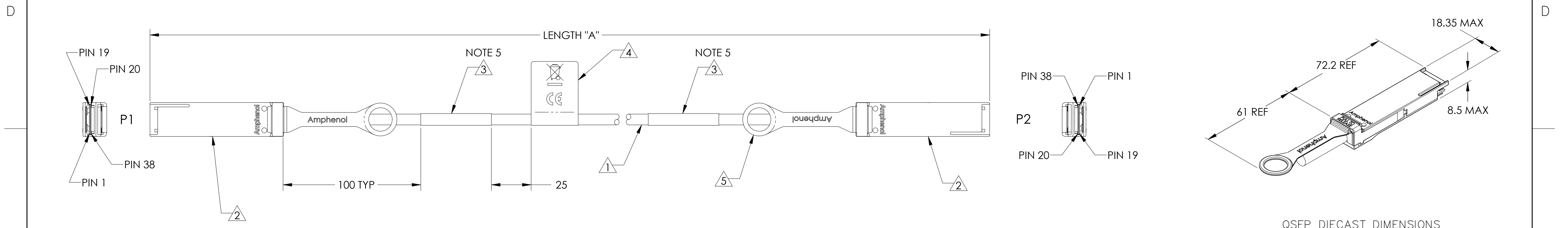
Email & Skype: info@chipsmall.com Web: www.chipsmall.com

Address: A1208, Overseas Decoration Building, #122 Zhenhua RD., Futian, Shenzhen, China

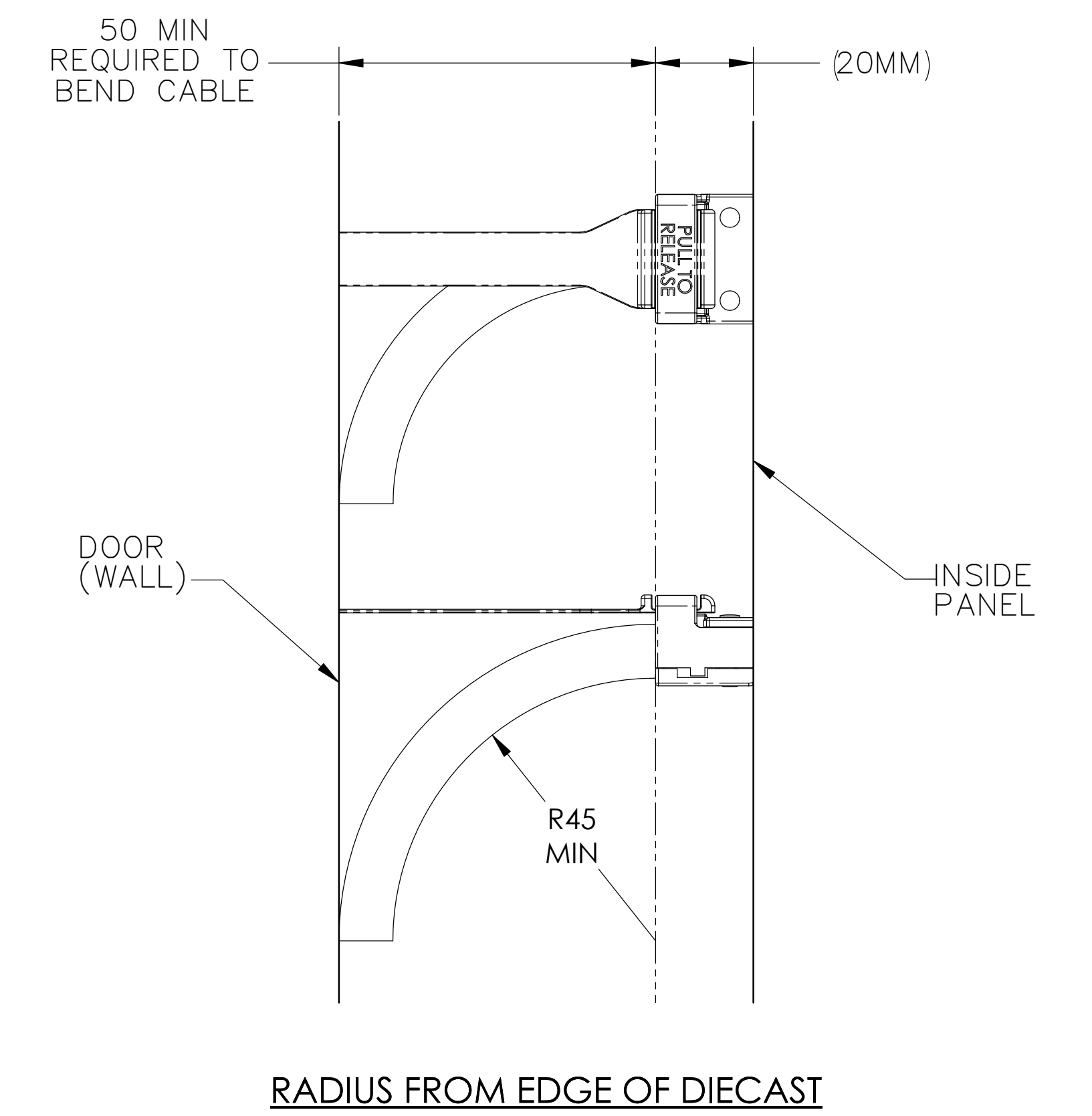
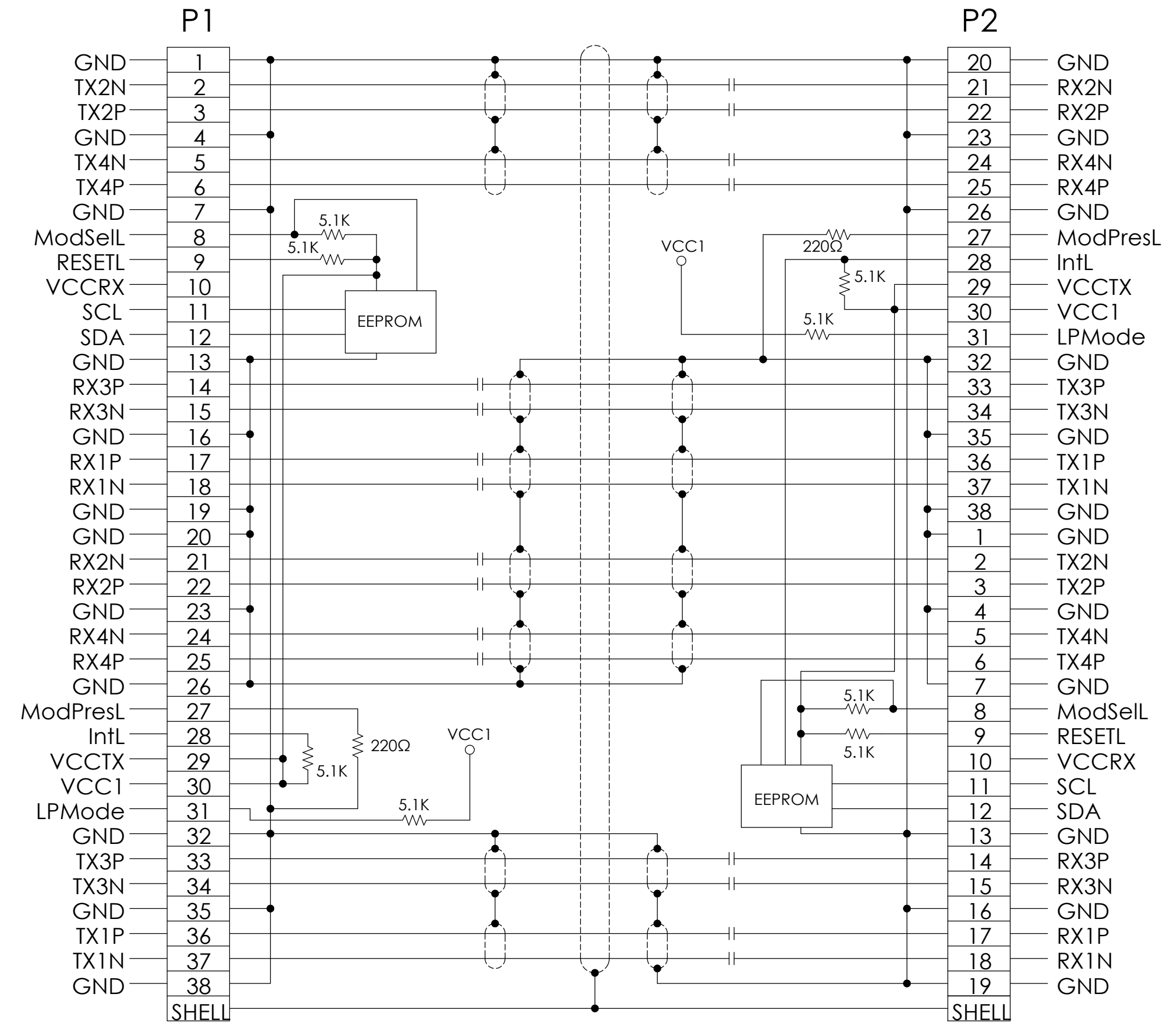


ZONE		REV.	SCR NUMBER	DESCRIPTION	BY	DATE	APPROVED
-	1			PRELIMINARY DESIGN		10/13/2015	DC

AHSP P/N	LENGTH "A"	CUSTOMER P/N
NDAAFF-C101	1000 ±20	SF-NDAAFF100G-001M
NDAAFF-C102	2000 ±40	SF-NDAAFF100G-002M
NDAAFF-C103	3000 ±60	SF-NDAAFF100G-003M



ITEM No.	DESCRIPTION
①	30 AWG, 8-PR, PVC BLACK, UL AWM STYLE 20276, 80°C, VW1
②	PLUG, QSFP+, REFERENCE SFF-8661
③	LABEL, WRAPPED - AHSP P/N, REV, DATE CODE, LENGTH, CoO & SERIAL NUMBER
④	LABEL, FLAGGED - WEEE LOGO AND CE LOGO
⑤	LANYARD - PANTONE 347C (GREEN)



- UL LABEL MUST BE ON THE SHIPPING CARTON PER SUBJECT 764 OF THE UL COMPONENT WIRING HARNESS (ZPFW2) FILE #E86140. CSA LABEL MUST BE ON SHIPPING CARTON.
 - PACKAGE COMPLETED ASSY IN AN APPROPRIATELY SIZED ESD BAG.
 - EPROM CONTENT SHALL BE COMPLIANT WITH SFF-8636 SPECIFICATIONS FOR 100GBASE-CR4. EPROM REVISION IS EQUAL TO AHSP PART NUMBER REVISION.
 - ASSEMBLIES LESS THAN ONE METER REQUIRE ONLY ONE LABEL PLACED ON P1 END.
 - CABLE ASSEMBLIES MUST MEET SHIELDING EFFECTIVENESS REQUIREMENTS OF 35dB FROM 1-10GHz AND 30dB FROM 10-18GHz.
 - COMPLIANT TO EU DIRECTIVE 2011/65/EU - RoHS2.
 - ASSEMBLIES SHALL BE COMPLIANT TO 100GBASE-CR4 SPECIFICATION (EXCEPT NDAAFF-0005).
 - THIS DRAWING IS RESERVED FOR AMPHENOL CABLES ON DEMAND.
- NOTES: UNLESS OTHERWISE SPECIFIED

NOTE: DC BLOCKING CAP VALUE IS 0.1 μF
EPROM CONNECTED TO VCCTX

TOLERANCES	DWN	CHK	APVD	EM	TITLE
0.0 ± 0.25	10/13/2015	10/13/2015	10/13/2015		CABLE ASSEMBLY, QSFP/QSFP, PSV, 100Ω, 100 GbE, 30 AWG EXD
0.00 ± 0.08					
ANGLES ± 1.0°					

Amphenol AHSP A Division of Amphenol Corporation 200 Innovative Way, Suite 201, Nashua, N.H. 03062 (603) 879-3000	
PART NO.	SEE TABLE 3
DRAWING NO.	P-NDAAFF-C199
SIZE	D
SCALE	1:1
SHEET	1 OF 2

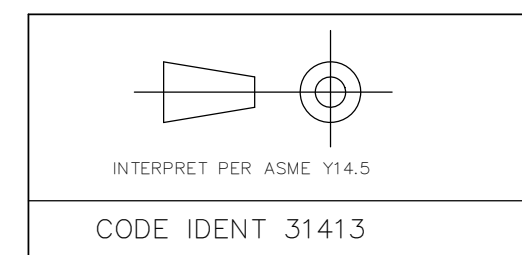
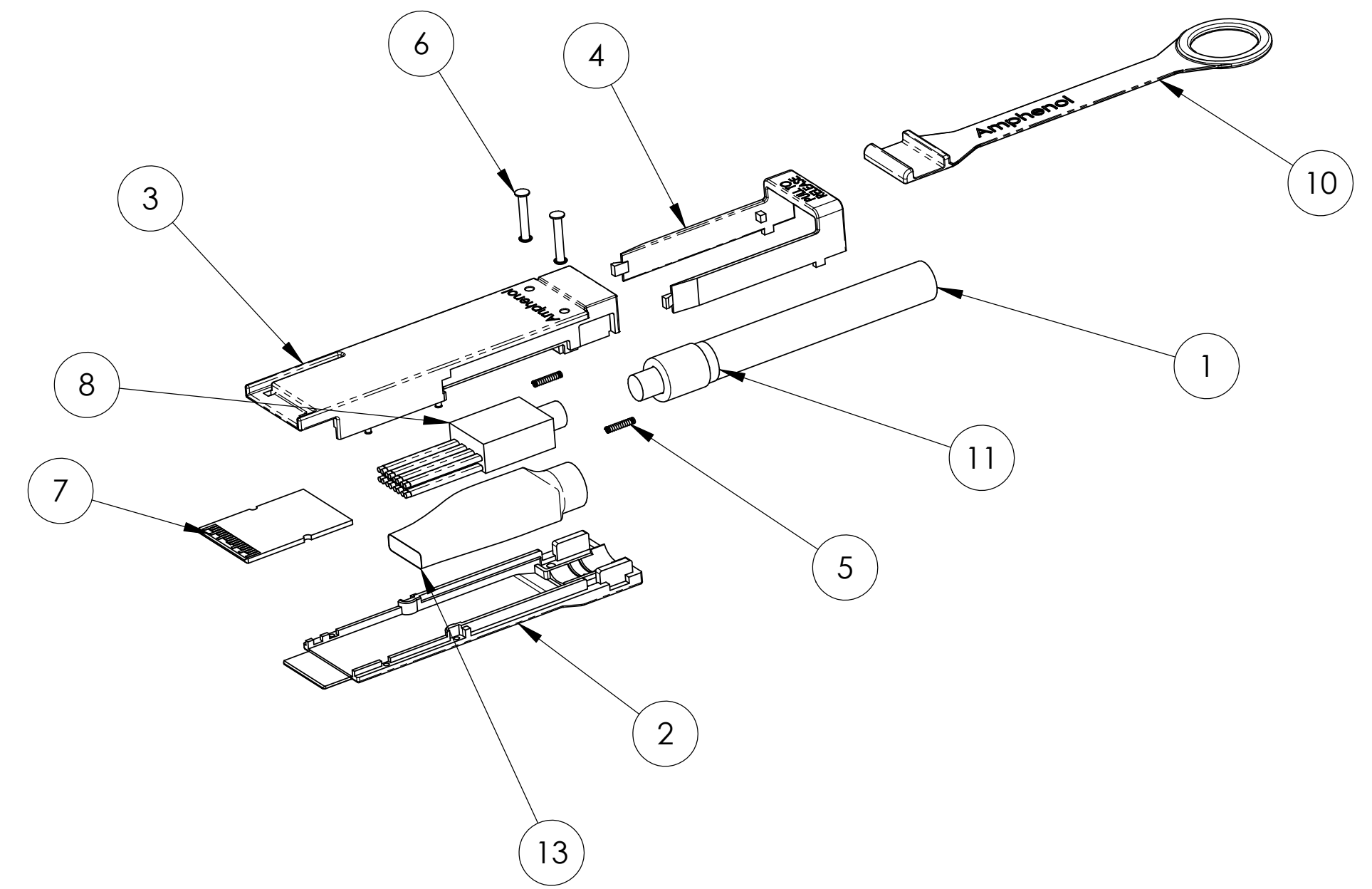


TABLE 3					
AHSP P/N	AHSP REV	CUT LENGTH 'A'	LABEL QUANTITY	HAND SOLDER	AUTO SOLDER
NDAAFF-C101	A	3.379 FT	2	Y	Y
NDAAFF-C102	A	6.66 FT	2	Y	Y
NDAAFF-C103	A	9.941 FT	2	Y	Y

REVISIONS						
ZONE	REV.	SCR NUMBER	DESCRIPTION	BY	DATE	APPROVED
			SEE SHEET 1			

TABLE 4 - PARTS LIST FOR 30G ASSEMBLIES					
ITEM	AHSP P/N	AHSI P/N	COMPONENT DESCRIPTION	QUANTITY	U Of M
1	023-0010-056	N/A	CBL RND 8PR 30 AWG SKWCLR S.S. 166-3099-788 RC	SEE CUT LENGTH 'A' IN TABLE 3	FT
2	023-Q030-041	N/A	COVER DIECAST QSFP .28 CBL RC	2	EA
3	023-Q020-136	N/A	HOUSING DIECAST QSFP .28 CBL AMPHENOL LOGO RC	2	EA
4	023-Q120-001	602480001	LATCH RELEASE DIECAST QSFP COPPER RC	2	EA
5	023-0000-054	605480001	SPRING COMPRESSION RC	4	EA
6	023-0000-052	555880001	RIVET LOW PRO MINI-SAS RC	4	EA
7	023-Q075-006	N/A	ASM PCB QSFP PASSIVE 100Gbps 30AWG RC	2	EA
8	023-0000-015	532320001	ADH HOT MELT AMBER 430F 3M 3779-PG RC UL-94V0	0.009	LB
9	527-4882-000	N/A	AHSP STANDARD CABLE LABEL	SEE LABEL QTY IN TABLE 3	EA
10	023-Q080-025	587240025	LANYARD QSFP PULL TO RELEASE GRN AMPH 3.0 RC	2	EA
11	023-0000-031	24859	TAPE COPPER 3/8 CONDUCTIVE CCH-36-101-0038 RC	0.25	FT
12	023-Q130-002	613890001	DUST COVER QSFP RC	2	EA
13	023-0000-026	24848	TAPE COPPER 1-3/4 NON-CONDUCTIVE CCH-36-301-0175 RC	0.292	FT
14	527-4880-000	N/A	AHSP STANDARD CE/WEEE LABEL	1	EA
15	023-0000-056	567150001	LOCTITE UV CURE LOCTITE 3106 RC	AS NEEDED	ML
16	527-4986-000	N/A	ACD CUST BAG LABEL	1	EA

TABLE 5-AMPHENOL SPECIFICATIONS	
ACS-1152	AMPHENOL REGULATED MATERIALS
ACS-1154	EPROM PROGRAMMING
ACS-1186	LEAD-FREE SOLDER
ACS-1199	HIGH SPEED ASSEMBLY TEST
TMS-115-0001	CABLE ASSEMBLY MFG PROCESS
ACS-1210	STANDARD SPECIFICATIONS FOR WEEE, CHINA RoHS AND CE LABELS



TOLERANCES	DWN 10/13/2015	<p>Amphenol AHSP</p> <p>A Division of Amphenol Corporation</p> <p>200 Innovative Way, Suite 201, Nashua, N.H. 03062 (603) 879-3000</p> <p>TITLE CABLE ASSEMBLY, QSFP/QSFP, PSV, 100Ω, 100 GbE, 30 AWG EXD</p>	
0.0	± 0.25		DC
0.00	± 0.08		CHK 10/13/2015
	±		DD 10/13/2015
ANGLES	± 1.0°		APVD 10/13/2015
UNLESS OTHERWISE SPECIFIED DIMENSIONS ARE IN MM		EM	
<p>THESE DRAWINGS AND SPECIFICATIONS ARE THE PROPERTY OF AMPHENOL CORPORATION AND SHALL NOT BE REPRODUCED OR COPIED OR USED AS THE BASIS FOR THE MANUFACTURE OR SALE OF APPARATUS WITHOUT THE WRITTEN PERMISSION OF AMPHENOL CORPORATION</p>		<p>PART NO. SEE TABLE 3</p> <p>DRAWING NO. P-NDAAFF-C199</p>	
CODE IDENT 31413	INTERPRET PER ASME Y14.5	<p>SIZE D SCALE 1:1 SHEET 2 OF 2</p>	