



Chipsmall Limited consists of a professional team with an average of over 10 year of expertise in the distribution of electronic components. Based in Hongkong, we have already established firm and mutual-benefit business relationships with customers from,Europe,America and south Asia,supplying obsolete and hard-to-find components to meet their specific needs.

With the principle of “Quality Parts,Customers Priority,Honest Operation,and Considerate Service”,our business mainly focus on the distribution of electronic components. Line cards we deal with include Microchip,ALPS,ROHM,Xilinx,Pulse,ON,Everlight and Freescale. Main products comprise IC,Modules,Potentiometer,IC Socket,Relay,Connector.Our parts cover such applications as commercial,industrial, and automotives areas.

We are looking forward to setting up business relationship with you and hope to provide you with the best service and solution. Let us make a better world for our industry!



Contact us

Tel: +86-755-8981 8866 Fax: +86-755-8427 6832

Email & Skype: info@chipsmall.com Web: www.chipsmall.com

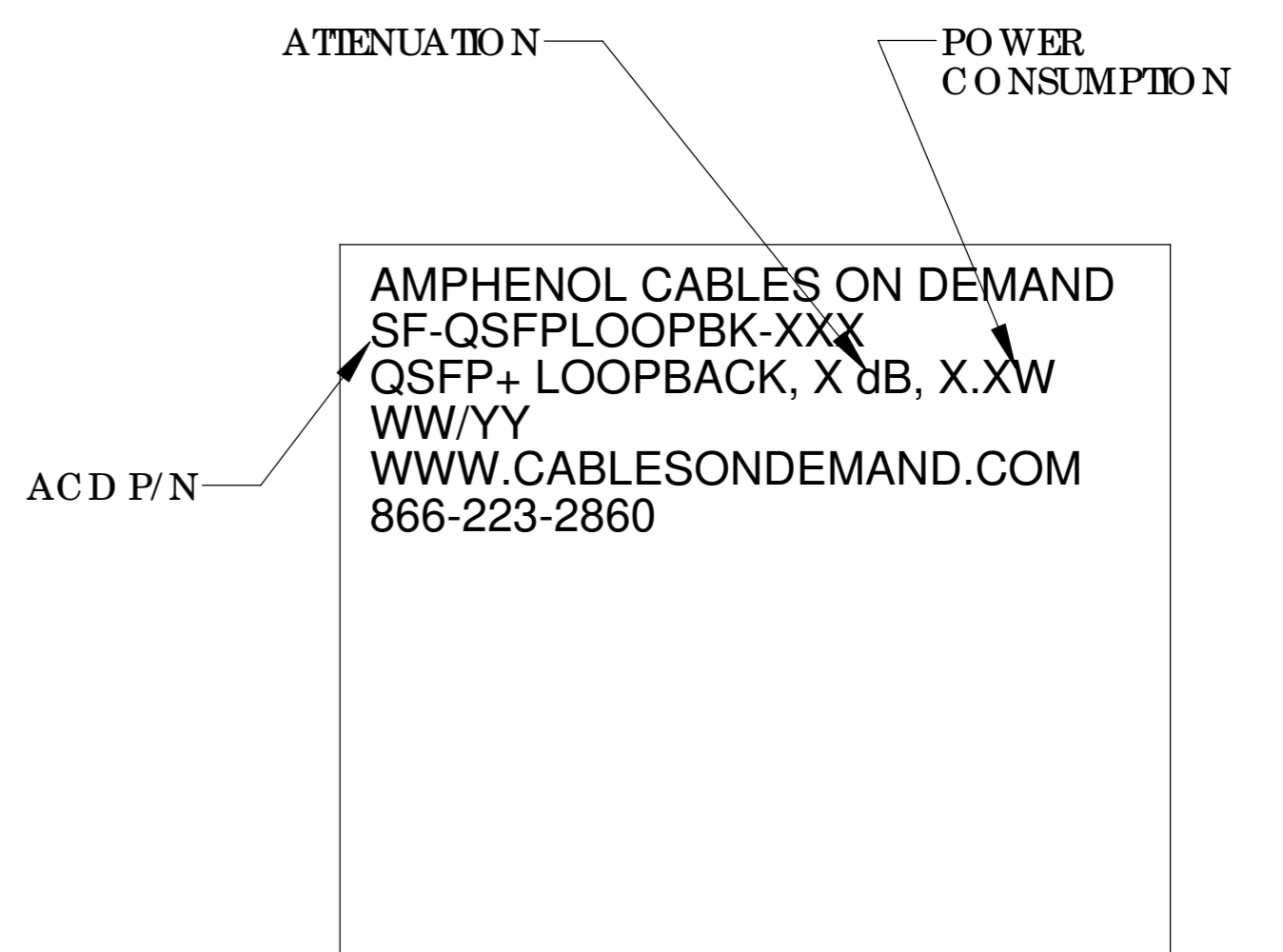
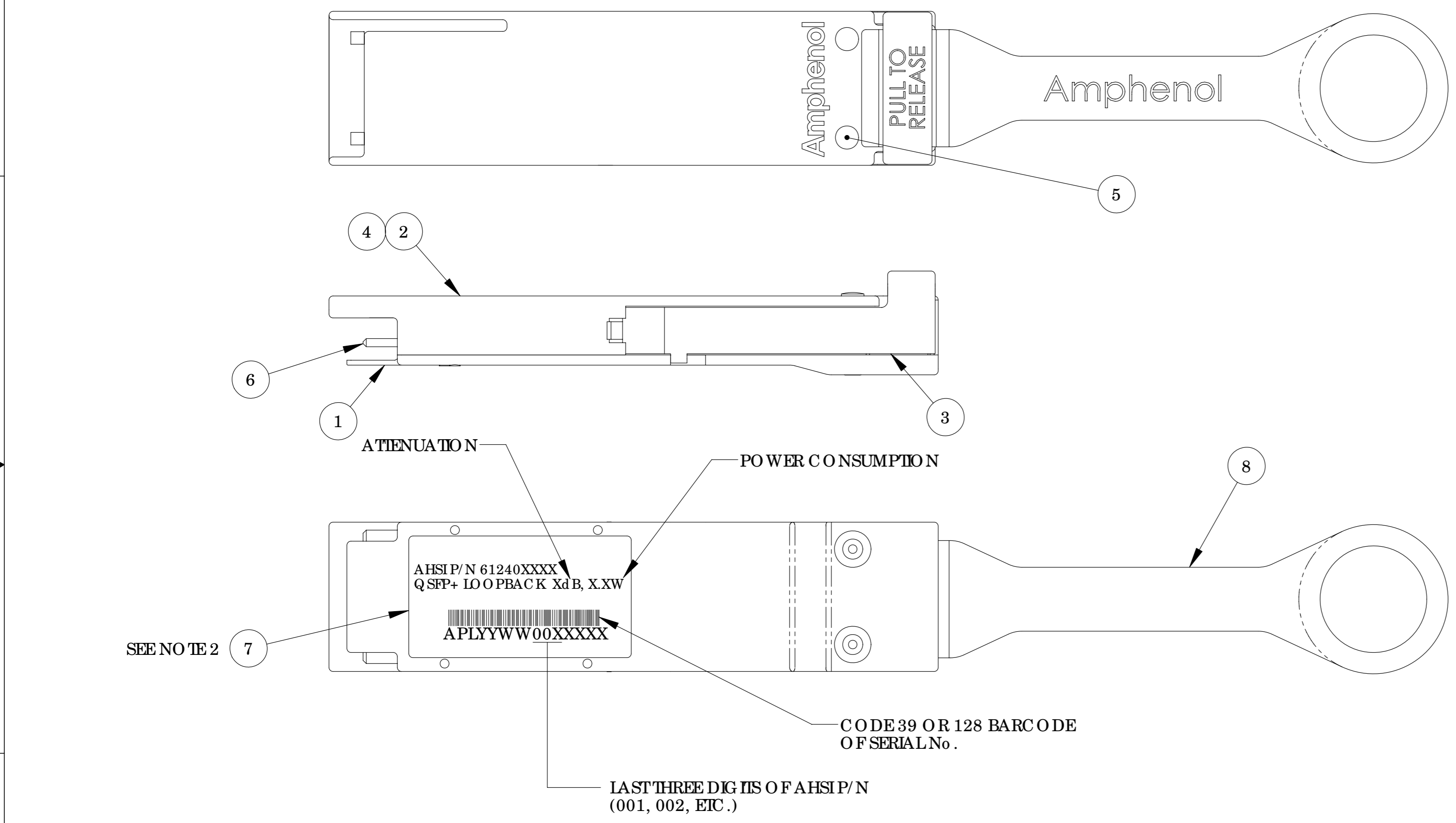
Address: A1208, Overseas Decoration Building, #122 Zhenhua RD., Futian, Shenzhen, China



THE INFORMATION CONTAINED IN THIS DRAWING IS THE SOLE PROPERTY OF AMPHENOL INTERCONNECT PRODUCTS CORP. ANY REPRODUCTION OR DISCLOSURE TO THIRD PARTIES, IN PART OR WHOLE, WITHOUT THE EXPRESS WRITTEN PERMISSION OF AMPHENOL INTERCONNECT PRODUCTS CORP. IS PROHIBITED.

AHSI P/N	DESCRIPTION	POWER CONSUMPTION	ATTENUATION	LANYARD COLOR	ACD P/N	EPROM REV	EYE & JITTER TEST
61240001	QSFP LOOPBACK W/MODSEL	1.5W	0 dB	BLUE	SF-QSFPLOOPBK-001	D	NO
61240002	QSFP LOOPBACK W/MODSEL	0.0W	0 dB	BLUE	SF-QSFPLOOPBK-002	D	NO
61240003	QSFP LOOPBACK W/MODSEL	1.5W	3 dB	BLUE	SF-QSFPLOOPBK-003	D	YES

REVISIONS			
REV.	DESCRIPTION	DATE	APPROVED
A	NEW RELEASE PER EO 302892	05/12	DEC
B	REVISED PER EC N 304559	08/13	DEC
C	REVISED PER EC N 304930	12/13	DEC
D	REVISED PER EC N 305274	04/14	DEC



- THIS DRAWING IS RESERVED FOR AMPHENOL CABLES ON DEMAND.
- PERMANENTLY MARK LABEL WITH INDICATED TEXT.
- ALL MATERIALS USED IN THE MANUFACTURE OF THIS ASSEMBLY SHALL COMPLY WITH AMPHENOL REGULATED MATERIALS SPECIFICATION CS-1152.
- TEST COMPLETED ASSEMBLIES PER AMPHENOL CS-1089. TEST ASSEMBLIES AT 10.31 Gbps AS NOTED IN P/N TABLE.
- SIMILAR TO AMPHENOL SPEC 59994XXXX.
- PROGRAM EPROM PER CS-1154. EPROM SERIAL No. MUST MATCH LABEL SERIAL No.
- INSTALL DUST COVER (ITEM 9) OVER CONNECTOR. COMPLETED ASSY SHALL BE PACKAGED IN AN APPROPRIATELY SIZED ANTI-STATIC BAG. PERMANENTLY LABEL BAG PER BAG LABEL DETAIL.



SPECIFICATION CONTROL DRAWING

UNLESS OTHERWISE SPECIFIED DIMENSIONS ARE IN INCHES TOLERANCES ARE:		DRAWN D. CASHMERE		Amphenol Interconnect Products Corp. 20 Valley St. Endicott, NY, 13760	
DECIMALS	ANGLES	APPROVALS	DATE	ASSEMBLY, LOOPBACK, QSFP, W/MODSEL & POWER OPTIONS	
.X ±.X	±.5°	CHECKED	05/12		
.XX ±.01					
.XXX ±.005				RESP ENG A. PERSAUD	
THIRD ANGLE PROJECTION		MFG ENG		DATE	05/12
CAD FILE: S:\SolidWorks\PE5 DIGITNO\61240		SIZE	DWG. NO.	REV. D	
		C	61240XXXX		