



Chipsmall Limited consists of a professional team with an average of over 10 year of expertise in the distribution of electronic components. Based in Hongkong, we have already established firm and mutual-benefit business relationships with customers from,Europe,America and south Asia,supplying obsolete and hard-to-find components to meet their specific needs.

With the principle of “Quality Parts,Customers Priority,Honest Operation,and Considerate Service”,our business mainly focus on the distribution of electronic components. Line cards we deal with include Microchip,ALPS,ROHM,Xilinx,Pulse,ON,Everlight and Freescale. Main products comprise IC,Modules,Potentiometer,IC Socket,Relay,Connector.Our parts cover such applications as commercial,industrial, and automotives areas.

We are looking forward to setting up business relationship with you and hope to provide you with the best service and solution. Let us make a better world for our industry!



## Contact us

Tel: +86-755-8981 8866 Fax: +86-755-8427 6832

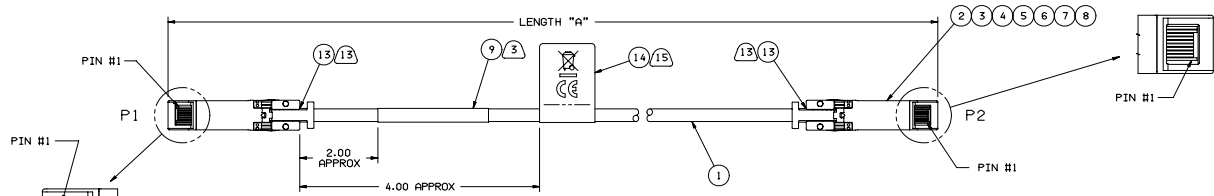
Email & Skype: info@chipsmall.com Web: www.chipsmall.com

Address: A1208, Overseas Decoration Building, #122 Zhenhua RD., Futian, Shenzhen, China



REVISONS				
ZONE	LT#	DESCRIPTION	DATE	APPROVED
A		NEW RELEASE PER E.O. 304428	7/13	DEC

AMPHENOL P/N	LENGTH "A"	ACD P/N	AWG (REF.)	EPRM REV
624380001	1000 MM ±25 MM	SF-SFPP2EPASS-001	30	A
624380002	2000 MM ±50 MM	SF-SFPP2EPASS-002	30	A
624380003	3000 MM ±75 MM	SF-SFPP2EPASS-003	30	A
624380004	5000 MM ±125 MM	SF-SFPP2EPASS-005	26	A
624380005	7000 MM ±175 MM	SF-SFPP2EPASS-007	24	A
624380006	8000 MM ±200 MM	SF-SFPP2EPASS-008	24	A
624380007	8500 MM ±215 MM	SF-SFPP2EPASS-008.5	24	A
624380008	9000 MM ±225 MM	SF-SFPP2EPASS-009	24	A
624380009	10000 MM ±250 MM	SF-SFPP2EPASS-010	24 EXD	A
624380010	12000 MM ±300 MM	SF-SFPP2EPASS-012	24 EXD	A



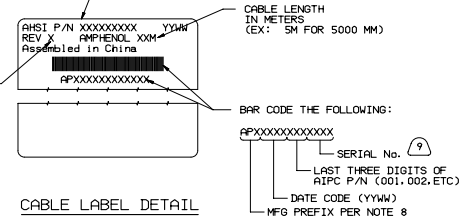
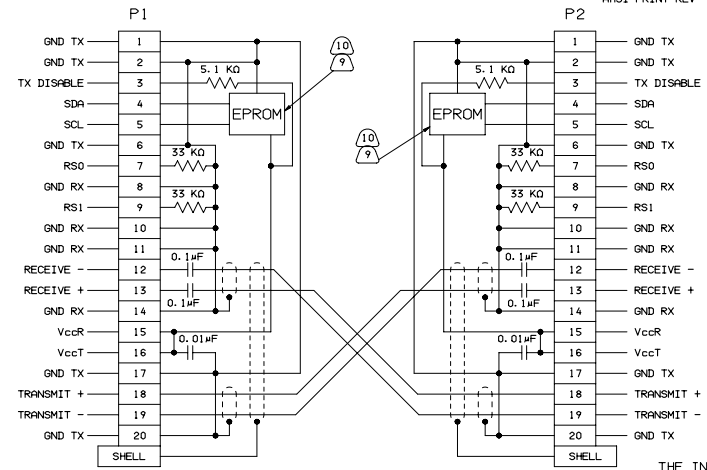
ACD P/N

AMPHENOL CABLES ON DEMAND  
SF-SFPP2EPASS-XXX  
SFP+ /SFP+ PASSIVE, XM  
MM/YY  
WWW.CABLESONDEMAND.COM  
866-223-2860

CABLE LENGTH IN METERS

DATE CODE

BAG LABEL DETAIL



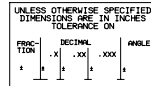
CABLE LABEL DETAIL

- ALL MATERIALS USED IN THE MANUFACTURE OF THIS ASSEMBLY SHALL COMPLY WITH AMPHENOL REGULATED MATERIALS SPECIFICATION CS-1152.
- POT MOLD BOTH CABLE ENDS PER MFG PROCESS. A SECONDARY POT MOLD SHALL BE ADDED TO COVER CABLE TERMINATION AREAS.
- CAUTION: ANTI-STATIC CONTROL MEASURES MUST BE OBSERVED DURING THE MANUFACTURE OF THIS ASSEMBLY.
- EPRM PROGRAM PER AMPHENOL SPEC CS-1154. EPROM SERIAL NO. MUST MATCH CABLE LABEL SERIAL NO.
- MARK LABEL WITH SERIAL NUMBER. MEXICO LOCATION PREFIX IS "APE"; ENDICOTT LOCATION PREFIX IS "APL"; CHINA LOCATION PREFIX IS "APF".
- INSTALL DUST COVER OVER APPLICABLE CONNECTOR PER MFG PROCESS PRIOR TO SHIPMENT TO CUSTOMER.
- PACKAGE COMPLETED ASSY IN AN APPROPRIATELY SIZED ANTI-STATIC BAG. LABEL PER BAG LABEL DETAIL.
- THIS DRAWING IS SIMILAR TO AMPHENOL DWG 57154XXXX.
- UL LABEL MUST BE ON THE SHIPPING CARTON PER SUBJECT 764 OF THE UL COMPONENT WIRING HARNESS (ZPFM2) FILE #86140. CSA LABEL MUST BE ON SHIPPING CARTON.
- A PRE-PRINTED LABEL WITH THE INFORMATION SHOWN IN THE CABLE LABEL DETAIL IS POSITIONED WITHIN THE INDICATED AREA ON THE CABLE ASSEMBLY.
- TEST COMPLETED ASSEMBLIES PER AMPHENOL CS-1155. TEST ASSEMBLIES AT 10.3125 Ω.
- THIS DRAWING IS RESERVED FOR AMPHENOL CABLES ON DEMAND.

- PERMANENTLY MARK LABEL WITH "MEE" LOG AND "CEC" LOGO. REF AHSI SPEC CS-1210. A ROHS2 CERTIFICATE OF COMPLIANCE MUST BE INCLUDED IN EACH SHIPPING CARTON.
- SOLDER PER AMPHENOL CS-1186 (LEAD FREE SOLDER).
- WRAP ONE TURN OF COPPER TAPE AROUND CABLE JACKET END BEFORE PULLING BACK BRAID.

THE INFORMATION CONTAINED IN THIS DRAWING IS THE SOLE PROPERTY OF AMPHENOL INTERCONNECT PRODUCTS CORPORATION. ANY REPRODUCTION OR DISCLOSURE, TO THIRD PARTIES, IN PART OR WHOLE, WITHOUT THE EXPRESS WRITTEN PERMISSION OF AMPHENOL INTERCONNECT PRODUCTS CORPORATION IS PROHIBITED.

NOTES: UNLESS OTHERWISE SPECIFIED



SIGNATURES		DATE	Amphenol Interconnect Products
DRAWN D. CASHIMERE		7/13	
CHECKED			
APPROVED			SIZE D
APPROVED			62438XXXX
			SCALE: NONE
			SHEET 1 OF 1

