



Chipsmall Limited consists of a professional team with an average of over 10 year of expertise in the distribution of electronic components. Based in Hongkong, we have already established firm and mutual-benefit business relationships with customers from,Europe,America and south Asia,supplying obsolete and hard-to-find components to meet their specific needs.

With the principle of “Quality Parts,Customers Priority,Honest Operation,and Considerate Service”,our business mainly focus on the distribution of electronic components. Line cards we deal with include Microchip,ALPS,ROHM,Xilinx,Pulse,ON,Everlight and Freescale. Main products comprise IC,Modules,Potentiometer,IC Socket,Relay,Connector.Our parts cover such applications as commercial,industrial, and automotives areas.

We are looking forward to setting up business relationship with you and hope to provide you with the best service and solution. Let us make a better world for our industry!



## Contact us

Tel: +86-755-8981 8866 Fax: +86-755-8427 6832

Email & Skype: info@chipsmall.com Web: www.chipsmall.com

Address: A1208, Overseas Decoration Building, #122 Zhenhua RD., Futian, Shenzhen, China



# PRODUCT DATA DRAWING

REVISION HISTORY			
REV	DESCRIPTION	DATE	APPROVED
-	REL. DCN 32957	04/05	STW

## MATERIAL

BODY,  
HEX NUT &  
LOCKWASHER:

STAINLESS STEEL PER AMS-5640,  
ALLOY UNS S30300, TYPE I

CONTACT:

BERYLLIUM COPPER PER ASTM B196,  
ALLOY UNS C17300, TD04

INSULATOR:

PTFE PER ASTM D1710, TYPE I, GRADE 1, CLASS B

O'RING:

FLUOROSILICONE 60(DUROMETER)  
PER MIL-P-25988, CLASS 1, TYPE I

## FINISH

BODY,  
HEX NUT &  
LOCKWAHSEER:

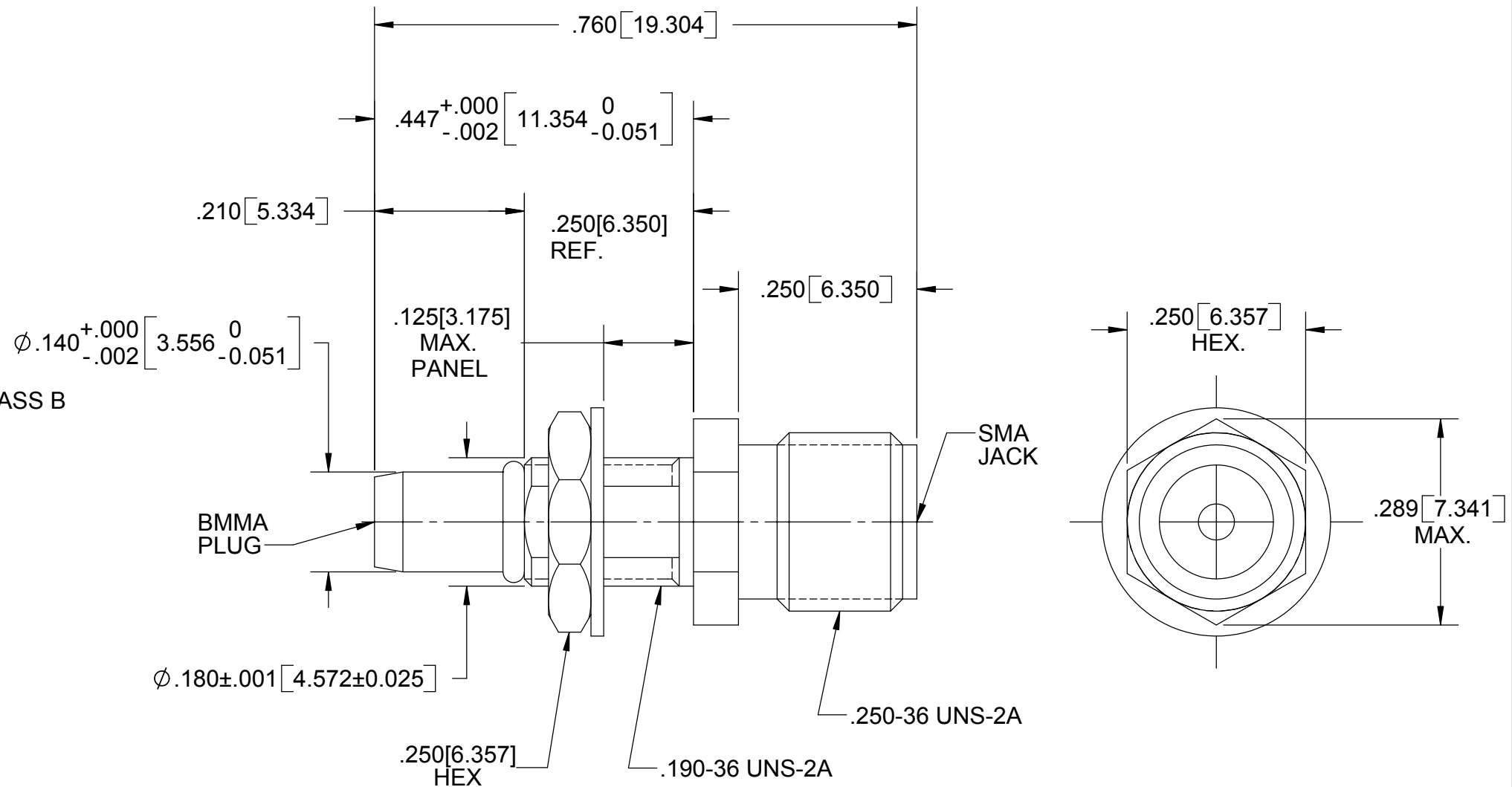
PASSIVATED PER AMS-QQ-P-35, TYPE II

CONTACT:

GOLD PER ASTM B 488, TYPE II,  
CODE C, CLASS .76; OVER NICKEL  
PER AMS-QQ-N-290, CLASS 1, .000050" MIN.

## PERFORMANCE

IMPEDANCE: 50 OHMS  
 FREQ. RANGE: DC TO 18.0 GHz  
 VSWR: 1.05+.01f(GHz) DC TO 18.0 GHz  
 OPERATING TEMP.: -65°C TO +125°C  
 ENGAGEMENT: 3 IN-LBS  
 DISENGAGEMENT: 1.5 IN-LBS.  
 D.W.V.: 675 VRMS  
 INS. RES.: 5000 MEGOHMS



$\phi .182^{+.002}_{-.000}$  [4.623<sup>+0.051</sup><sub>0</sub>]  
 RECOMMENDED  
 MOUNTING HOLE

MATERIAL: SEE NOTES	DIMENSIONS ARE IN INCHES TOLERANCES: FRACTIONAL: $\pm 1/64$ ANGULAR: X° $\pm 1'0''$ X'X' $\pm 15'$	UNLESS OTHERWISE SPECIFIED 1) ALL DIMENSIONS ARE IN INCHES[MILLIMETERS] 2) ALL DIMENSIONS ARE AFTER PLATING. 3) BREAK CORNERS & EDGES .005 R. MAX. 4) CHAM. 1ST & LAST THREADS. 5) SURFACE ROUGHNESS 63 - MIL-STD-10. 6) DIA.'S ON COMMON CENTERS TO BE CONCENTRIC WITHIN T.I.R. 7) REMOVE ALL BURRS	<b>SV Microwave, Inc.</b> 2400 Centrepark West Drive, Suite 100 West Palm Beach, FL 33409
FINISH: SEE NOTES	DECIMAL: .X $\pm .030$ .XX $\pm .010$ .XXX $\pm .005$	INTERPRET DIMENSIONS AND TOLERANCES PER ASME Y14.5M - 1994	TITLE: <b>BMMA PLUG TO SMA JACK ADAPTER</b>
SURFACE AREA: N/A	<b>THIRD ANGLE PROJECTION</b>	DRAWN: MGT 04/18/05	SIZE: <b>B</b> CAGE CODE: <b>95077</b> DWG. NO.: <b>SF1114-6008</b>
<b>PROPRIETARY</b> THE INFORMATION CONTAINED IN THIS DRAWING IS THE SOLE PROPERTY OF SV MICROWAVE, INC. ANY REPRODUCTION IN PART OR AS A WHOLE WITHOUT THE WRITTEN PERMISSION OF SV MICROWAVE, INC IS PROHIBITED.		CHECKED: STW 04/18/05	SCALE: 5:1
		APPROVED: STW 04/18/05	SHEET 1 OF 1