



Chipsmall Limited consists of a professional team with an average of over 10 year of expertise in the distribution of electronic components. Based in Hongkong, we have already established firm and mutual-benefit business relationships with customers from,Europe,America and south Asia,supplying obsolete and hard-to-find components to meet their specific needs.

With the principle of “Quality Parts,Customers Priority,Honest Operation,and Considerate Service”,our business mainly focus on the distribution of electronic components. Line cards we deal with include Microchip,ALPS,ROHM,Xilinx,Pulse,ON,Everlight and Freescale. Main products comprise IC,Modules,Potentiometer,IC Socket,Relay,Connector.Our parts cover such applications as commercial,industrial, and automotives areas.

We are looking forward to setting up business relationship with you and hope to provide you with the best service and solution. Let us make a better world for our industry!



## Contact us

Tel: +86-755-8981 8866 Fax: +86-755-8427 6832

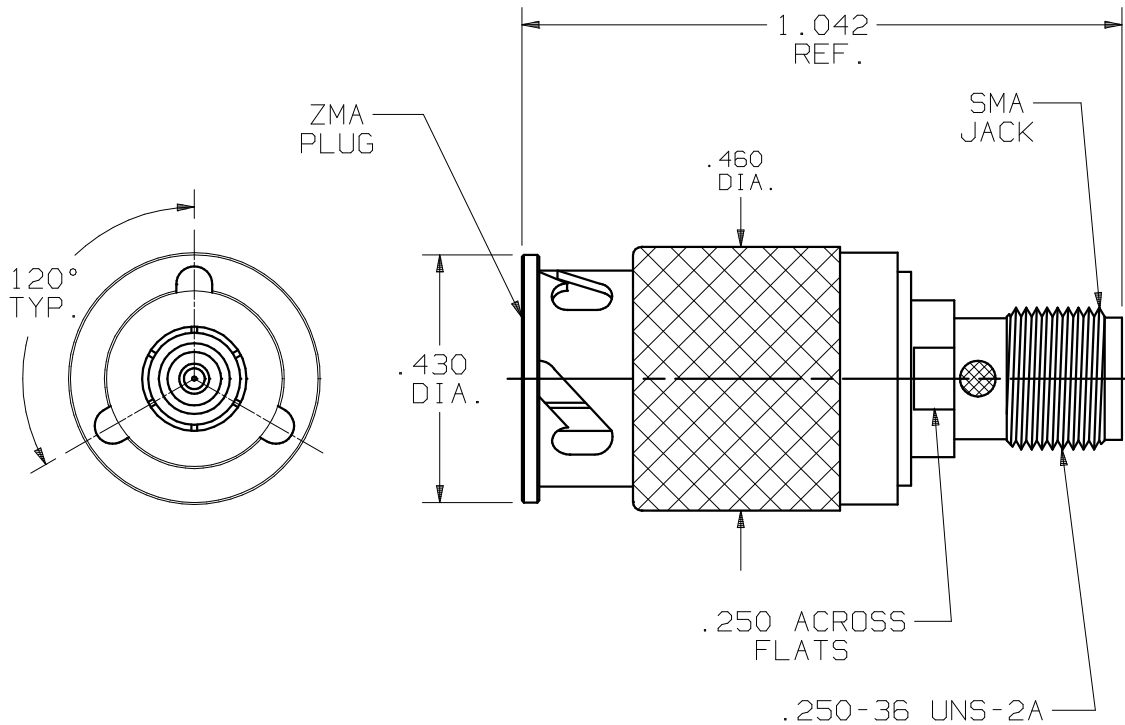
Email & Skype: info@chipsmall.com Web: www.chipsmall.com

Address: A1208, Overseas Decoration Building, #122 Zhenhua RD., Futian, Shenzhen, China



# PRODUCT DATA DRAWING

CAD GENERATED DRAWING	DCN CONTROLLED DOCUMENT	DWG. NO. <b>SF1122-6032</b>
-----------------------------	-------------------------------	--------------------------------



**MATERIALS:**

BODY,  
WASHERS,  
COUPLING NUT: STAINLESS STEEL PER  
AMS-5640, UNS S30300 (TYPE I), COND. A  
  
INSULATOR: TEFLON PER ASTM-D-1457.  
  
CONTACTS &  
LOCK RING: BERYLLIUM COPPER PER ASTM-B196  
COND. TDO4, ALLOY UNS-C17300.  
  
SPRING: 17-7 PH STAINLESS STEEL.

**FINISHES:**

BODY,  
SPRING,  
WASHERS,  
COUPLING NUT: PASSIVATE PER QQ-P-35C  
  
CONTACTS: GOLD PER MIL-G-45204, TYPE I,  
GRADE C, CLASS 0 OVER NICKEL PER QQ-N-290  
CLASS 1

**ELECTRICAL:**

IMPEDANCE: 50 OHMS  
FREQ. RANGE: DC-12.4 GHz  
D.W.V.: 1000 VRMS  
INSUL. RES.: 5,000 MEGOHMS MIN

SYM.	DESCRIPTION	DATE	APPR.	UNLESS OTHERWISE SPECIFIED: 1) ALL DIMENSIONS ARE AFTER PLATING. 2) BREAK CORNERS & EDGES .005 R. MAX. 3) CHAM. 1st & LAST THDS. 4) SURFACE ROUGHNESS 63 J MIL-STD-10. 5) DIAS. ON COMMON CENTERS TO BE CONCENTRIC WITHIN .005 T.I.R. 6) REMOVE ALL BURRS.	DIMENSIONS ARE IN INCHES TOLERANCES: DECIMALS      FRACTIONAL      ANGULAR .X ±.030                                  X° ±1°0' .XX ±.015                                 ±1/64                                        X°X' ±15' .XXX ±.005			<b>SV Microwave, Inc.</b> 2400 Centrepark West Drive, Suite 100 West Palm Beach, FL 33409	
—	REL. DCN 24935	12/98	JM		MATERIAL: SEE P/L	TITLE: SMA JACK TO 120° ZMA PLUG ADAPTER			
A	REV. DCN 28217	04/02	STW		FINISH: SEE P/L	AREA: N/A	DWG. NO. SF1122-6032		
					DRAWN: VMJ 12/03/98	SIZE A	CAGE NO. 95077		
					CHECKED: JM 12/04/98	SCALE 3X			
					APPROVED: JM 12/04/98				