



Chipsmall Limited consists of a professional team with an average of over 10 year of expertise in the distribution of electronic components. Based in Hongkong, we have already established firm and mutual-benefit business relationships with customers from,Europe,America and south Asia,supplying obsolete and hard-to-find components to meet their specific needs.

With the principle of “Quality Parts,Customers Priority,Honest Operation,and Considerate Service”,our business mainly focus on the distribution of electronic components. Line cards we deal with include Microchip,ALPS,ROHM,Xilinx,Pulse,ON,Everlight and Freescale. Main products comprise IC,Modules,Potentiometer,IC Socket,Relay,Connector.Our parts cover such applications as commercial,industrial, and automotives areas.

We are looking forward to setting up business relationship with you and hope to provide you with the best service and solution. Let us make a better world for our industry!



Contact us

Tel: +86-755-8981 8866 Fax: +86-755-8427 6832

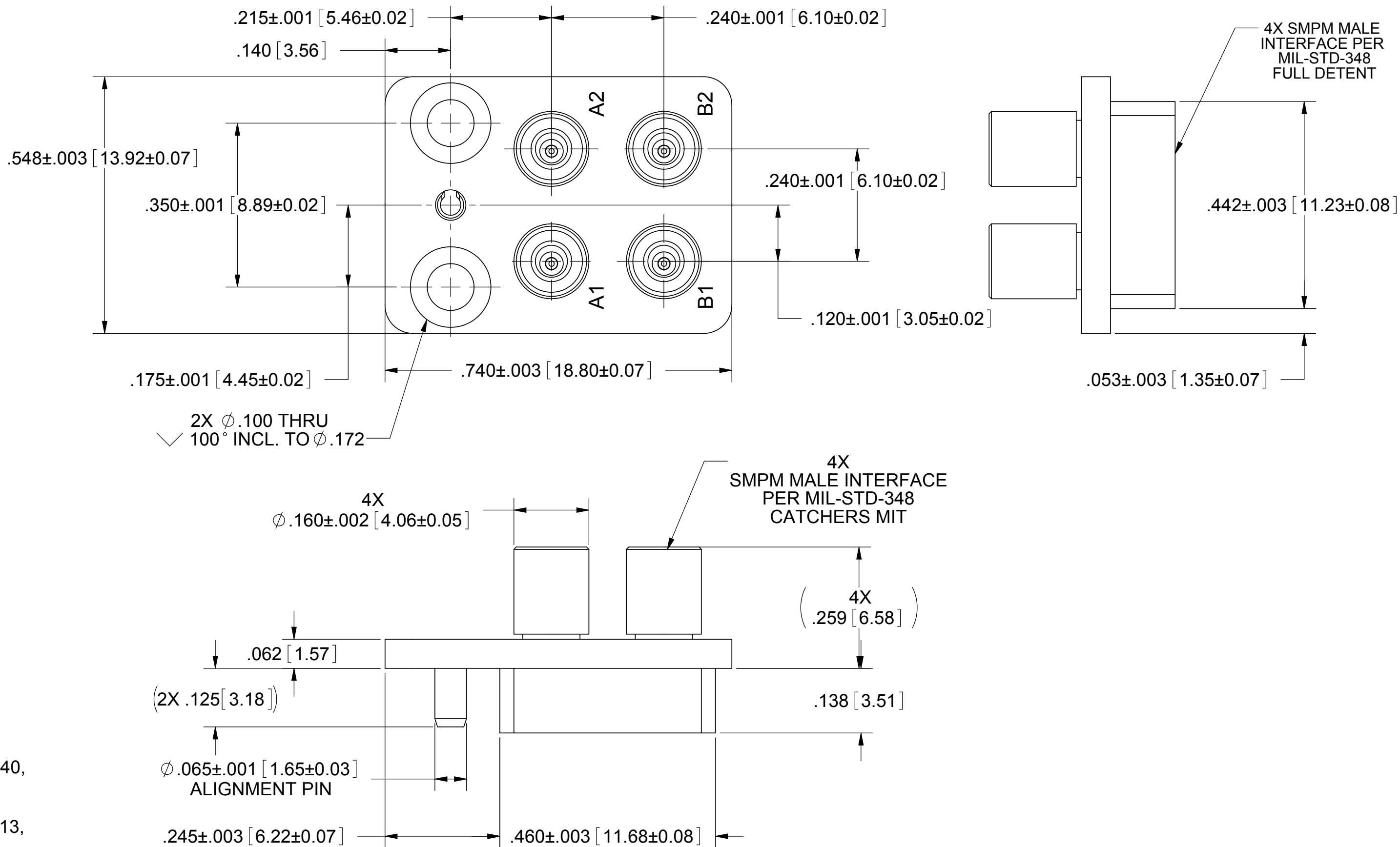
Email & Skype: info@chipsmall.com Web: www.chipsmall.com

Address: A1208, Overseas Decoration Building, #122 Zhenhua RD., Futian, Shenzhen, China

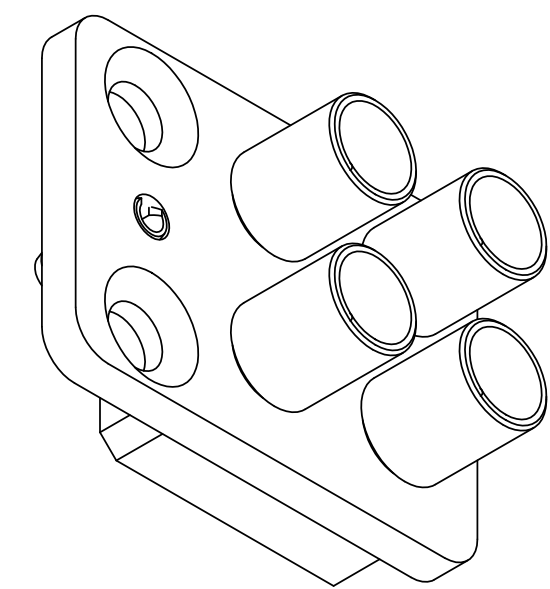


PRODUCT DATA DRAWING

REVISION HISTORY			
REV.	DESCRIPTION	DATE	APPROVED
B	DCN 42423	06/16	STW



MATERIAL:
FLANGE: STAINLESS STEEL PER AMS-5640, ALLOY UNS S30300, TYPE 1.
SPRING PINS: STAINLES STEEL PER ASTM A313, ALLOY UNS S30200, TYPE 302.
CONTACTS & SMPM BODIES: BERYLLIUM COPPER PER ASTM B196, ALLOY No. UNS C17300, TD04.
INSULATORS: PTFE PER ASTM D1710, TYPE I, GRADE 1, CLASS B.
FINISH:
FLANGE & SPRING PINS: PASSIVATED PER AMS-2700.
CONTACTS & SMPM BODIES: GOLD PER ASTM B488, TYPE II, CODE C, CLASS 1.27, OVER NICKEL PER AMS-QQ-N-290, CLASS 1, .00005" MIN.
PERFORMANCE:
IMPEDANCE: 50 OHMS
FREQ. RANGE: DC TO 26.5 GHz
VSWR: 1.50:1 MAX, MATED PAIR, DC TO 26.5 GHz
INSERTION LOSS: .12 X SQRT(F IN GHz)
DWV: 1000 VRMS



MATERIAL: SEE NOTES	DIMENSIONS ARE IN INCHES TOLERANCES: ANGULAR: $\pm 1^\circ$ ONE PLACE DECIMAL $\pm .030$ TWO PLACE DECIMAL $\pm .010$ THREE PLACE DECIMAL $\pm .005$	UNLESS OTHERWISE SPECIFIED: 1. ALL DIMENSIONS ARE AFTER PLATING. 2. BREAK CORNERS & EDGES R.005 MAX. 3. CHAMFER 1ST AND LAST THREAD. 4. SURFACE ROUGHNESS 63 PER MIL-STD-10. 5. DIA'S ON COMMON CENTERS TO BE CONCENTRIC WITHIN .005 T.I.R. 6. REMOVE ALL BURRS.	SV Microwave, Inc. 2400 Centrepark West Drive, Suite 100 West Palm Beach, FL 33409 TITLE: MULTIPOINT ADAPTER 4 POSITION MODULE	
FINISH: SEE NOTES				
DO NOT SCALE DRAWING			CHECKED: STW 01/06/11	SIZE: C
PROPRIETARY			APPROVED: STW 01/06/11	CAGE CODE: 95077
THE INFORMATION CONTAINED IN THIS DRAWING IS THE SOLE PROPERTY OF SV MICROWAVE, INC. ANY REPRODUCTION IN PART OR AS A WHOLE WITHOUT THE WRITTEN PERMISSION OF SV MICROWAVE, INC. IS PROHIBITED.			E.M. SIMULATION: N/A	DWG. NO. SF1132-6037
				SCALE: 5:1
				SHEET 1 OF 1