



Chipsmall Limited consists of a professional team with an average of over 10 year of expertise in the distribution of electronic components. Based in Hongkong, we have already established firm and mutual-benefit business relationships with customers from,Europe,America and south Asia,supplying obsolete and hard-to-find components to meet their specific needs.

With the principle of “Quality Parts,Customers Priority,Honest Operation,and Considerate Service”,our business mainly focus on the distribution of electronic components. Line cards we deal with include Microchip,ALPS,ROHM,Xilinx,Pulse,ON,Everlight and Freescale. Main products comprise IC,Modules,Potentiometer,IC Socket,Relay,Connector.Our parts cover such applications as commercial,industrial, and automotives areas.

We are looking forward to setting up business relationship with you and hope to provide you with the best service and solution. Let us make a better world for our industry!



Contact us

Tel: +86-755-8981 8866 Fax: +86-755-8427 6832

Email & Skype: info@chipsmall.com Web: www.chipsmall.com

Address: A1208, Overseas Decoration Building, #122 Zhenhua RD., Futian, Shenzhen, China



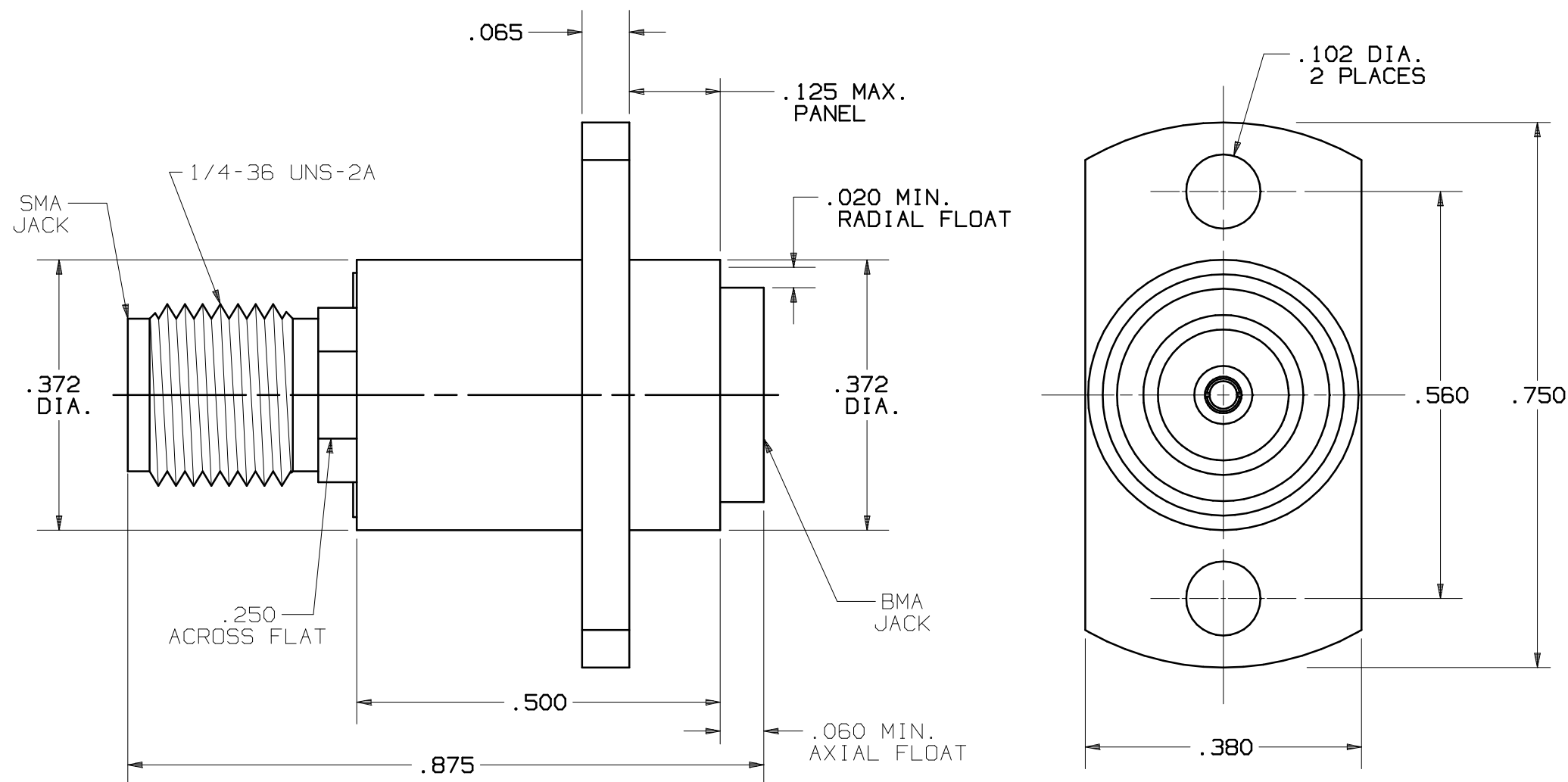
PRODUCT DATA DRAWING

CAD
GENERATED
DRAWING

DCN
CONTROLLED
DOCUMENT

DWG. NO.

SF 1157-6009



MATERIALS:

BODIES & INSERT: STAINLESS STEEL PER AMS-5640, UNS S30300, TYPE I

CONTACT, CONTACT SLEEVE: BERYLLIUM COPPER PER ASTM-196, COND. TD04, ALLOY UNS-C17300

SHIM SPRING, OUTER CONTACT: BERYLLIUM COPPER PER ASTM-B-194, COND. TD04, ALLOY UNS-C17200

INSULATOR: TEFLON PER ASTM-D-1457

LOCK RING: STAINLESS STEEL PER ASTM-A-240, ALLOY UNS S30400, TYPE 304

COIL SPRING: 302 STAINLESS STEEL

FINISHES:

BODY, INSERT, LOCK RING, OUTER BODY & COIL SPRING: PASSIVATE PER QQ-P-35C TYPE II

CONTACT, CONTACT SLEEVE, SHIM SPRING, OUTER CONTACT: GOLD PER MIL-G-45204, TYPE I, GRADE C, CLASS 0 OVER NICKEL PER QQ-N 290 CLASS 2

ELECTRICAL:

IMPEDANCE: 50 OHMS
FREQ. RANGE: DC-22 GHZ
DWV: 1000 VRMS
INSUL. RES.: 5000 MEGOHMS, MIN.

SYM.	DESCRIPTION	DATE	APPR.	UNLESS OTHERWISE SPECIFIED: 1) ALL DIMENSIONS ARE AFTER PLATING. 2) BREAK CORNERS & EDGES .005 R. MAX. 3) CHAM. 1st & LAST THDS. 4) SURFACE ROUGHNESS 63 J MIL-STD-10. 5) DIAS. ON COMMON CENTERS TO BE CONCENTRIC WITHIN .004 T.I.R. 6) REMOVE ALL BURRS.	DIMENSIONS ARE IN INCHES TOLERANCES:			SV Microwave, Inc. 3301 Electronics Way West Palm Beach, FL 33407 TITLE: SMA JACK TO BMA JACK, FLOATING FLANGE MOUNTED ADAPTER DWG. NO. SF 1157-6009
				DECIMALS .X ±.030 .XX ±.015 .XXX ±.005	FRACTIONAL ±1/64	ANGULAR X° ±1'0" X°X' ±15'	□" AREA: N/A	
-	REL. NRN 27232	07/01	STW		MATERIAL: SEE ABOVE			
				DRAWN: VMJ 07/24/01	FINISH: SEE ABOVE			
				CHECKED: STW 07/25/01	SIZE B	CAGE NO. 95077	SCALE 5X	
				APPROVED: STW 07/25/01				