



Chipsmall Limited consists of a professional team with an average of over 10 year of expertise in the distribution of electronic components. Based in Hongkong, we have already established firm and mutual-benefit business relationships with customers from,Europe,America and south Asia,supplying obsolete and hard-to-find components to meet their specific needs.

With the principle of “Quality Parts,Customers Priority,Honest Operation,and Considerate Service”,our business mainly focus on the distribution of electronic components. Line cards we deal with include Microchip,ALPS,ROHM,Xilinx,Pulse,ON,Everlight and Freescale. Main products comprise IC,Modules,Potentiometer,IC Socket,Relay,Connector.Our parts cover such applications as commercial,industrial, and automotives areas.

We are looking forward to setting up business relationship with you and hope to provide you with the best service and solution. Let us make a better world for our industry!



## Contact us

Tel: +86-755-8981 8866 Fax: +86-755-8427 6832

Email & Skype: info@chipsmall.com Web: www.chipsmall.com

Address: A1208, Overseas Decoration Building, #122 Zhenhua RD., Futian, Shenzhen, China





# SUNON

## SPECIFICATION FOR APPROVAL

**CUSTOMER** :

**DESCRIPTION** : AXIAL AC FAN

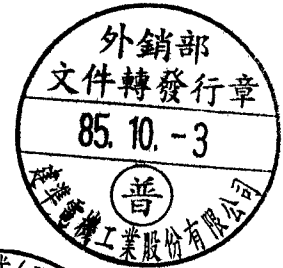
**DIMENSIONS** : 80X80X38 mm

**MODEL** : SF11580A

**P/N** : 1083HBL

**APPROVED NO** :

**APPROVED BY** :  
(AUTHORIZED)



DAWN.		CHKD.		APPD.		SPEC. NO.	283211300
						ISSUE DATE	09.20.1996
						EDITION	0
						REVISE DATE	
						E.SPEC	AC1083-SP02

**EME Fan & Motor**  
 13805 Alton Parkway, Suite B  
 Irvine, CA 92718  
 Telephone: (714) 583-0802 • Fax: (714) 583-0705

# AXIAL AC FAN

MODEL : SF11580A

P/N : 1083HBL



## CHARACTERISTICS

- 1. Motor Design : Reliable Shaded-Pole Motor Construction.
- 2. Insulation Resistance : 500 Megohms minimum at 500 VDC.
- 3. Dielectric Strength : 1500 VAC for one minute.
- 4. Motor Protection : Impedence protected.
- 5. Noise Level : Measured in an semi-anechoic chamber  
with background noise level below 15  
dBA. The fan is running in free air with  
microphone at a distance of one meter  
from the fan intake.
- 6. Air Performance : Measured by a double chamber. The value are  
recorded when the fan speed is stabilized at  
rated voltage.
- 7. Tolerances :  $\pm 15\%$  on rated power and current.



建準電機工業股份有限公司 SUNONWEALTH ELECTRIC MACHINE INDUSTRY CO., LTD.	SPEC. NO.	283211300	REVISE DATE	
	ISSUE DATE	09. 20. 1996	EDITION	0
	PAGE	2 OF 6		

## SPECIFICATIONS

MODEL: SF11580A

P/N : 1083HBL

- 1-1. Rated Voltage : 115/115 VAC 50/60 HZ
- 1-2. Operating Voltage Range : 85-125 VAC
- 1-3. Starting Voltage : 85 VAC
- 1-4. Rated Speed : 2400/2850 RPM $\pm$ 5%
- 1-5. Air Delivery : 24/31 CFM
- 1-6. Static Pressure : 0.13/0.19 Inch-H<sub>2</sub>O
- 1-7. Rated Current : 0.15/0.13 AMP
- 1-8. Input Power : 14/12 WATTS
- 1-9. Noise Level : 32/36.5 dB(A)
- 1-10. Direction of Rotation : Clockwies viewed from front face
- 1-11. Motor Protection : Impredance Protected
- 1-12. Operating Temperature : -10 to +70 Deg.C
- 1-13. Storage Temperature : -40 to +70 Deg.C
- 1-14. Bearing System : Precise ball bearing system
- 1-15. Weight : 340 g
- 1-16. Safety : UL/CSA Approvals



建準電機工業股份有限公司 SUNONWEALTH ELECTRIC MACHINE INDUSTRY CO., LTD.	SPEC. NO.	283211300	REVISE DATE	
	ISSUE DATE	09. 20. 1996	EDITION	0
	PAGE	3 OF 6		

MODEL: SF11580A

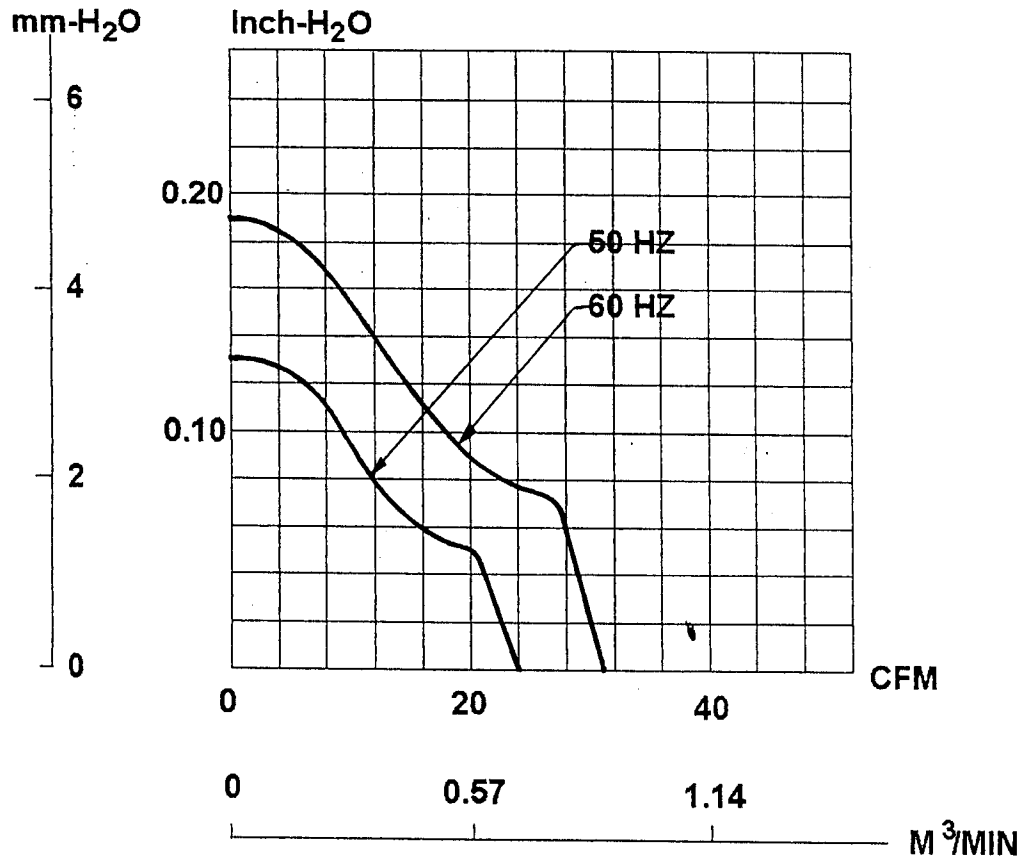
P/N : 1083HBL



PERFORMANCE CURVES



STATIC PRESSURE



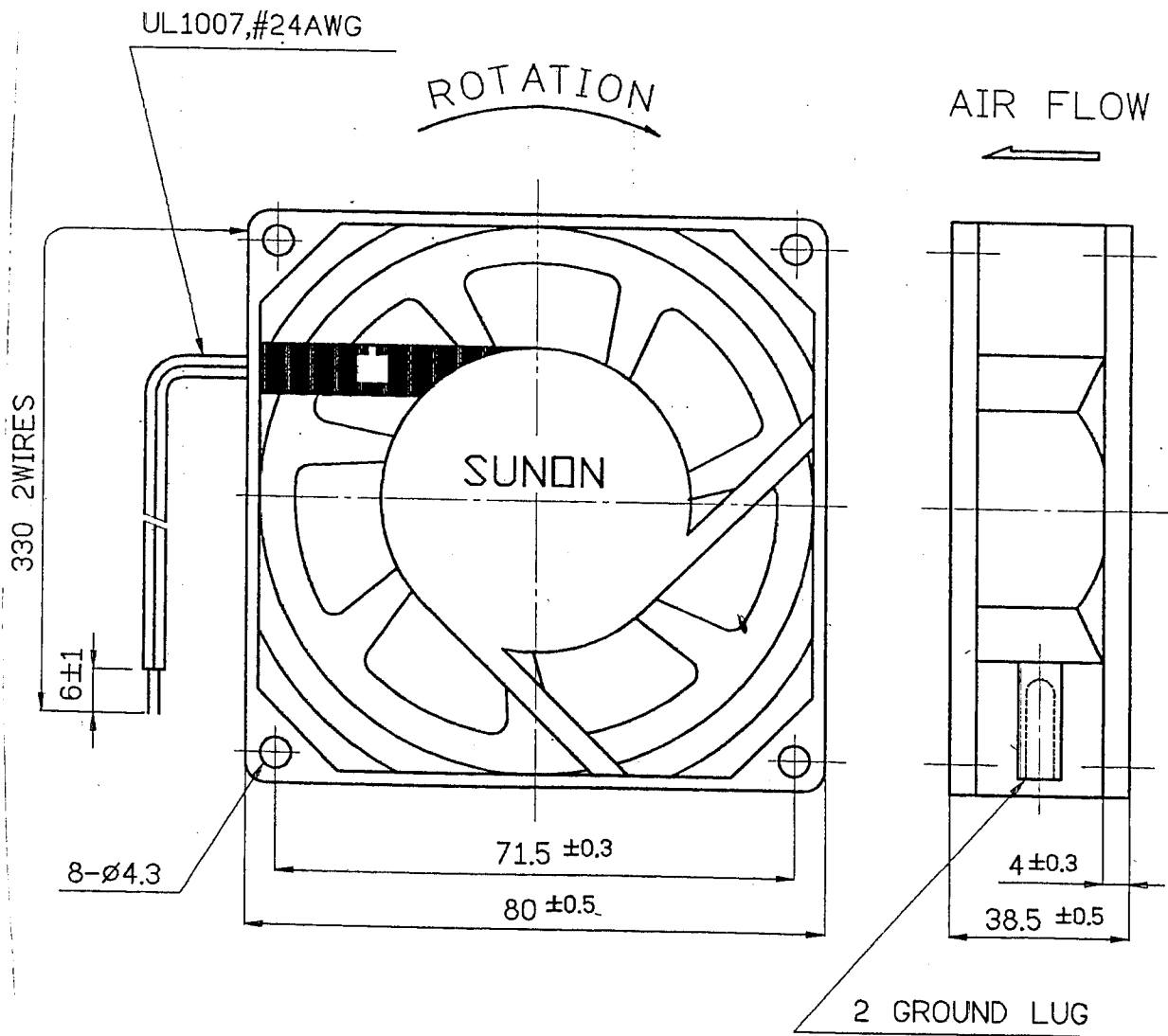
建準電機工業股份有限公司 SUNONWEALTH ELECTRIC MACHINE INDUSTRY CO., LTD.	SPEC. NO.	283211300	REVISE DATE	
	ISSUE DATE	09. 20. 1996	EDITION	0
	PAGE	4 OF 6		



**MATERIAL**

- 2. Material
- 2-1 Frame : Thermoplastic PBT of UL 94V-0
- 2-2. Impeller : Thermoplastic PBT of UL 94V-0
- 2-3. Lead Wire : UL1007,24AWG

**DIMENSIONS**



UNIT : mm

建準電機工業股份有限公司 SUNONWEALTH ELECTRIC MACHINE INDUSTRY CO., LTD.	SPEC. NO.	283211300	REVISE DATE	
	ISSUE DATE	09. 20. 1996	EDITION	0
	PAGE	5 OF 6		