



Chipsmall Limited consists of a professional team with an average of over 10 year of expertise in the distribution of electronic components. Based in Hongkong, we have already established firm and mutual-benefit business relationships with customers from,Europe,America and south Asia,supplying obsolete and hard-to-find components to meet their specific needs.

With the principle of “Quality Parts,Customers Priority,Honest Operation,and Considerate Service”,our business mainly focus on the distribution of electronic components. Line cards we deal with include Microchip,ALPS,ROHM,Xilinx,Pulse,ON,Everlight and Freescale. Main products comprise IC,Modules,Potentiometer,IC Socket,Relay,Connector.Our parts cover such applications as commercial,industrial, and automotives areas.

We are looking forward to setting up business relationship with you and hope to provide you with the best service and solution. Let us make a better world for our industry!



## Contact us

Tel: +86-755-8981 8866 Fax: +86-755-8427 6832

Email & Skype: info@chipsmall.com Web: www.chipsmall.com

Address: A1208, Overseas Decoration Building, #122 Zhenhua RD., Futian, Shenzhen, China



- RF Filter Designed for Front End GPS Applications
- 2.0 x 1.6 mm Surface-Mount Case
- Complies with Directive 2002/95/EC (RoHS)

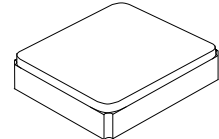


**Absolute Maximum Ratings**

Rating	Value	Units
Maximum Incident Power in Passband	+10	dBm
Max. DC voltage between any 2 terminals	5	VDC
Operating Temperature Range	-30 to +85	°C
Storage Temperature Range	-30 to +95	°C
Max Soldering Profile	265°C for 10 s	

**SF1186H**

**1575.42 MHz  
SAW Filter**



**SM2016-4**

**Electrical Characteristics**

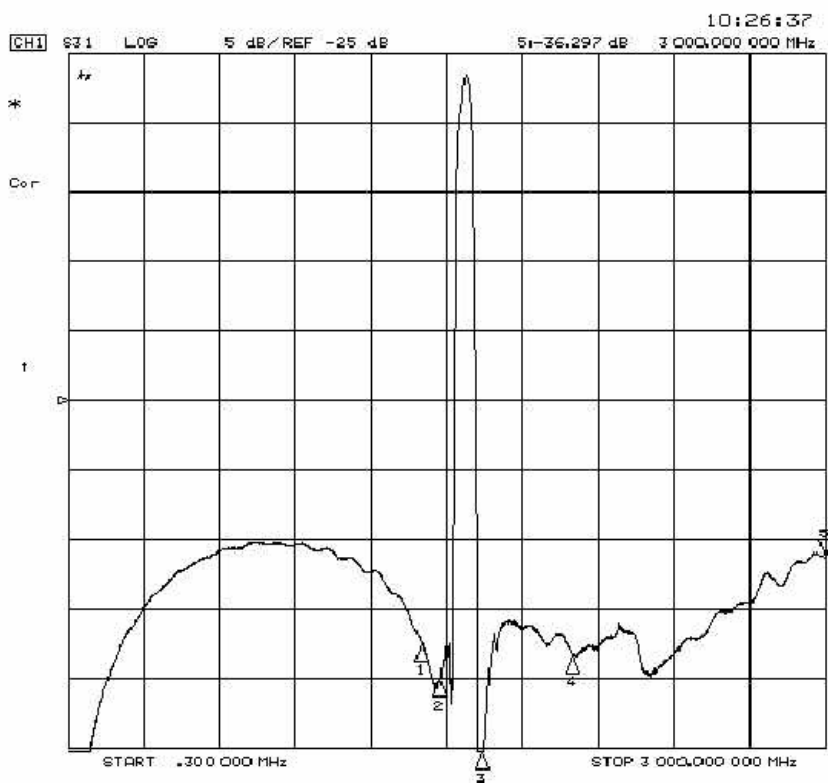
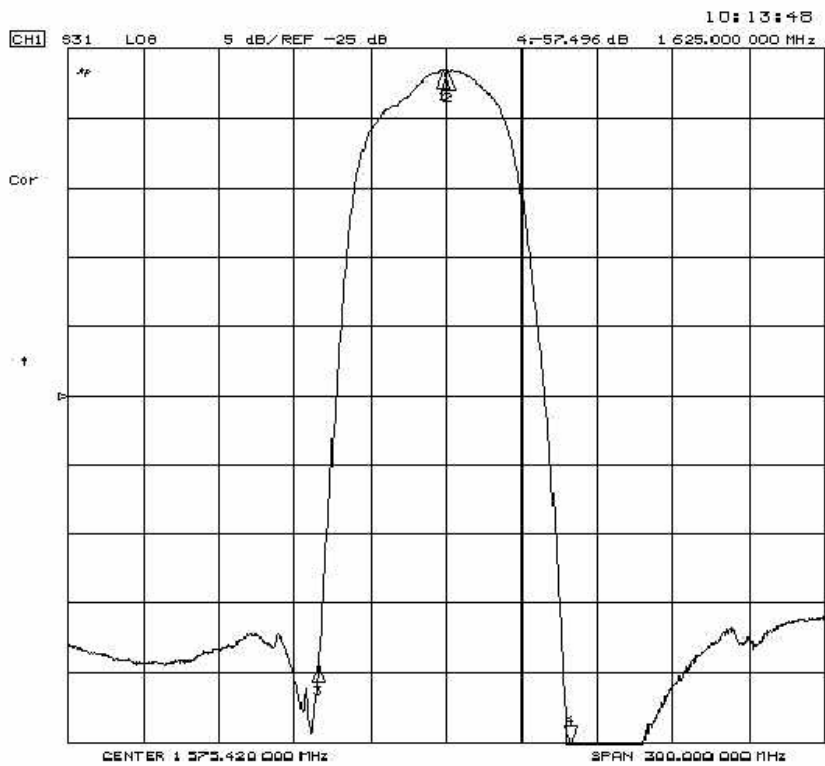
Characteristic	Sym	Notes	Min	Typ	Max	Units
Center Frequency	$f_c$			1575.42		MHz
Max. Insertion Loss (1574.22 - 1576.62 MHz)	IL			1.5	2.2	dB
Amplitude Ripple (1574.22 - 1576.62 MHz)				0.1	1.0	
Attenuation (Reference level from 0 dB)		D.C. ~ 1400 MHz	33	35		dB
		1400 ~ 1475 MHz	35	42		
		1475 ~ 1525 MHz	25	42		
		1625 ~ 1640 MHz	30	53		
		1640 ~ 2000 MHz	35	41		
		2000 ~ 3000 MHz	25	36		
VSWR (1574.22 - 1576.62 MHz)				1.15	2.0	
Terminating Source impedance	$Z_s$			50		$\Omega$
Terminating Load impedance	$Z_L$			50		$\Omega$
Single Ended Input / Output, Impedance match	No matching network required for operation at 50 ohms					
Case Style	SM2016-4					
Lid Symbolization ( Y=year, W=week)	2L, YW					



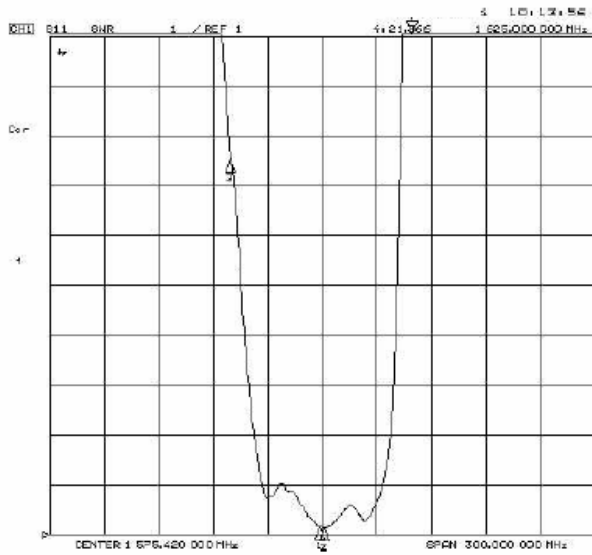
**CAUTION: Electrostatic Sensitive Device. Observe precautions for handling.**

**NOTES:**

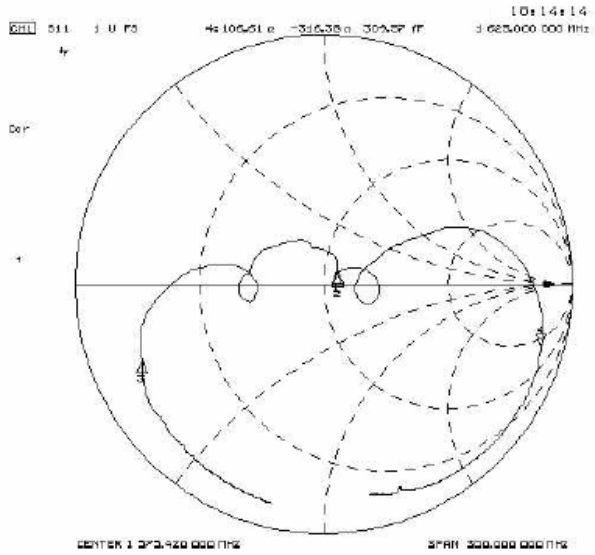
1. US and international patents may apply.
2. Murata, stylized Murata logo, and Murata N.A., Inc. are registered trademarks of Murata Manufacturing Co., Ltd.



## S11 VSWR

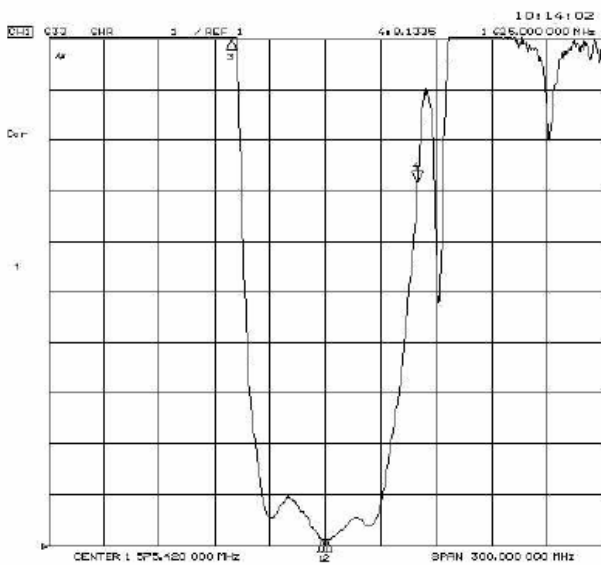


CH1 Markers  
 1: 1.1745  
 1.57422 GHz  
 2: 1.1400  
 1.57562 GHz  
 3: 8.5349  
 1.52500 GHz

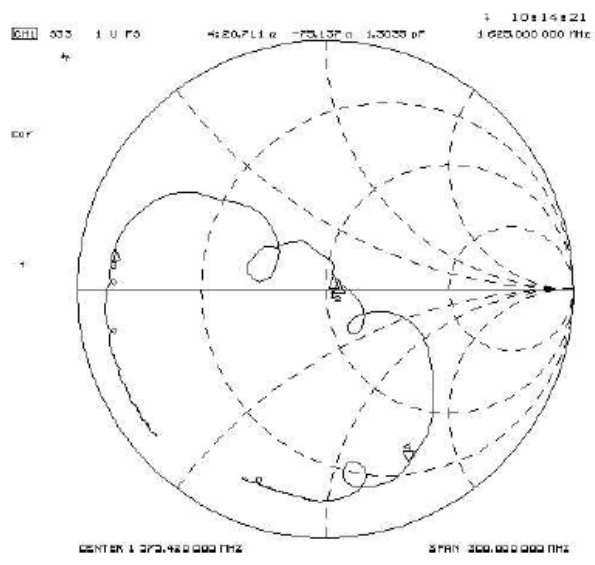


CH1 Markers  
 1: 55.269 dB  
 4.5000 dB  
 1.57422 GHz  
 2: 55.762 dB  
 4.4688 dB  
 1.57562 GHz  
 3: 6.0223 dB  
 -0.9332 dB  
 1.52500 GHz

## S22 VSWR



CH2 Markers  
 1: 1.1385  
 1.57422 GHz  
 2: 1.1421  
 1.57562 GHz  
 3: 13.265  
 1.52500 GHz



CH2 Markers  
 1: 55.107 dB  
 3.8281 dB  
 1.57422 GHz  
 2: 55.037 dB  
 4.1344 dB  
 1.57562 GHz  
 3: 3.7183 dB  
 4.2073 dB  
 1.52500 GHz

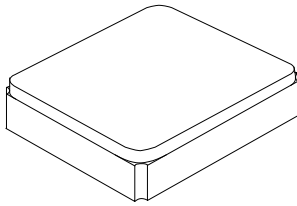
# SM2016-4 Case

## 4-Terminal Ceramic Surface-Mount Case

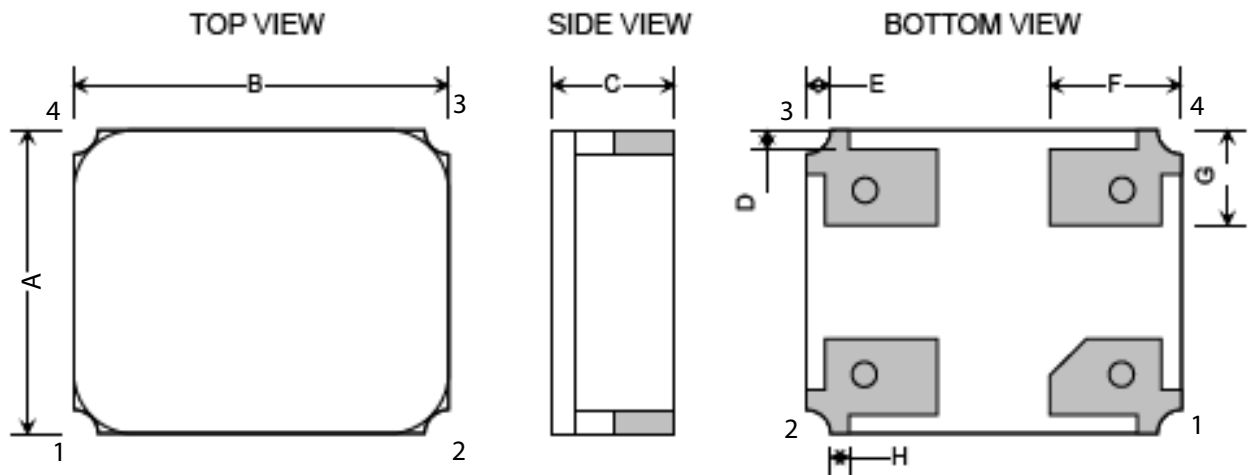
2.0 X 1.6 mm Nominal Footprint

### Electrical Connections

Connection	Terminals
Input	1
Output	3
Ground	2, 4



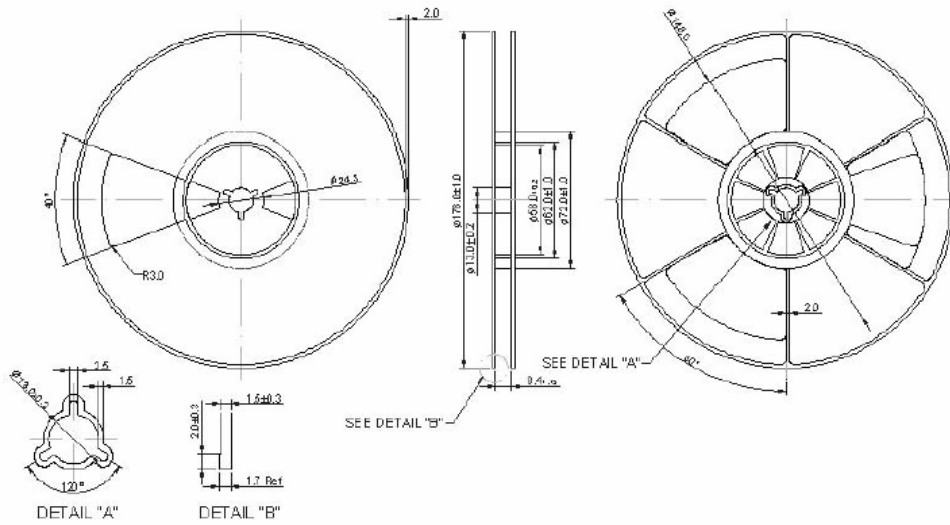
Dimensions	Millimeters			Inches		
	Min	Nom	Max	Min	Nom	Max
A		1.60				
B		2.0				
C		0.90				
D		0.10				
E		0.10				
F		0.70				
G		0.50				
H		0.10				



**F. PACKING:**

**1. REEL DIMENSION**

( Reel Count : 7"=2000 typ. ; 13"=10000 typ.)



**2. TAPE DIMENSION**

