



Chipsmall Limited consists of a professional team with an average of over 10 year of expertise in the distribution of electronic components. Based in Hongkong, we have already established firm and mutual-benefit business relationships with customers from,Europe,America and south Asia,supplying obsolete and hard-to-find components to meet their specific needs.

With the principle of “Quality Parts,Customers Priority,Honest Operation,and Considerate Service”,our business mainly focus on the distribution of electronic components. Line cards we deal with include Microchip,ALPS,ROHM,Xilinx,Pulse,ON,Everlight and Freescale. Main products comprise IC,Modules,Potentiometer,IC Socket,Relay,Connector.Our parts cover such applications as commercial,industrial, and automotives areas.

We are looking forward to setting up business relationship with you and hope to provide you with the best service and solution. Let us make a better world for our industry!



Contact us

Tel: +86-755-8981 8866 Fax: +86-755-8427 6832

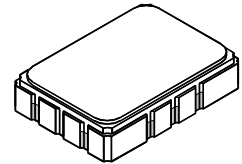
Email & Skype: info@chipsmall.com Web: www.chipsmall.com

Address: A1208, Overseas Decoration Building, #122 Zhenhua RD., Futian, Shenzhen, China



SF2037B-2

**76.500 MHz
SAW Filter**



SMP-03

- *Designed for SDARS IF Receiver*
- *Low Insertion Loss*
- *5.0 X 7.0 mm Surface-Mount Case*
- *Differential or Single Ended Input and Output*
- *Complies with Directive 2002/95/EC (RoHS)*



Absolute Maximum Ratings

Rating	Value	Units
Maximum Incident Power in Passband	+10	dBm
Max. DC voltage between any 2 terminals	30	VDC
Storage Temperature Range (with tape & reel)	-40 to +85	°C
Storage Temperature Range (without tape & reel)	-50 to +125	°C
Max Soldering Profile	265°C for 10 s	

Electrical Characteristics

Characteristic	Sym	Notes	Min	Typ	Max	Units			
Nominal Center Frequency	f_c	1	76.500			MHz			
Passband	Insertion Loss	IL		10.0	12.5	dB			
			1dB Passband	BW ₁	3.8		4.1	MHz	
			15dB Bandwidth	BW ₁₅			6.7	6.8	MHz
			30dB Bandwidth	BW ₃₀			7.7	7.8	MHz
			Amplitude Ripple over $f_c \pm 1.9$ MHz				0.5	1.10	dB _{P-P}
Group Delay Variation over $f_c \pm 1.9$ MHz	GDV			65	150	ns _{P-P}			
Rejection	50 to 70.44 MHz	1, 3	37	43		dB			
			70.44 to 72.04 MHz	34	43				
			81.26 to 82.56 MHz	38	49				
			82.56 to 86.50 MHz	39	48				
			86.5 to 91.50 MHz	41	48				
			91.50 to 100.000 MHz	45	58				
Operating Temperature Range	T _A	1	-40		+105	°C			
Frequency Temperature Coefficient	FTC			-18		ppm/°C			
Differential Input			175 ohms						
Differential Output			1000 ohms						
Case Style		6	SMP-03 7 x 5 mm Nominal Footprint						
Lid Symbolization (YY=year, WW=week, S=shift) See note 4			RFM SF2037B-2 YYWWS						

Electrical Connections

Connection	Terminals
Port 1 Hot	10
Port 1 Ground Return	1
Port 2 Hot	5
Port 2 Ground Return	6
Case Ground	All Others



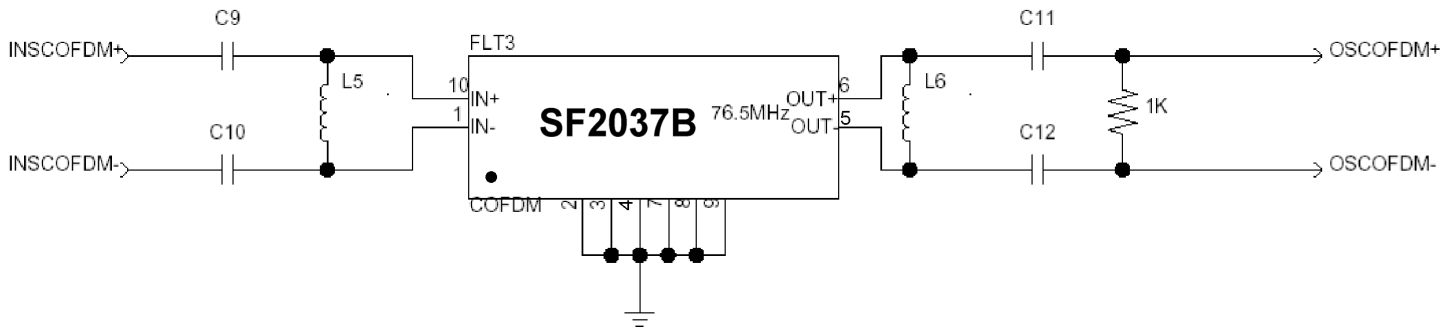
CAUTION: Electrostatic Sensitive Device. Observe precautions for handling.

NOTES:

1. Unless noted otherwise, all specifications apply over the operating temperature range with filter soldered to the specified demonstration board with impedance matching to 50 Ω and measured with 50 Ω network analyzer.
2. Unless noted otherwise, all frequency specifications are referenced to the nominal center frequency, fc.
3. Rejection is measured as attenuation below the minimum IL point in the passband. Rejection in final user application is dependent on PCB layout and external impedance matching design. See Application Note No. 42 for details.
4. "LRIP" or "L" after the part number indicates "low rate initial production" and "ENG" or "E" indicates "engineering prototypes."
5. The design, manufacturing process, and specifications of this filter are subject to change.
6. Tape and Reel Standard ANSI / EIA 481.
7. Either Port 1 or Port 2 may be used for either input or output in the design. However, impedances and impedance matching may vary between Port 1 and Port 2, so that the filter must always be installed in one direction per the circuit design.
8. US and international patents may apply.
9. Murata, stylized Murata logo, and Murata N.A., Inc. are registered trademarks of Murata Manufacturing Co., Ltd.

Matching Circuit and Matching Component Values Used in G3 Sirius Radios

(Refer to Sirius Radio G3 Chipset Application Note, Doc. #RX000104-B, Sec. 4.2.4)

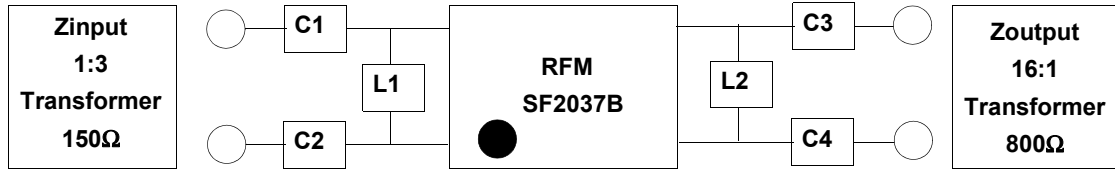


COFDM Narrowband SAW Matching Circuit

COFDM Narrowband SAW Matching Values

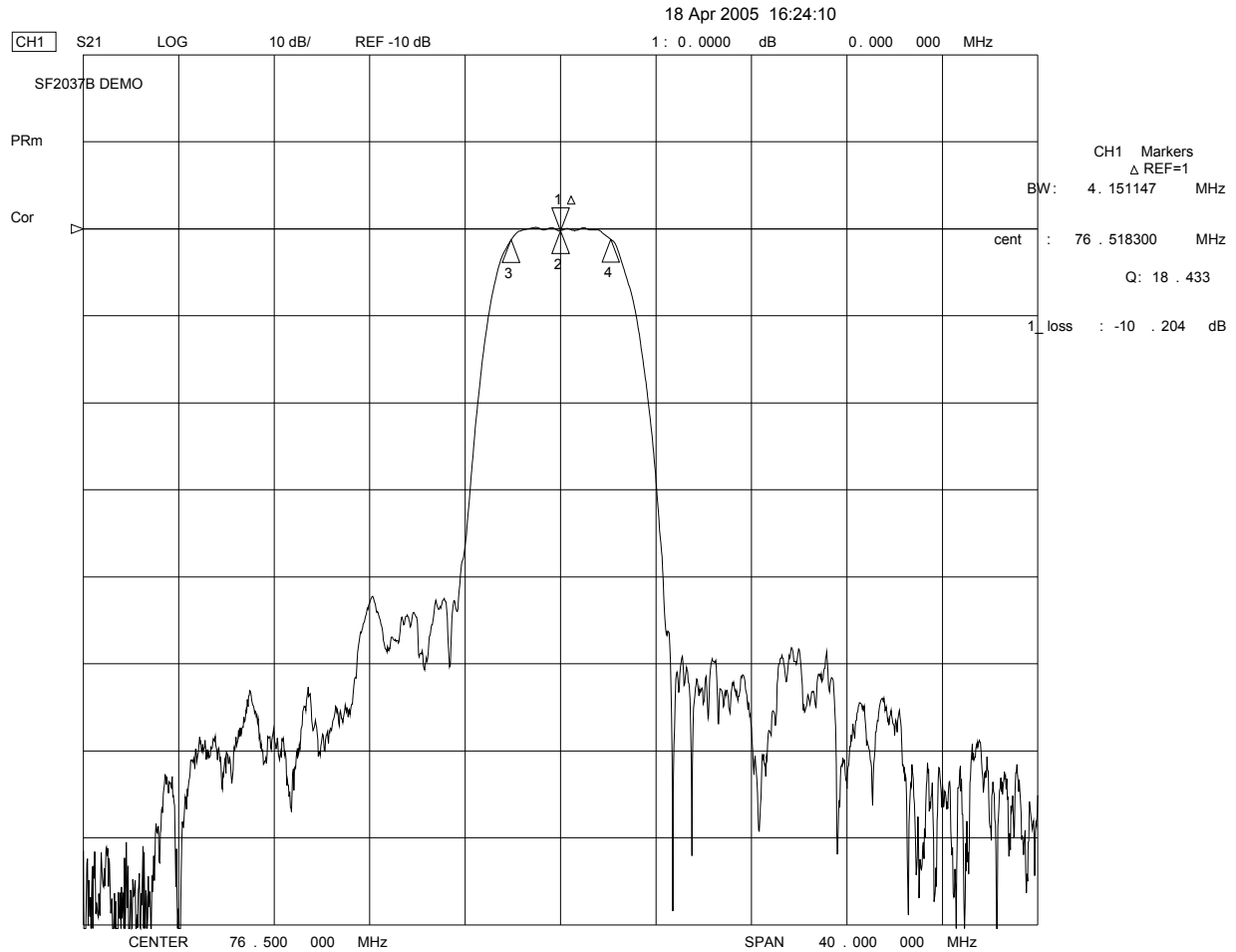
Reference Designator	Value
C9	10 pF
C10	10 pF
L5	270 nH
L6	390 nH
C11	100 pF
C12	100 pF

Matching Circuit and Matching Component Values Used on Filter Demo Board

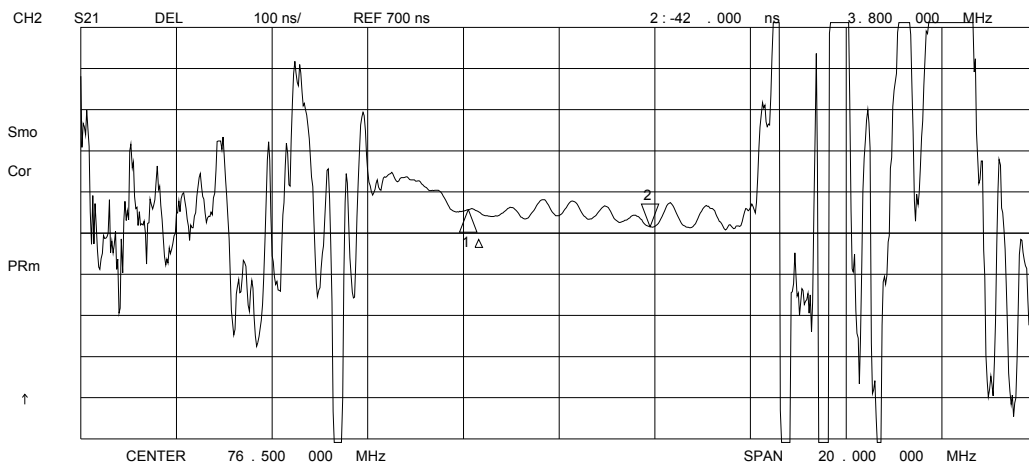
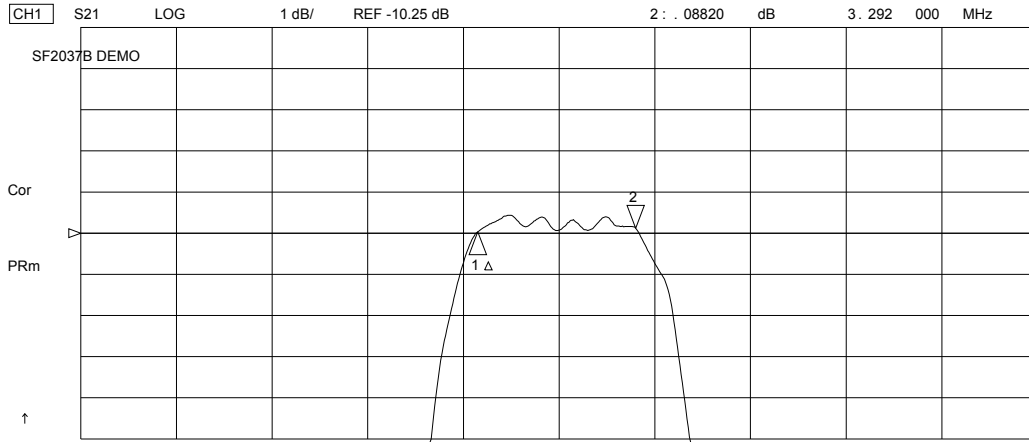


SF2037B
76.500 MHz

C1 = 9pF
C2 = 9pF
L1 = 270nH
L2 = 330nH
C3 = 18pF
C4 = 18pF



18 Apr 2005 16:18:31



18 Apr 2005 16:28:43

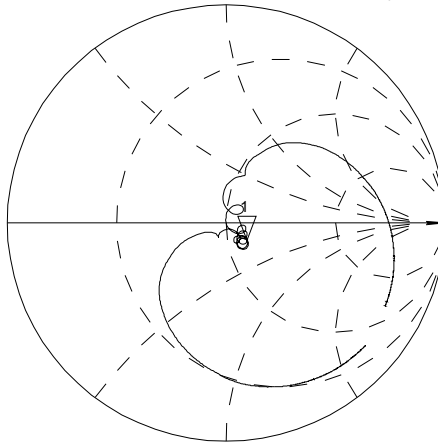
CH1 S11 1 U FS

1: 59.928 Ω -9.8086 Ω 212.11 pF 76.500 000 MHz

SF2037B DEMO

Cor

PRm

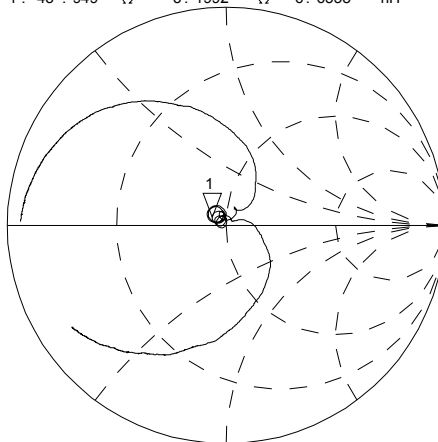


CH2 S22 1 U FS

1: 43.949 Ω 3.1992 Ω 6.6558 nH 76.500 000 MHz

Cor

PRm



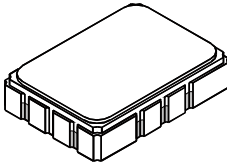
CENTER 76.500 000 MHz

SPAN 40.000 000 MHz

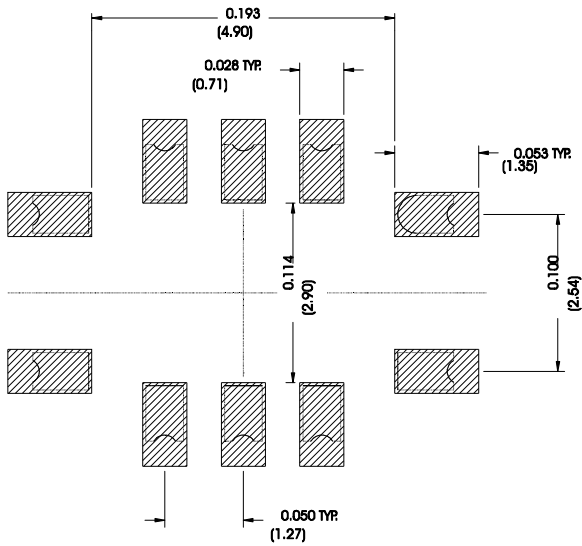
SMP-03 Case

10-Terminal Ceramic Surface-Mount Case

7 x 5 mm Nominal Footprint



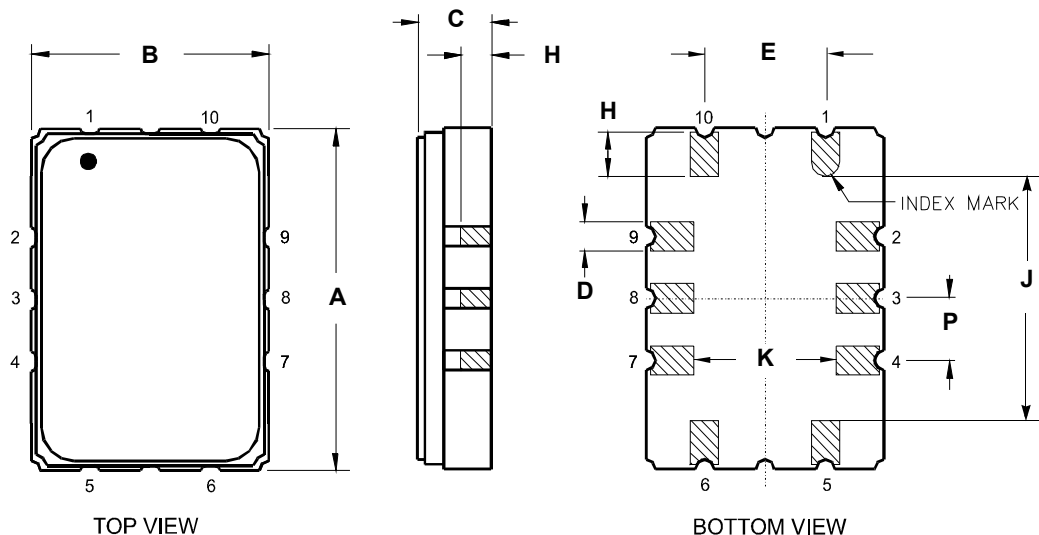
Recommended PCB Footprint



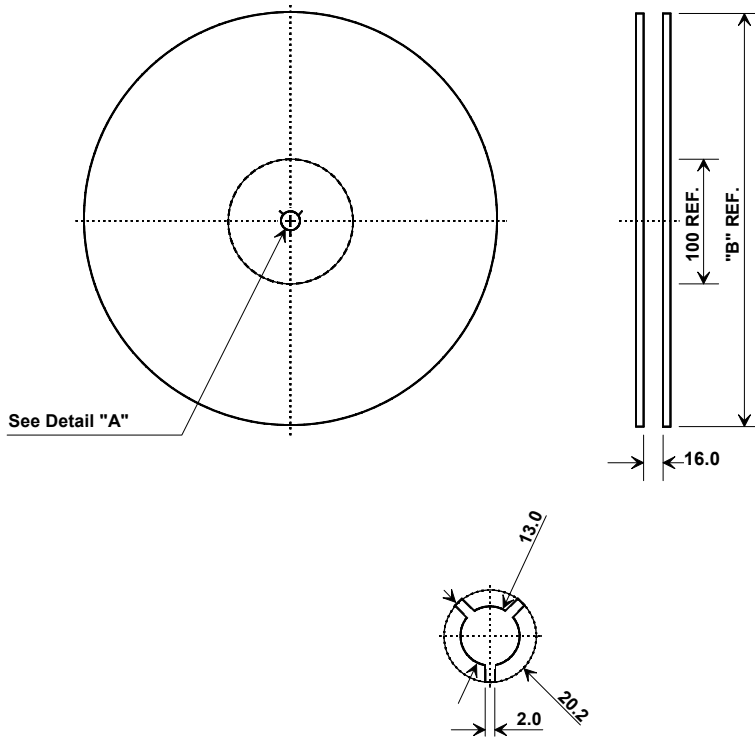
Dimension	mm			Inches		
	Min	Nom	Max	Min	Nom	Max
A	6.80	7.00	7.20	0.268	0.276	0.283
B	4.80	5.00	5.20	0.189	0.197	0.205
C		1.65	2.00		0.065	0.079
D	.47	0.60	.73	0.019	0.024	0.029
E	2.41	2.54	2.67	0.095	0.100	0.105
H	0.87	1.0	1.13	0.034	0.039	0.044
J	4.87	5.00	5.13	0.192	0.197	0.202
K	2.87	3.00	3.13	0.113	0.118	0.123
P	1.14	1.27	1.40	0.045	0.050	0.055

Materials	
Solder Pad Termination	Au plating 30 - 60 ulnches (76.2-152 uM) over 80-200 ulnches (203-508 uM) Ni.
Lid	Fe-Ni-Co Alloy Electroless Nickel Plate (8-11% Phosphorus) 100-200 ulnches Thick
Body	Al ₂ O ₃ Ceramic
Pb Free	

Electrical Connections		
	Connection	Terminals
Port 1	Input or Return	10
	Return or Input	1
Port 2	Output or Return	5
	Return or Output	6
	Ground	All others
Single Ended Operation		Return is ground
Differential Operation		Return is hot



Tape and Reel Specifications



"B" Nominal Size		Quantity Per Reel
Inches	millimeters	
7	178	500
13	330	2000

COMPONENT ORIENTATION and DIMENSIONS

Carrier Tape Dimensions	
Ao	5.5 mm
Bo	7.5 mm
Ko	2.0 mm
Pitch	8.0 mm
W	16.0 mm

