



Chipsmall Limited consists of a professional team with an average of over 10 year of expertise in the distribution of electronic components. Based in Hongkong, we have already established firm and mutual-benefit business relationships with customers from,Europe,America and south Asia,supplying obsolete and hard-to-find components to meet their specific needs.

With the principle of “Quality Parts,Customers Priority,Honest Operation,and Considerate Service”,our business mainly focus on the distribution of electronic components. Line cards we deal with include Microchip,ALPS,ROHM,Xilinx,Pulse,ON,Everlight and Freescale. Main products comprise IC,Modules,Potentiometer,IC Socket,Relay,Connector.Our parts cover such applications as commercial,industrial, and automotives areas.

We are looking forward to setting up business relationship with you and hope to provide you with the best service and solution. Let us make a better world for our industry!



Contact us

Tel: +86-755-8981 8866 Fax: +86-755-8427 6832

Email & Skype: info@chipsmall.com Web: www.chipsmall.com

Address: A1208, Overseas Decoration Building, #122 Zhenhua RD., Futian, Shenzhen, China





SF2098G

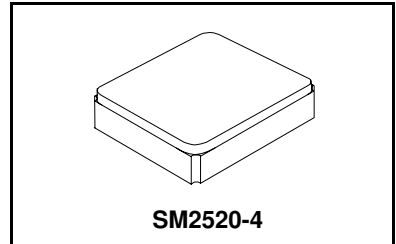
**915.00 MHz
SAW Filter**

- Low-loss SAW Filter
- 2.5 x 2.0 x 1.05 mm Surface-mount Case
- No Matching Circuit Required
- Complies with Directive 2002/95/EC (RoHS)



Absolute Maximum Ratings

Rating	Value	Units
Maximum Incident Power in Passband	+15	dBm
Maximum DC voltage between any Two Terminals	3	VDC
Storage Temperature Range in Tape and Reel	-40 to +85	°C
Maximum Reflow Soldering Profile	265 °C for 10 s	



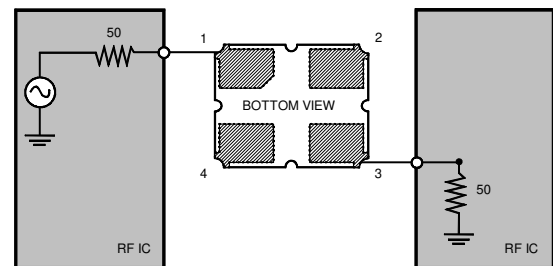
Electrical Characteristics

Characteristic	Sym	Notes	Min	Typ	Max	Units
Center Frequency	f_c			915		MHz
Insertion Loss, 902 to 928 MHz	IL			2.2	3.0	dB
Amplitude Ripple, 902 to 928 MHz				0.5	1.5	dB _{p-p}
VSWR, 902 to 928 MHz				1.6:1	2.2:1	
Attenuation (Reference level from 0 dB)						dB
DC to 800 MHz			45	63		
800 to 870 MHz			40	53		
960 to 1080 MHz			30	40		
1080 to 2000 MHz			35	53		
2000 to 3000 MHz			22	28		
Source impedance	Z_s			50		Ω
Load impedance	Z_L			50		Ω
Operating Temperature	T_A		-40		+85	°C

Single Ended Input / Output, Impedance match	No matching network required for operation at 50 ohms
Case Style	SM2520-4
Lid Symbolization (2C=SF2098G Y=year, W=week)	2C, YW

Electrical Connections

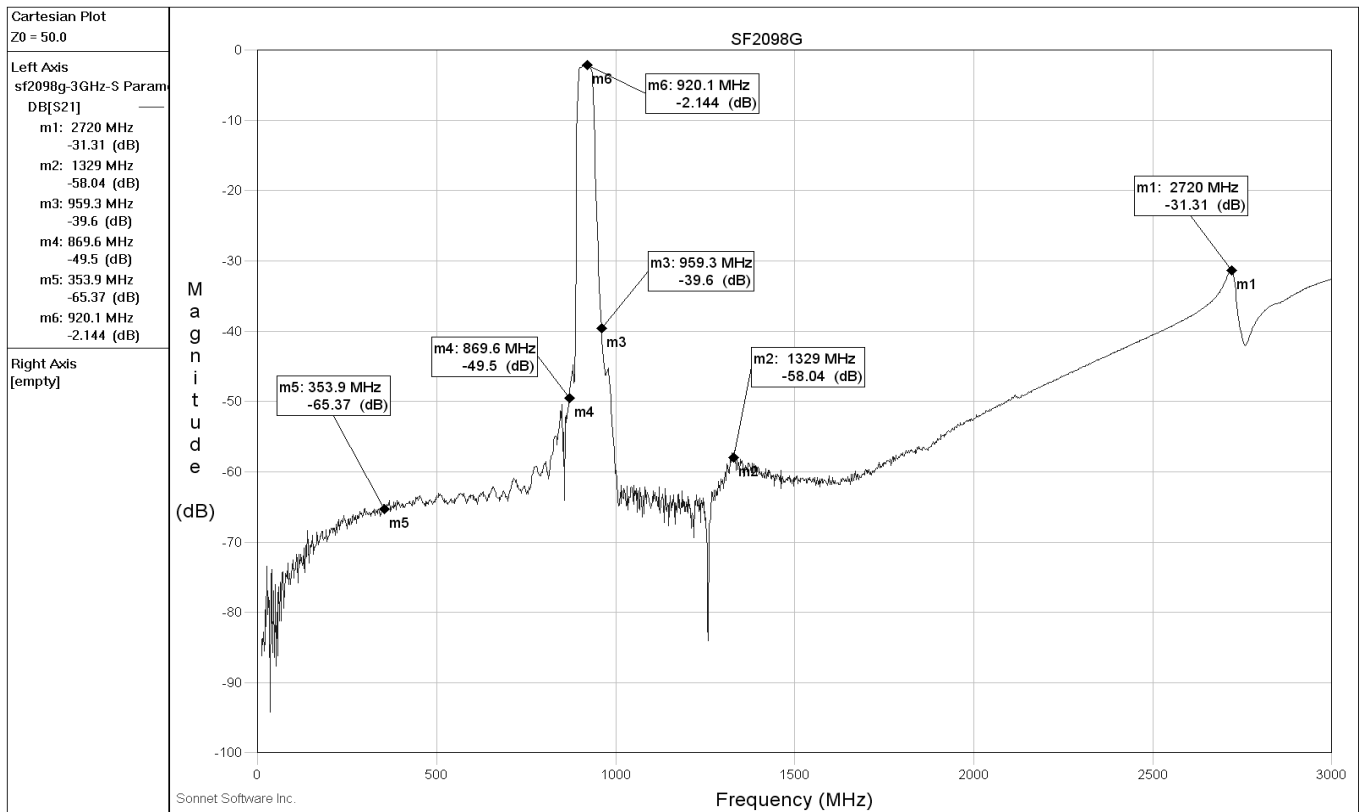
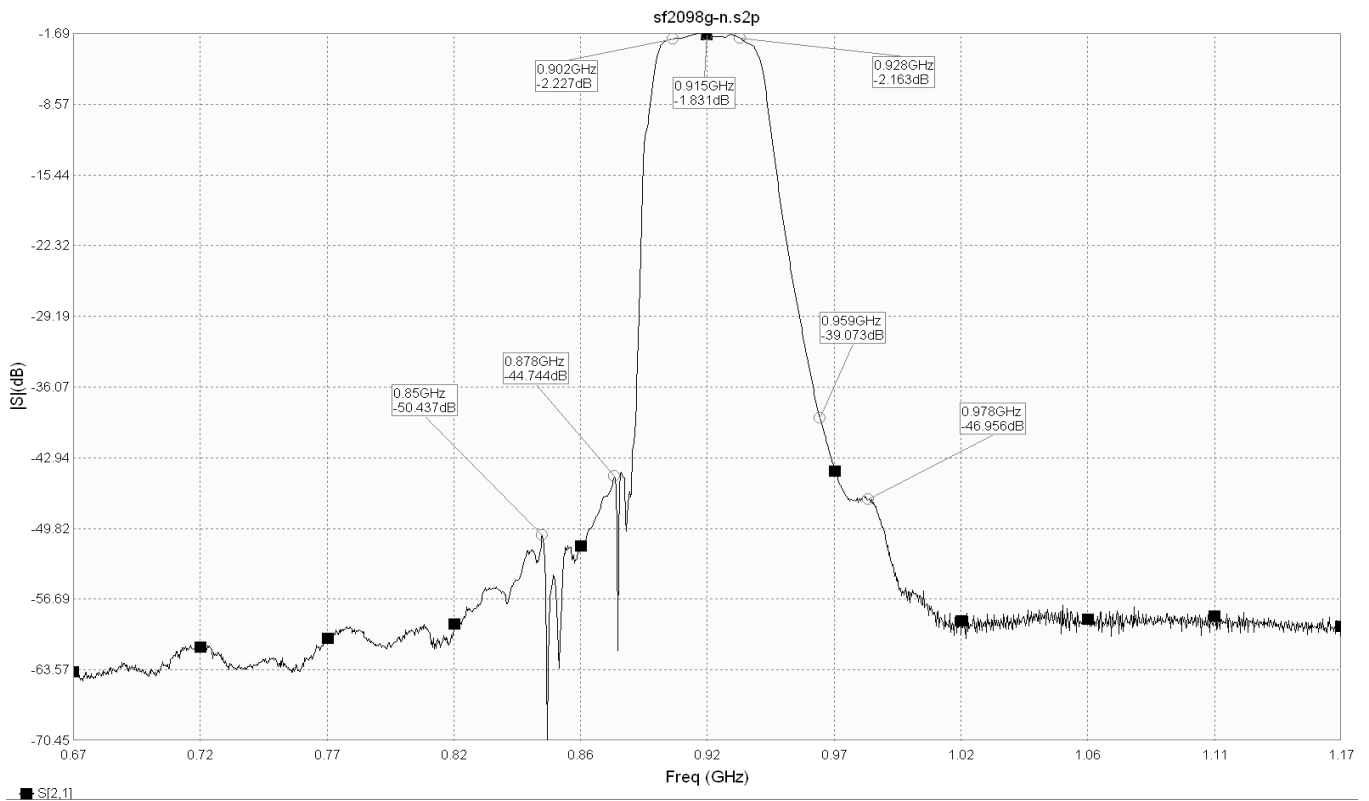
Connection	Terminals
Input	1
Output	3
Ground	All others

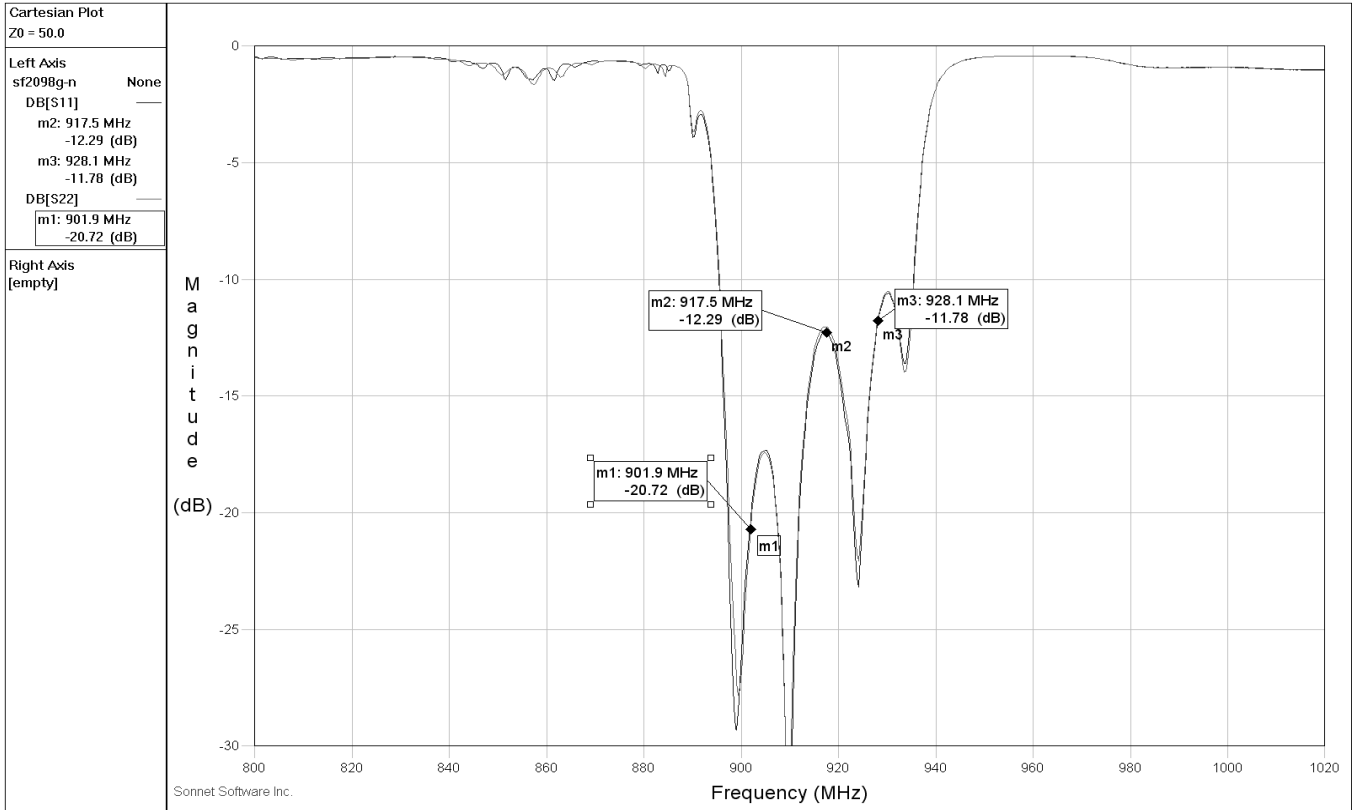


CAUTION: Electrostatic Sensitive Device. Observe precautions for handling.

Notes:

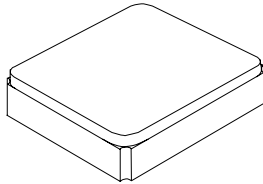
1. US and international patents may apply.
2. RFM, stylized RFM logo, and RF Monolithics, Inc. are registered trademarks of RF Monolithics, Inc.



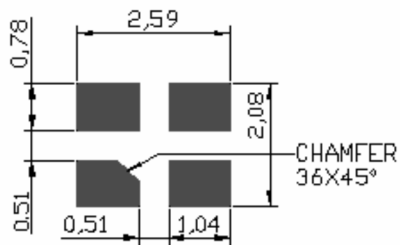


SM2520-4 Case

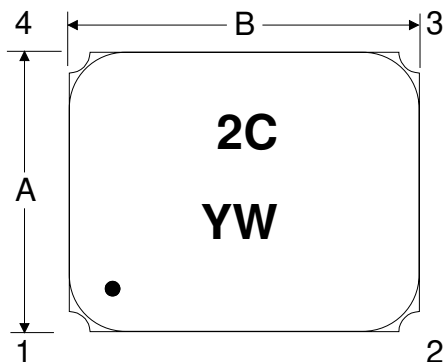
4-Terminal Ceramic Surface-Mount Case 2.5 X 2.0 mm Nominal Footprint



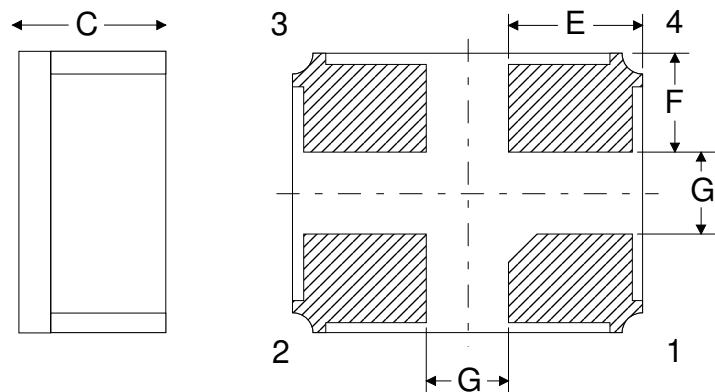
PCB Foot Print



TOP VIEW



BOTTOM VIEW



Case Dimensions

Dimension	mm		
	Nom		
A		2.0	
B		2.5	
C		1.0	
E		0.95	
F		0.70	
G		0.60	

Electrical Connections

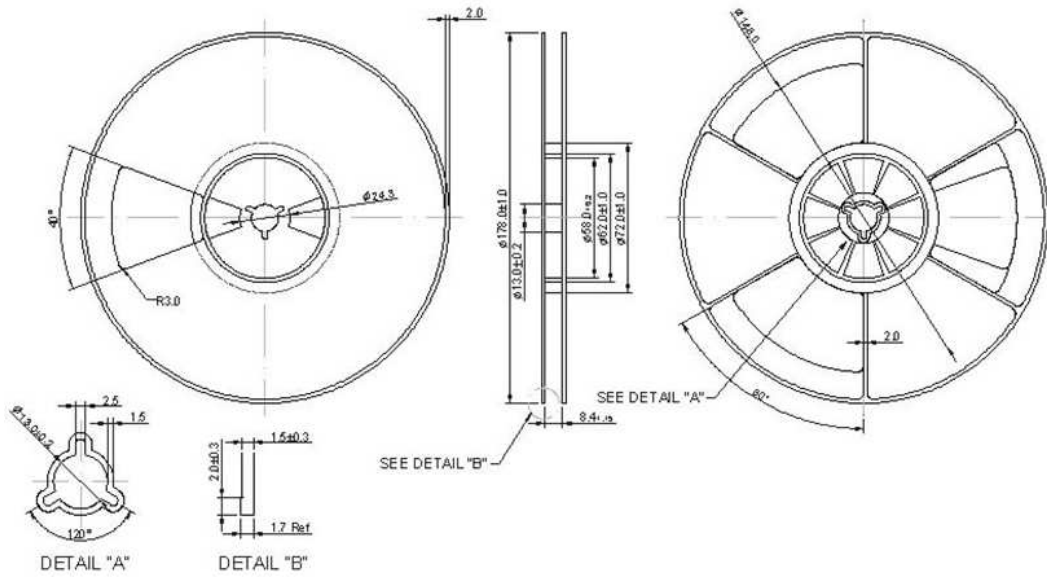
Connection		Terminals
Port 1	Single-ended Input	1
Port 2	Single-ended Output	3
	Ground	All others

Single Ended Operation Only

Materials

Solder Pad Plating	0.3 to 1.0 μm Gold over 1.27 to 8.89 μm Nickel
Lid Plating	2.0 to 3.0 μm Nickel
Body	Al_2O_3 Ceramic
Pb Free	

Reel Dimension



Tape Dimension

