



Chipsmall Limited consists of a professional team with an average of over 10 year of expertise in the distribution of electronic components. Based in Hongkong, we have already established firm and mutual-benefit business relationships with customers from,Europe,America and south Asia,supplying obsolete and hard-to-find components to meet their specific needs.

With the principle of “Quality Parts,Customers Priority,Honest Operation,and Considerate Service”,our business mainly focus on the distribution of electronic components. Line cards we deal with include Microchip,ALPS,ROHM,Xilinx,Pulse,ON,Everlight and Freescale. Main products comprise IC,Modules,Potentiometer,IC Socket,Relay,Connector.Our parts cover such applications as commercial,industrial, and automotives areas.

We are looking forward to setting up business relationship with you and hope to provide you with the best service and solution. Let us make a better world for our industry!



Contact us

Tel: +86-755-8981 8866 Fax: +86-755-8427 6832

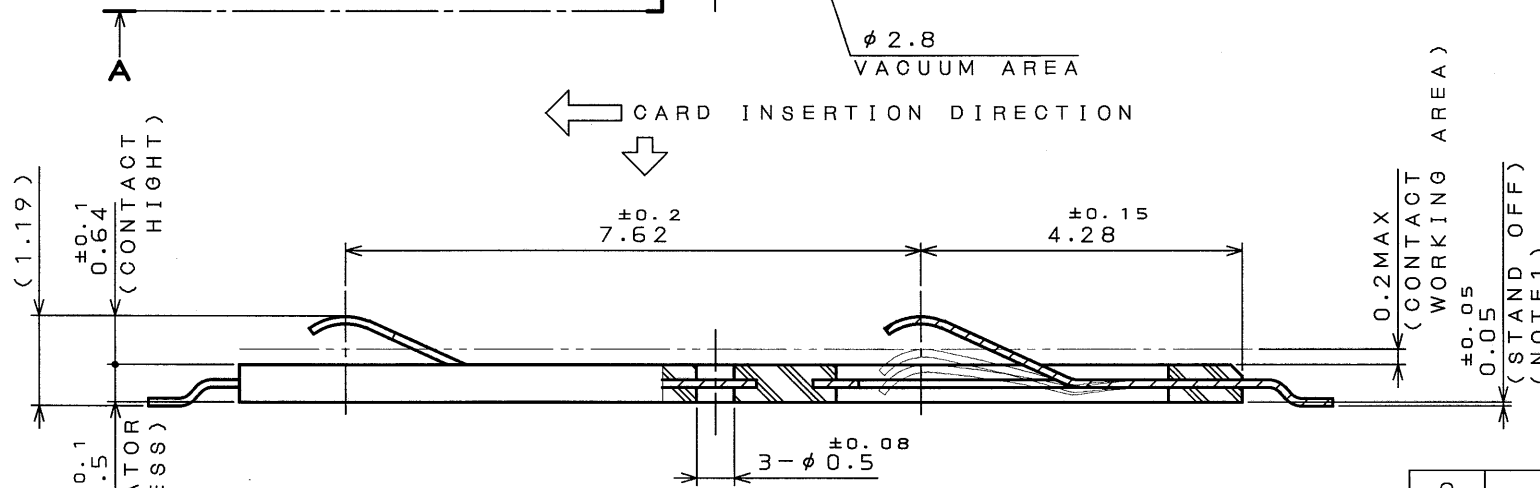
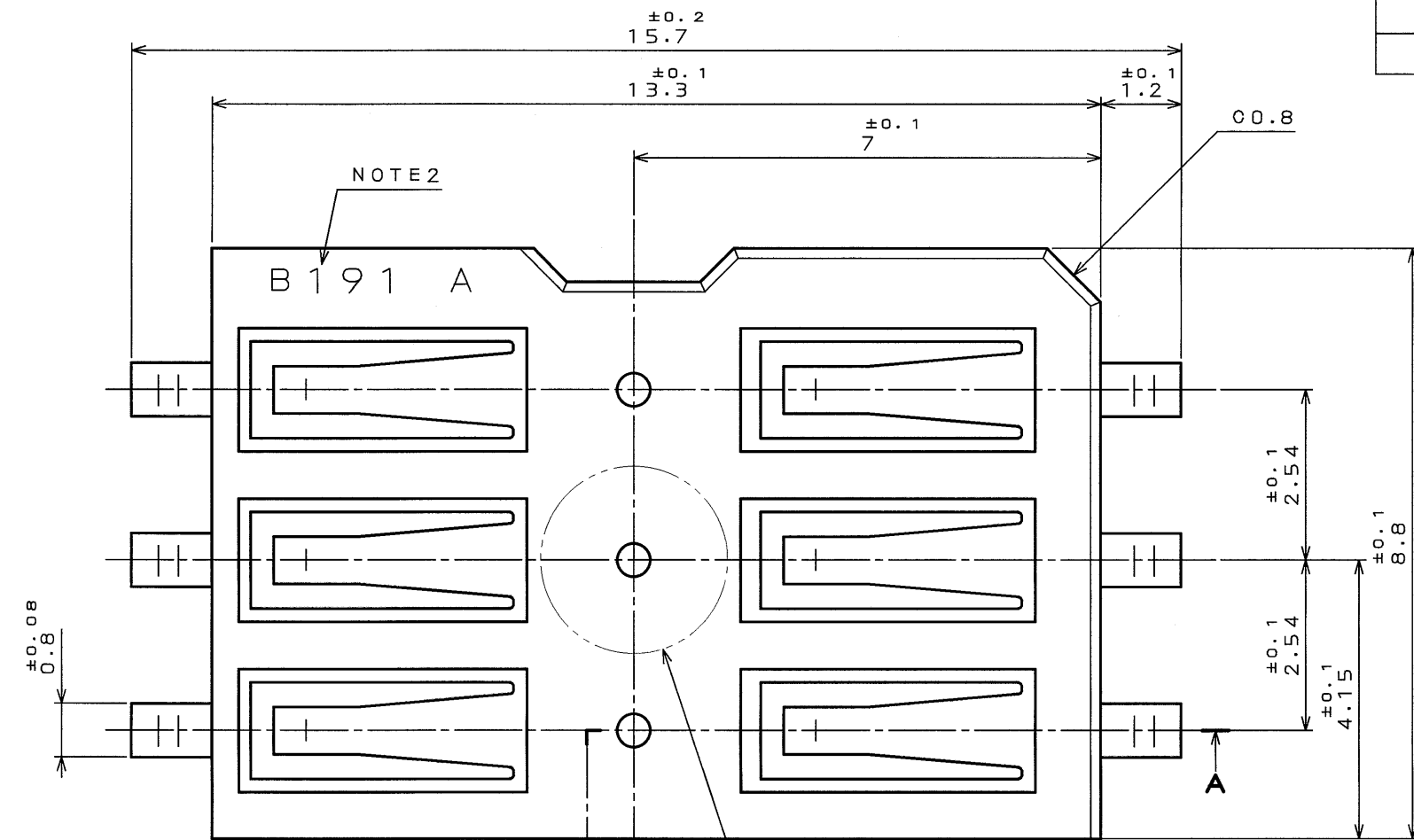
Email & Skype: info@chipsmall.com Web: www.chipsmall.com

Address: A1208, Overseas Decoration Building, #122 Zhenhua RD., Futian, Shenzhen, China

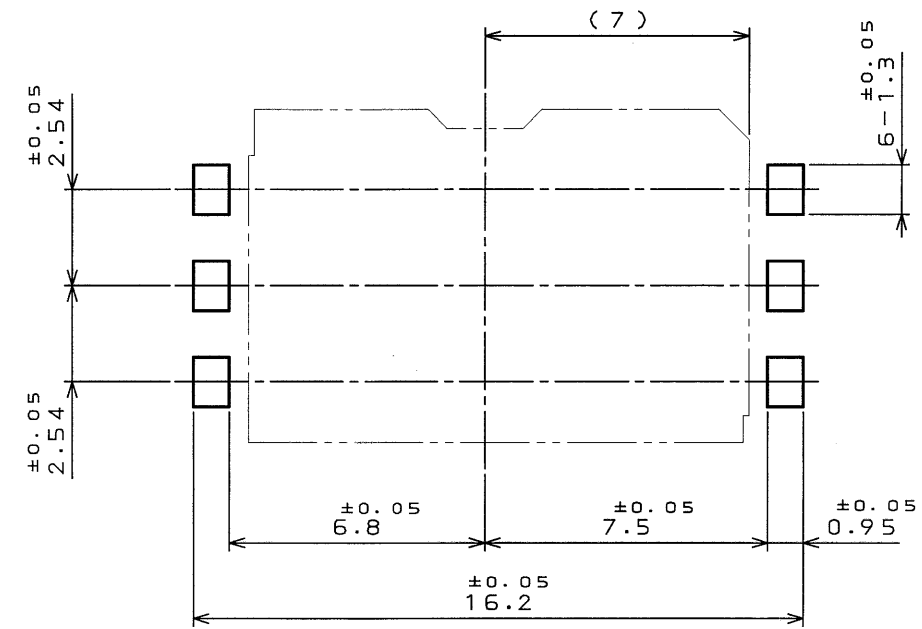


ES09E0RS
(ON 0NIMVHD)台要図

版数 REV.	年月日 DATE	DCN NO.	変更内容 DESCRIPTION	製図 DR.	担当 CHK.	査閲 APPD.	承認 APPD.
2	17.May.2002	49985	CORRECT THE SPECIFICATION NUMBER		A.MATSUNAGA	A.Natori	K.Suzuki



DOF-0-212D(98.02)



APPLICABLE P.C.B. DIMENSION (REF.)

NOTE 1. COPLANARITY SHOULD BE 0.1mm MAX.
NOTE 2. PRODUCTION LOT NUMBER AND CAVITY NUMBER AS INDICATED.

(EX) B 1 9 1 A
CAVITY NUMBER (A, B, ..., n)
LOT NUMBER OF CURRENT MONTH
MONTH (1 TO 9 FOR JAN. TO SEPT. RESPECTIVELY
OCT.: 0, NOV.: X, DEC.: Y)
YEAR (LAST DIGIT ONLY)
MANUFACTURE CODE

SECT. A-A

TABLE 1. CONTACT FINISH

CONTACT AREA	TERMINAL AREA
GOLD 0.5μm MIN OVER NICKEL	GOLD 0.03~0.08μm OVER NICKEL

2	INSULATOR	1	GLASS FILLED Ny	UL94 V-0 COLOR: BLACK	
1	CONTACT	6	COPPER ALLOY	TABLE 1	
符号 NO.	名称 DESCRIPTION	個数 QTY.	材料 MATERIAL	仕上 FINISH	備考 REMARKS
仕様書 (SPECIFICATION)		第1版 (ORIGINAL DATE)		尺度 (SCALE)	
△ JACS-1556-7		2.Jul.2001		10:1 SF2	
公差 (GENERAL TOLERANCE)		製図 DR.		名称 (TITLE)	
寸法 (DIMENSION)		担当 CHK.		SF2W006S4K	
角度 (ANGLES)		査閲 APPD.		重量 (WEIGHT)	
. ±0.8		A.MATSUNAGA		⊕	
.X ±0.4		A.NATORI		⊖	
.XX ±0.1		承認 APPD.		図面番号 (DRAWING NO.)	
.XXX ±		K.SUZUKI		SJ036053	

CDS-01-170-10385
SIZE A3