



Chipsmall Limited consists of a professional team with an average of over 10 year of expertise in the distribution of electronic components. Based in Hongkong, we have already established firm and mutual-benefit business relationships with customers from,Europe,America and south Asia,supplying obsolete and hard-to-find components to meet their specific needs.

With the principle of "Quality Parts,Customers Priority,Honest Operation,and Considerate Service",our business mainly focus on the distribution of electronic components. Line cards we deal with include Microchip,ALPS,ROHM,Xilinx,Pulse,ON,Everlight and Freescale. Main products comprise IC,Modules,Potentiometer,IC Socket,Relay,Connector.Our parts cover such applications as commercial,industrial, and automotives areas.

We are looking forward to setting up business relationship with you and hope to provide you with the best service and solution. Let us make a better world for our industry!



## Contact us

Tel: +86-755-8981 8866 Fax: +86-755-8427 6832

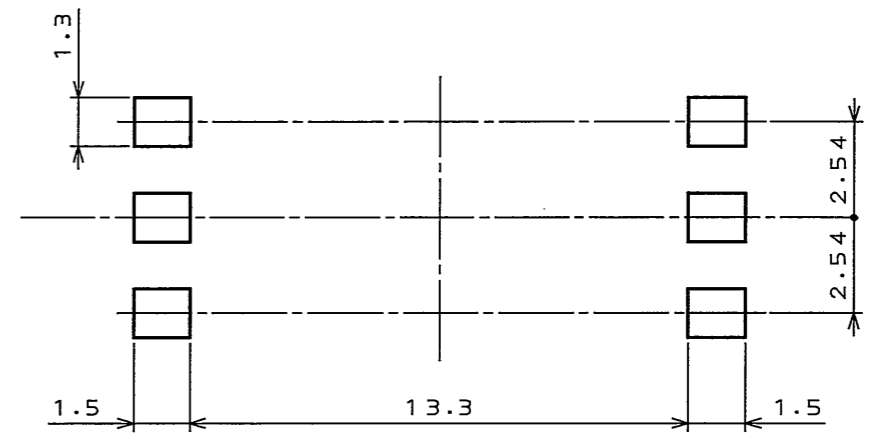
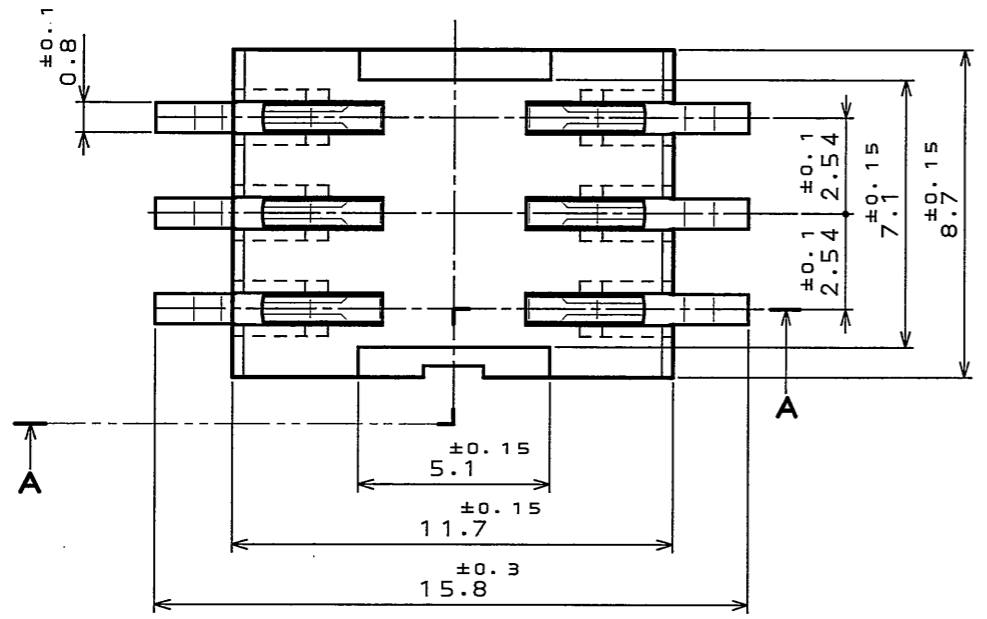
Email & Skype: info@chipsmall.com Web: www.chipsmall.com

Address: A1208, Overseas Decoration Building, #122 Zhenhua RD., Futian, Shenzhen, China

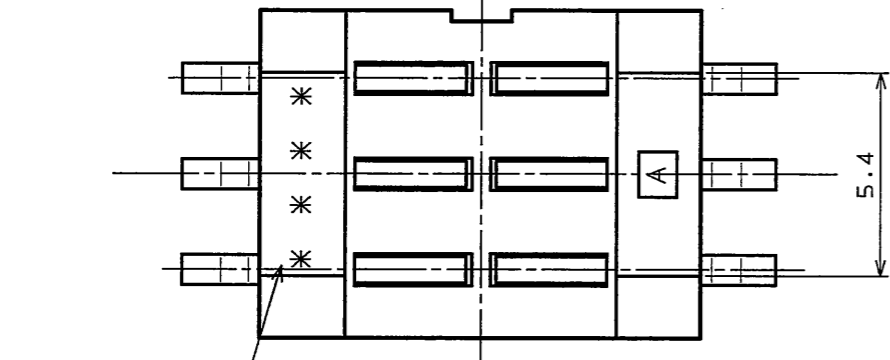
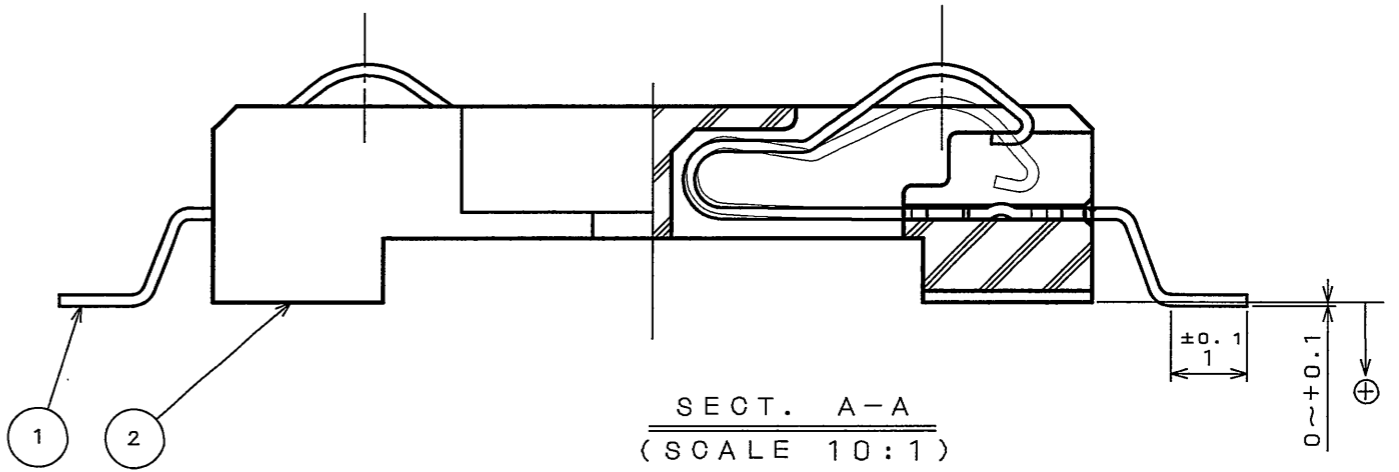
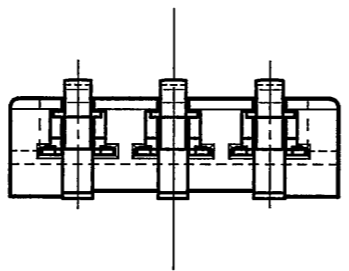
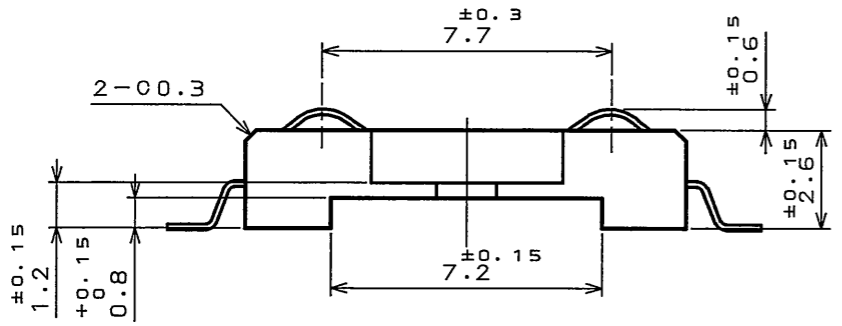


版数 REV.	年月日 DATE	DCN NO.	変更内容 DESCRIPTION	製図 DR.	担当 CHK.	査閲 APPD.	承認 APPD.

図面番号(DRAWING NO.) SJ104181



APPLICABLE P.C.B. DIMENSION (REF.)  
適合基板寸法(参考)



LOT NUMBER

TABLE1. CONTACT FINISH

CONTACT AREA	TERMINAL AREA
GOLD (0.03μm MIN) OVER PALLADIUM-NICKEL(0.4μmMIN) OVER NICKEL	Au FLUSH OVER NIKEL

2	INSULATOR	1	GLASS FILLED PPS	UL94 V-0
1	CONTACT	6	COPPER ALLOY	TABLE1
符号 NO.	名称 DESCRIPTION	個数 QTY.	材料 MATERIAL	仕上 FINISH
仕様書(SPECIFICATION)	第1版(ORIGINAL DATE)	尺度(SCALE)	シリーズ(SERIES)	備考 REMARKS
JACS-1556	12.Apr.2005	5:1	SF2	日本航空電子工業株式会社 JAPAN AVIATION ELECTRONICS INDUSTRY, LTD.
公差(GENERAL TOLERANCE)	製図 DR.	名称(TITLE)	SF2W006S9AE	
寸法(DIMENSION)	担当 CHK. A.MATSUNA0A	質量(MASS)		
角度(ANGLES)	査閲 APPD.			
. ±0.8 X° ± .XX ±0.4 X°X' ± .XXX ±	承認 APPD. <i>a.Natori</i>			
図面番号(DRAWING NO.)				版数 (REV.)
SJ104181				1

DOF-C-212E(03.08)

